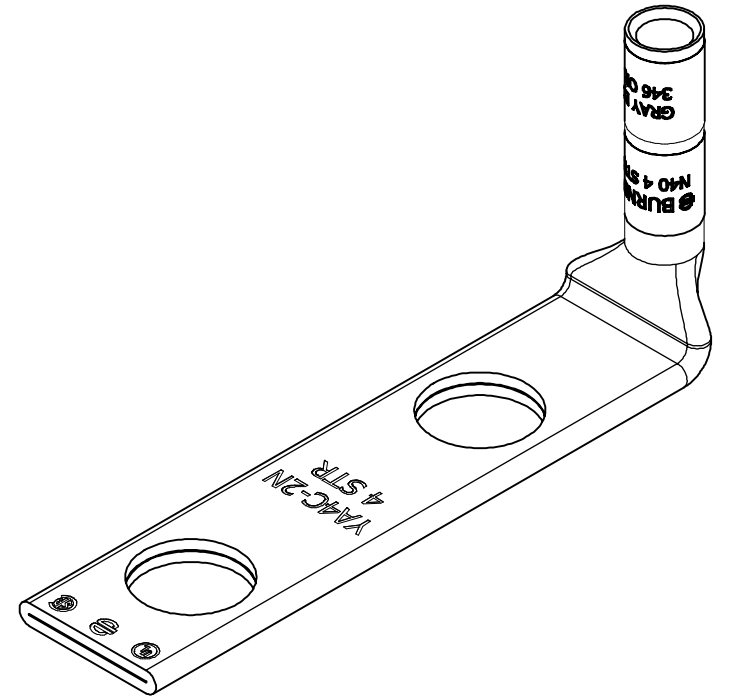
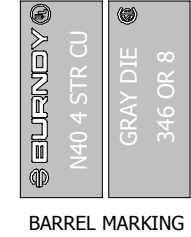
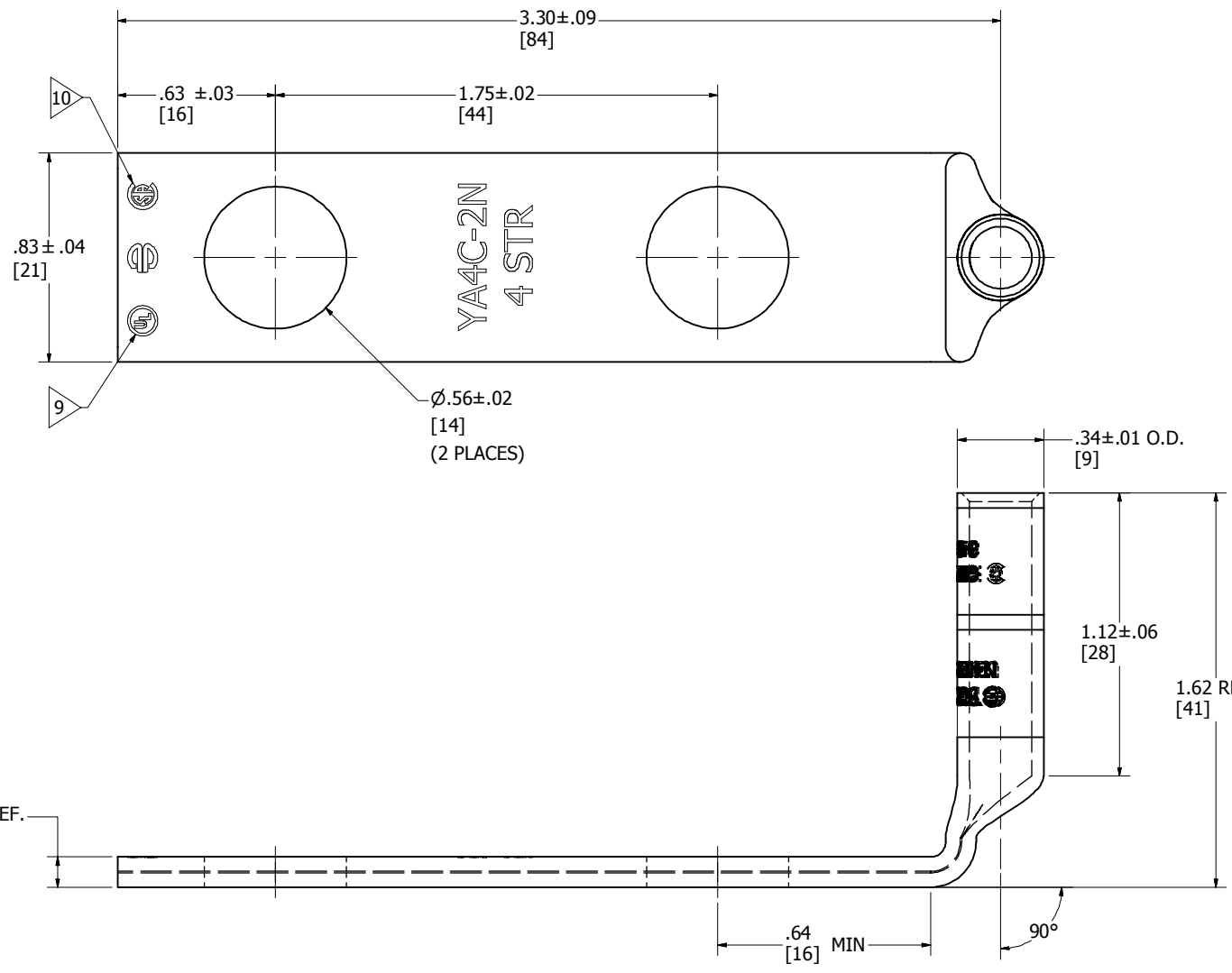


STRANDED COPPER CONDUCTOR ACCOMMODATED			BOLT SIZE	METRIC BOLT SIZE	COLOR CODE	DIE INFORMATION		MECHANICAL RATCHET					HYDRAULIC					DIELESS (# CRIMPS)	WIRE STRIP LENGTH		
CODE (AWG)	NAVY	METRIC SIZE (CLASS 2)				DIE INDEX	TYPE	YIMRTC	OUR840	MD6 MD7	MD6--R2	MD7-34R	Y500CT PAT600	Y34A Y34B Y34BH	Y35, Y39, Y750, PAT750	Y46	Y45			Y48B	Y60BHU
#4 AWG	40	----	1/2	M12	GRAY	8 346	GRAY DIE SET	GRAY (4)	X4CRT (2)	W4CRT (2) W4CVT (2)	W4CRT (2) W4CVT (2)	W4CRT (2) W4CVT (2)	X4CRT (2) W4CRT (2) W4CVT (2)	----	U4CRT (2) UACABT (2)	U4CRT (2) U6CABT (2)	U4CRT (2) U6CABT (2)	----	----	MECHNAICAL: MY29-3 (2), MY29 - 11(2) MRC - 840 (2) HYDRAULIC: Y644M (1) PAT644M (1) Y81K - SERIES (1) PAT81K - SERIES (1) Y81KFT - SERIES (2) Y4PC834 - SERIES (2)	1-3/16"
							NEST	----	----	----	----	----	----	B4CD (1) A4CD (1)	U4CD - 1 (1)	U4CD - 1 (1)	U4CD - 1 (1)	----	----		
							INDENTOR	----	----	----	----	----	----	Y34PR	Y34PR	Y34PR	Y34PR	----	----		

REV	DATE	DESCRIPTION	ECO	BY	CHK
A	9/05/2012	NEW SALES DRAWING CREATED	28711	HM	MA



NOTES:

- MATERIAL: COPPER TUBING
- FINISH: TIN PLATED.
- CATALOG # PT6515 ADAPTOR IS REQUIRED TO USE "U" DIES IN Y45 SERIES TOOLS.
- CATALOG # PUADP-1 ADAPTOR IS REQUIRED TO USE "U" DIES IN Y46 SERIES TOOLS.
- Y35P3 INDENTOR ADAPTOR REQUIRED FOR Y34PR INDENTOR.
- PERMANENT DIE IN TOOLING.
- DIMENSIONS IN BRACKETS [] ARE IN MILLIMETERS ROUNDED OFF TO THE NEAREST MILLIMETER, UNLESS OTHERWISE NOTED, AND ARE FOR REFERENCE ONLY.
- FOR USE BY CUSTOMERS THAT HAVE THIS HYPRESS.™ NO NEW Y34A HYPRESS™ TOOLS ARE BEING PROCESSED. Y34A USES A--D TYPE NEST DIES.
- CONNECTORS ARE UL LISTED.
- CONNECTORS ARE CSA CERTIFIED.
- "X", "W-RT", "W-VT", "U", & "L" DIE SETS ARE COLOR CODED. "A", "B", AND "C" DIES ARE NOT COLOR CODED. NESTS AND INDENTOR TYPE ARE NOT COLOR CODED.

TO ORDER BURNDY® PRODUCTS CALL		HYLUG™	
UNITED STATES 1-800-346-4175 (LONDONDERRY, NH)		ITEM NO: 10015607	
CANADA: 1-800-361-6975 (QUEBEC) 1-800-387-6487 (ALL OTHER PROVINCES)		CAT. NO: YA4C2N90	
FOR PRODUCT INFO: http://www.burndy.com		DRAWN BY: HMALHOTRA 9/5/2012	
		CHECKER: J. MICHAUD 1/24/2013	
		DSN APRVL: R. ROMAN 2/14/2013	
		MFG APRVL: M. KNAPTON 1/31/2013	
		QA APRVL: T. WATTS 1/24/2013	
		MKT APRVL: J. SYLVIA 1/29/2013	
		PROD FAM: CM&R COMPRESSION	
		DRAWING NO	
		50008579	
		REV	
		A	
		SHEET 1 OF 1	