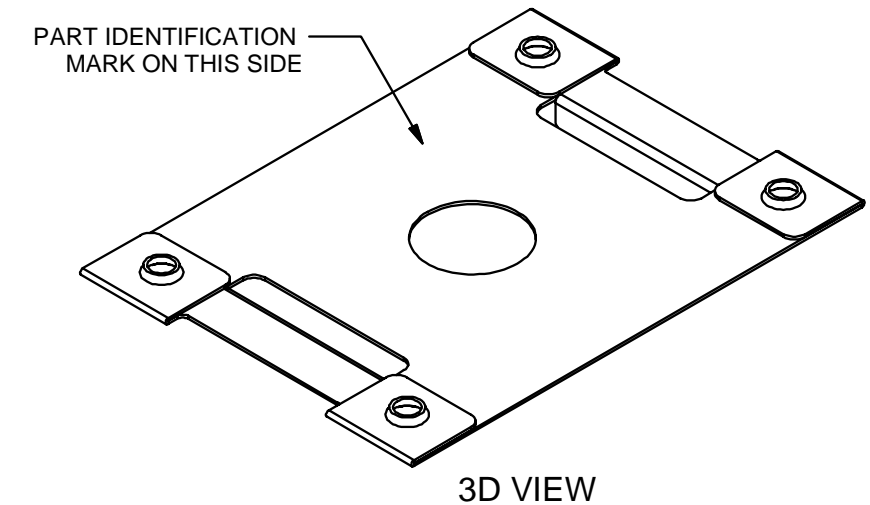
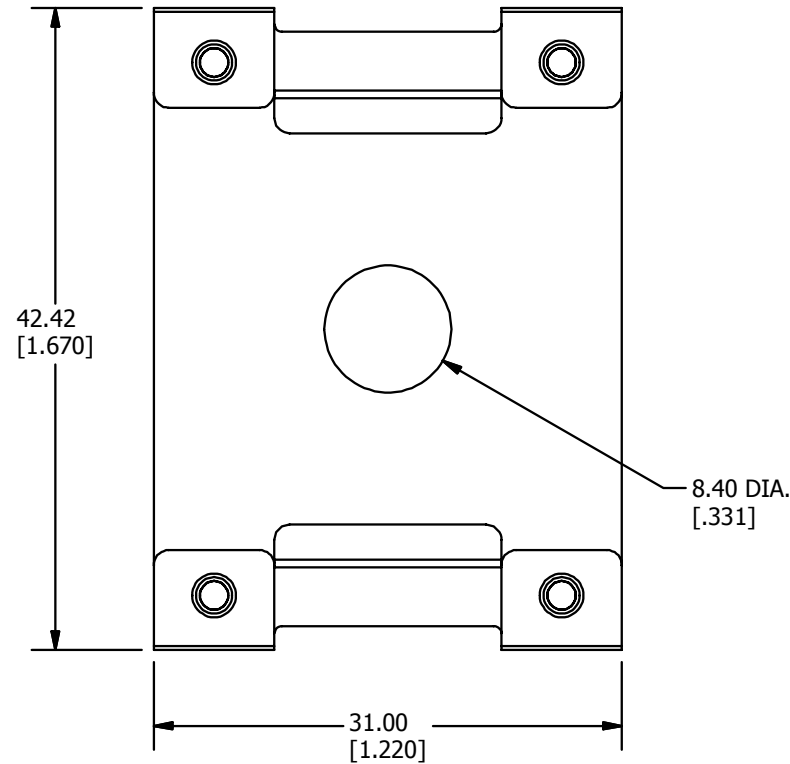
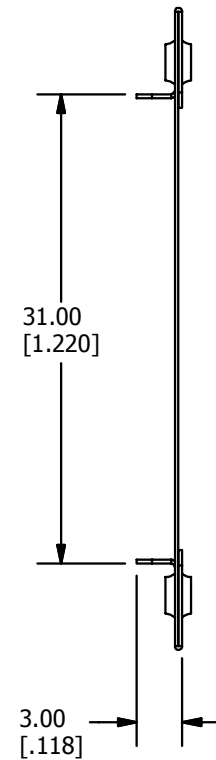
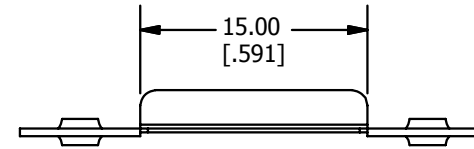
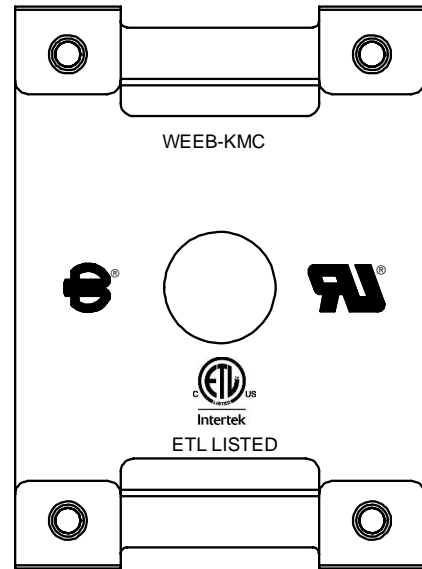


REV	DATE	DESCRIPTION	ECO	BY	C'H'K.
C	12/18/2012	UPDATE LOGO DETAILS FOR CAT.# WEEB-KMC	29851	KR	KP



NOTES:

1. MATERIAL: 304 STAINLESS
2. DIMENSIONS IN BRACKETS [] ARE IN INCHES ROUNDED OFF TO THE NEAREST TENTH, UNLESS OTHERWISE SPECIFIED AND ARE FOR REFERENCE ONLY.

<p>TO ORDER BURNDY PRODUCTS CALL</p> <p>UNITED STATES 1-800-346-4175 (LONDONDERRY, NH)</p> <p>CANADA: 1-800-361-6975 (QUEBEC) 1-800-387-6487 (ALL OTHER PROVINCES)</p> <p>FOR PRODUCT INFO: http://www.burndy.com</p>	EQUIPMENT BOND			
	ITEM NO: 30020091			
	CAT. NO: WEEB-KMC			
	DRAWN BY: M KOVILRAJ	1/4/2013		
	CHECKER: T OLENICK	3/11/2013		
	DSN APRVL: T OLENICK	3/11/2013		
	MFG APRVL: --			
	QA APRVL: C KOWALCZYK	3/15/2013		
	MKT APRVL: S PARSONS	3/9/2013		
	PROD FAM:		DRAWING NO	REV
PROJECT #:	SIZE	50008793	C	
DOCUMENT TYPE: Sales	B	SHEET 1 OF 1		
REL LEVEL: Released				