

REV	DATE	DESCRIPTION	ECO	BY	CHK.
C	2020-02-19 00:00:00 EST	CATALOG NUMBER WCY122 AND WCY140 ADDED TO THE ATTACHED SALES DRAWING 50008861 SHEET 2	53063	YR	SS

D

D

C

C

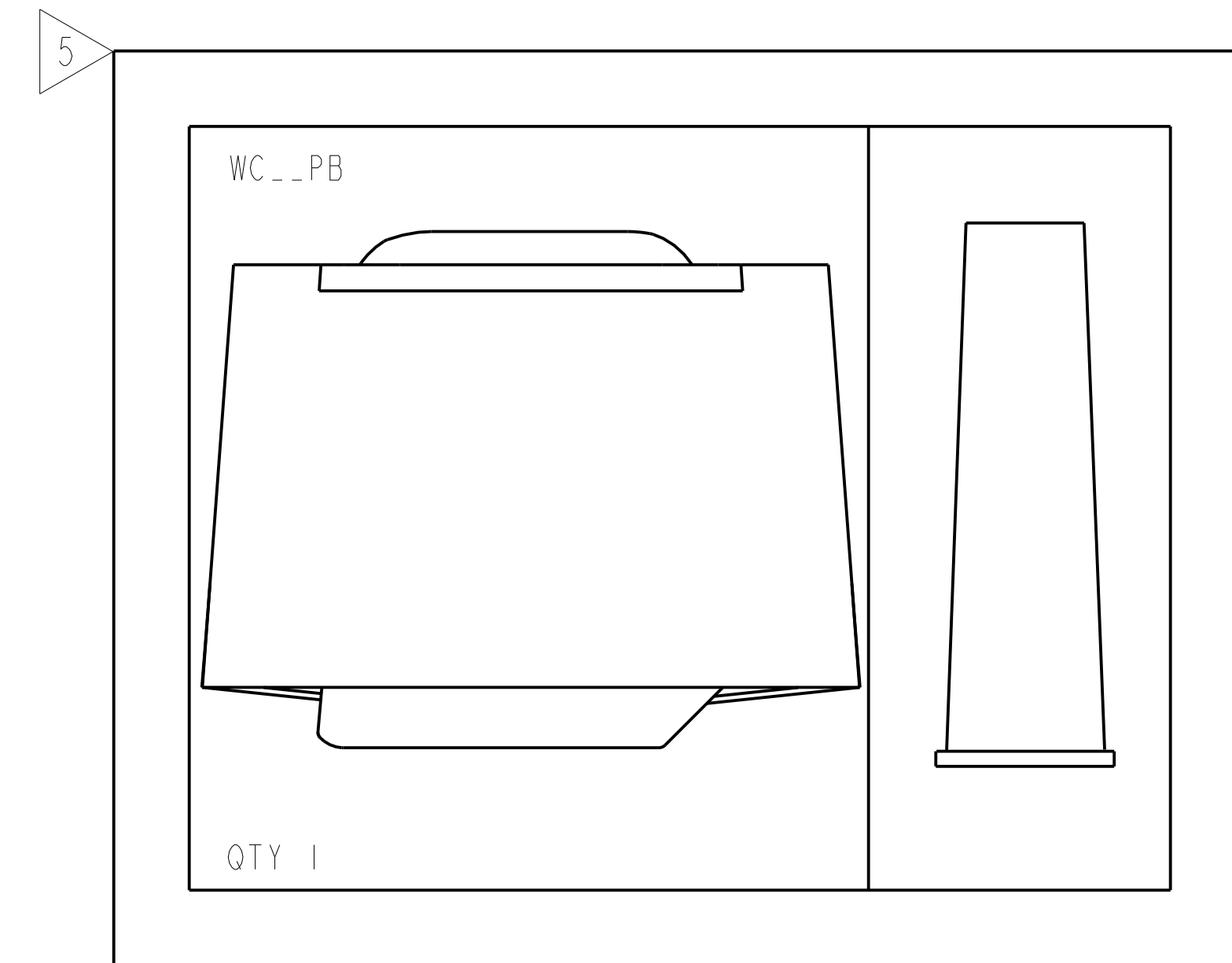
B

B

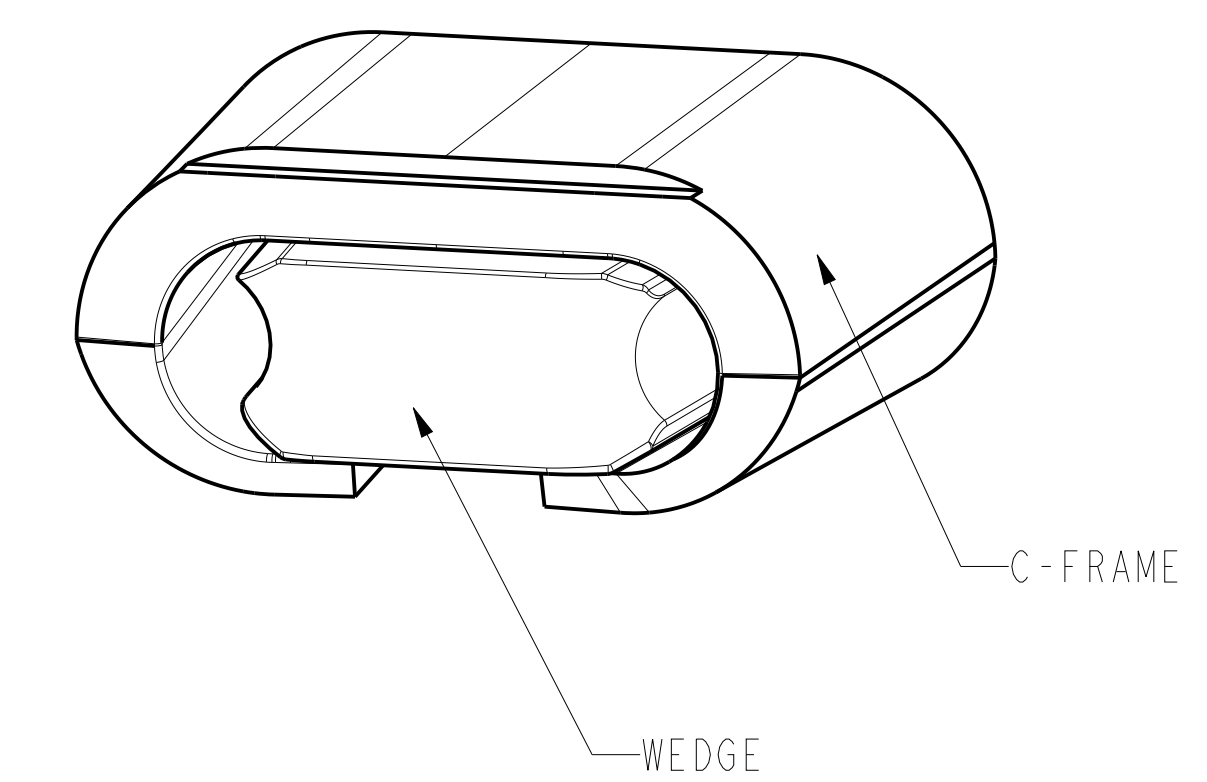
A

A

Catalog Number	Sum of Diameters		Run		Tap	
	Max	Min	Max	Min	Max	Min
Installed with red booster						
WCR29	0.723	0.584	0.398	0.257	0.398	0.257
WCR30	0.649	0.516	0.398	0.257	0.325	0.206
WCR31	0.602	0.464	0.398	0.257	0.258	0.162
WCR32	0.530	0.410	0.326	0.204	0.258	0.162
WCR33	0.459	0.331	0.258	0.169	0.230	0.162
WCR34	0.324	0.256	0.162	0.128	0.162	0.128
WCR35	0.560	0.452	0.398	0.257	0.162	0.128
WCR36	0.487	0.387	0.398	0.257	0.162	0.128
WCR37	0.416	0.297	0.258	0.169	0.162	0.128
Installed with blue booster						
WCB10	0.795	0.621	0.482	0.316	0.437	0.257
WCB11	0.901	0.763	0.568	0.364	0.457	0.257
WCB12	0.707	0.526	0.568	0.364	0.204	0.162
WCB13	0.761	0.600	0.568	0.364	0.258	0.204
WCB14	0.839	0.690	0.568	0.364	0.398	0.257
WCB15	0.769	0.622	0.568	0.364	0.204	0.162
WCB16	0.823	0.664	0.568	0.364	0.258	0.204
WCB17	0.963	0.804	0.568	0.364	0.464	0.257
WCB18	1.011	0.867	0.568	0.364	0.572	0.364
WCB19	1.068	0.938	0.568	0.364	0.572	0.379
WCB20	1.130	0.975	0.568	0.364	0.572	0.386
WCB21	0.846	0.711	0.650	0.532	0.204	0.162
WCB22	0.900	0.765	0.650	0.532	0.258	0.204
WCB23	0.972	0.818	0.650	0.532	0.330	0.257
WCB24	1.052	0.897	0.650	0.532	0.500	0.324
WCB25	1.104	0.963	0.650	0.532	0.562	0.364
WCB26	1.163	1.015	0.650	0.532	0.562	0.409
WCB27	1.221	1.080	0.650	0.532	0.575	0.460
WCB28	1.284	1.141	0.650	0.532	0.650	0.525
WCB40	0.888	0.762	0.684	0.603	0.204	0.162
WCB41	0.942	0.794	0.684	0.600	0.258	0.204
WCB42	1.011	0.857	0.684	0.600	0.333	0.257
WCB43	1.094	0.936	0.684	0.600	0.500	0.324
WCB44	1.146	1.009	0.684	0.600	0.562	0.364
WCB45	1.204	1.057	0.684	0.600	0.562	0.409
WCB46	1.284	1.119	0.684	0.600	0.592	0.460
WCB47	1.368	1.188	0.684	0.600	0.684	0.600



TYPICAL PACKAGING



NOTES:

1. PENETROX™PENX-1530 APPLIED TO THE SHELL GROOVE AND TO THE WEDGE GROOVE.
2. PACKAGED INDIVIDUALLY, WEDGE ASSEMBLED IN SHELL, ENCASED IN HEAT SHRINK POLYETHYLENE WITH PRODUCT LABEL COVERING WEDGE MARKING.
3. BOX QTY= 10 PER CARTON.
4. BULK QTY OF 25 PER CARTON TO HAVE "A" SUFFIX (EXAMPLE: WCR29A).

5. TO ORDER ASSEMBLY WITH POWER BOOSTER INCLUDED, ADD SUFFIX "PB" TO CATALOG NUMBER (EXAMPLE: WCR29PB). PACKAGE ONE LARGE ASSEMBLED CONNECTOR IN LARGE POCKET, AND ONE BOOSTER(CAT#WPBRNA) IN THE SMALL POCKET WITH LARGE END DOWN.

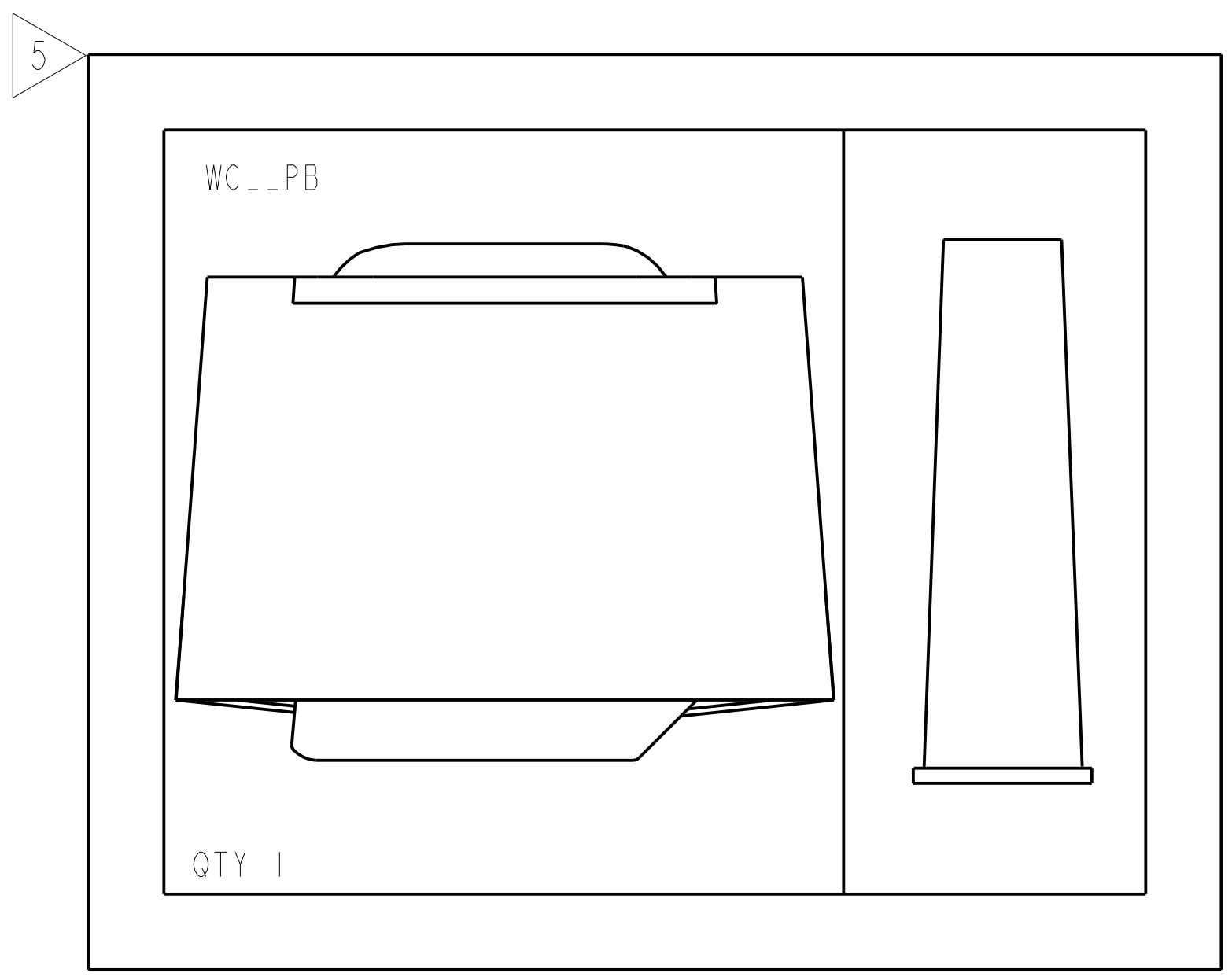
TO ORDER BURNDY® PRODUCTS CALL		WEJTAP™ ASSEMBLY	
UNITED STATES 1-800-346-4175 (LONDONDERRY, NH)		ITEM NO: N/A	CAT. NO: WCR--, WCB-- (TABLE)
CANADA: 1-800-361-6975 (QUEBEC) 1-800-387-6487 (ALL OTHER PROVINCES)		DRAWN BY: M SAKTHIVELU 09/11/12	CHECKER: T PLANTE 09/13/12
FOR PRODUCT INFO: http://www.burndy.com		DSN APPVL: T PLANTE 09/13/12	MFG APPVL: B CRUTCHER 09/13/12
		QA APPVL: C ACKERMAN 10/01/12	MKT APPVL: --
		PROD FAM: OH DISTRIBUTION&TRANS	DRAWING NO: 50008861
		PROJECT #: --	SCALE: 2:1
		DOCUMENT TYPE: Sales	REV: C
		REL LEVEL: Released	SHEET 1 OF 2

REV: PEO200

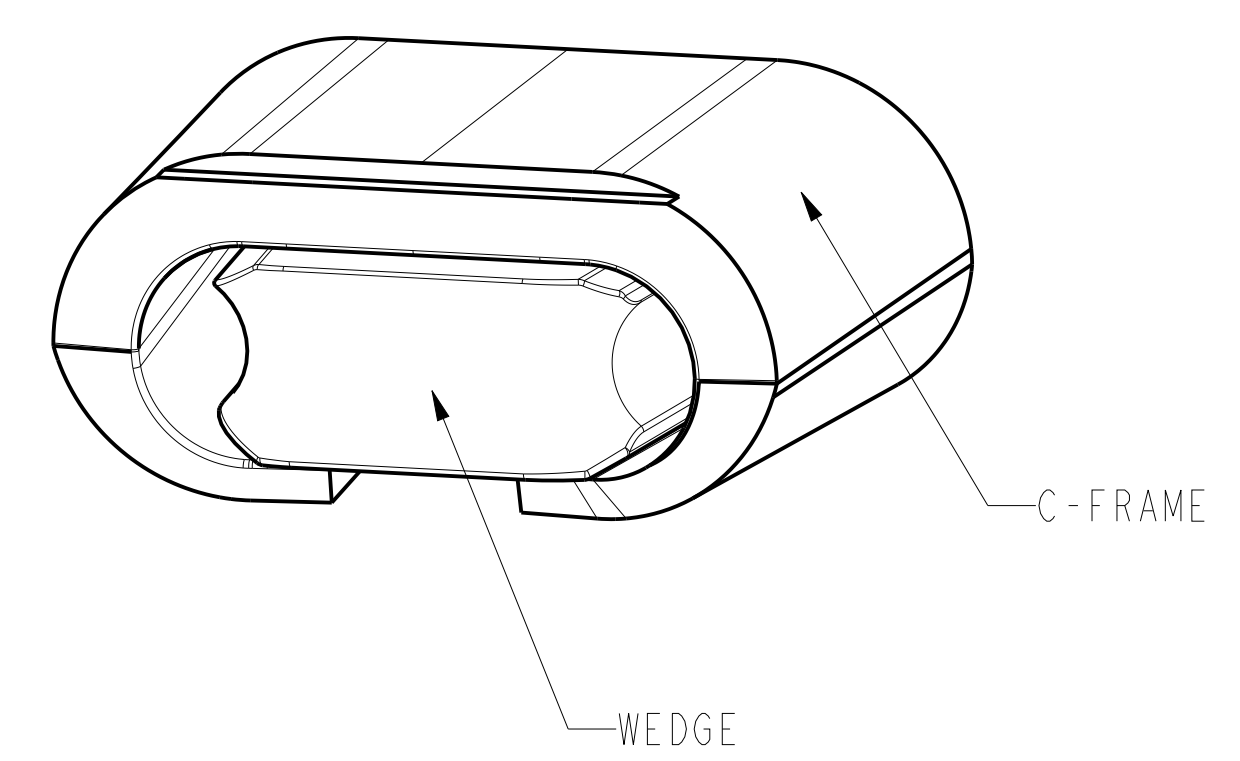
REV	DATE	DESCRIPTION	ECO	BY	C'K
C	2020-02-19 00:00:00 EST	CATALOG NUMBER WCY122 AND WCY140 ADDED TO THE ATTACHED SALES DRAWING 50008861 SHEET 2	53063	YR	SS

Catalog Number	Sum of Diameters		Run		Tap	
	Max	Min	Max	Min	Max	Min
Installed with yellow booster						
WCY48	0.932	0.765	0.750	0.537	0.204	0.162
WCY49	1.012	0.807	0.750	0.537	0.271	0.203
WCY50	1.069	0.860	0.750	0.537	0.355	0.257
WCY51	1.141	0.927	0.750	0.537	0.557	0.324
WCY52	1.190	1.001	0.750	0.537	0.588	0.364
WCY53	1.236	1.012	0.750	0.537	0.619	0.409
WCY54	1.302	1.063	0.750	0.537	0.630	0.460
WCY55	1.370	1.140	0.750	0.537	0.714	0.499
WCY56	1.456	1.245	0.750	0.537	0.750	0.524
WCY57	1.190	0.979	0.893	0.666	0.326	0.257
WCY58	1.087	0.931	0.893	0.666	0.258	0.198
WCY59	1.061	0.891	0.893	0.666	0.199	0.162
WCY60	1.854	1.686	0.950	0.722	0.950	0.722
WCY61	1.741	1.524	0.940	0.683	0.940	0.666
WCY62	1.594	1.379	0.940	0.683	0.750	0.573
WCY63	1.500	1.297	0.940	0.683	0.750	0.481
WCY64	1.421	1.216	0.940	0.683	0.650	0.436
WCY65	1.360	1.147	0.940	0.683	0.562	0.382
WCY66	1.305	1.097	0.940	0.683	0.562	0.336
WCY67	1.270	1.054	0.940	0.683	0.450	0.315
WCY68	1.253	1.115	0.940	0.683	0.326	0.257
WCY69	1.187	1.059	0.940	0.683	0.262	0.204
WCY70	1.130	1.013	0.940	0.683	0.204	0.162
WCY71	2.216	2.047	1.133	0.907	1.156	0.947
WCY72	2.133	1.999	1.133	0.907	1.142	0.927
WCY73	2.098	1.946	1.133	0.907	1.142	0.907
WCY74	2.035	1.891	1.133	0.907	1.142	0.858
WCY75	1.969	1.822	1.133	0.889	0.927	0.763
WCY76	1.901	1.741	1.133	0.889	0.900	0.700
WCY77	1.829	1.677	1.133	0.889	0.750	0.575
WCY78	1.750	1.599	1.133	0.889	0.729	0.525
WCY79	1.670	1.526	1.133	0.889	0.722	0.364
WCY80	1.610	1.466	1.133	0.889	0.608	0.364
WCY81	1.555	1.411	1.133	0.889	0.608	0.364
WCY82	1.506	1.362	1.133	0.889	0.436	0.324
WCY83	1.440	1.288	1.133	0.889	0.398	0.257
WCY84	1.369	1.221	1.133	0.889	0.333	0.203
WCY85	1.306	1.158	1.133	0.889	0.258	0.162

Catalog Number	Sum of Diameters		Run		Tap	
	Max	Min	Max	Min	Max	Min
Installed with yellow booster						
WCY86	2.496	2.332	1.250	0.893	1.250	0.999
WCY87	2.418	2.251	1.250	0.893	1.250	0.856
WCY88	2.354	2.194	1.250	0.893	1.211	0.971
WCY89	2.297	2.137	1.250	0.893	1.200	0.923
WCY90	2.238	2.083	1.250	0.893	1.159	0.868
WCY91	2.173	2.013	1.250	0.893	1.130	0.856
WCY92	2.104	1.950	1.250	0.893	0.904	0.720
WCY93	2.029	1.869	1.250	0.893	0.900	0.700
WCY94	1.967	1.831	1.250	0.893	0.750	0.588
WCY95	1.888	1.728	1.250	0.893	0.722	0.525
WCY96	1.811	1.648	1.250	0.893	0.609	0.364
WCY97	1.748	1.591	1.250	0.893	0.598	0.385
WCY98	1.695	1.533	1.250	0.893	0.598	0.364
WCY99	1.644	1.489	1.250	0.893	0.398	0.324
WCY100	1.572	1.400	1.250	0.893	0.351	0.257
WCY102	1.454	1.284	1.250	0.893	0.198	0.162
WCY103	2.604	2.484	1.302	1.242	1.302	1.242
WCY122	2.764	2.562	1.422	1.314	1.342	1.248
WCY140	3.045	2.090	1.533	1.471	1.547	1.471



TYPICAL PACKAGING



NOTES:

1. PENETROX™ PENX-1530 APPLIED TO THE SHELL GROOVE AND TO THE WEDGE GROOVE.
2. PACKAGED INDIVIDUALLY, WEDGE ASSEMBLED IN SHELL, ENCASED IN HEAT SHRINK POLYETHYLENE WITH PRODUCT LABEL COVERING WEDGE MARKING.
3. BOX QTY= 10 PER CARTON.
4. BULK QTY OF 25 PER CARTON TO HAVE "A" SUFFIX (EXAMPLE: WCR29A).

5. TO ORDER ASSEMBLY WITH POWER BOOSTER INCLUDED, ADD SUFFIX "PB" TO CATALOG NUMBER (EXAMPLE: WCR29PB). PACKAGE ONE LARGE ASSEMBLED CONNECTOR IN LARGE POCKET, AND ONE BOOSTER(CAT#WPBRNA) IN THE SMALL POCKET WITH LARGE END DOWN.

TO ORDER BURNDY® PRODUCTS CALL
 UNITED STATES
 1-800-346-4175 (LONDONDERRY, NH)
 CANADA:
 1-800-361-6975 (QUEBEC)
 1-800-387-6487 (ALL OTHER PROVINCES)
 FOR PRODUCT INFO: <http://www.burndy.com>

WEJTAP™ ASSEMBLY			
ITEM NO:	N/A	DRAWING NO:	50008861
CAT. NO:	WCY--(TABLE)	REV:	C
DRAWN BY:	M SAKTHIVELU 09/11/12	SCALE:	2:1
CHECKER:	T PLANTE 09/13/12	PROJECT #:	--
DSN APPVL:	T PLANTE 09/13/12	DOCUMENT TYPE:	Sales
MFG APPVL:	B CRUTCHER 09/13/12	REL LEVEL:	Released
QA APPVL:	C ACKERMAN 10/01/12		
MKT APPVL:	--		
PROD FAM:	OH DISTRIBUTION&TRANS		

REV: PE0200