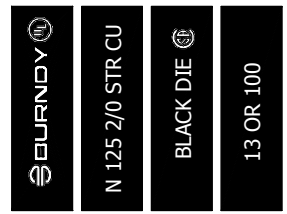
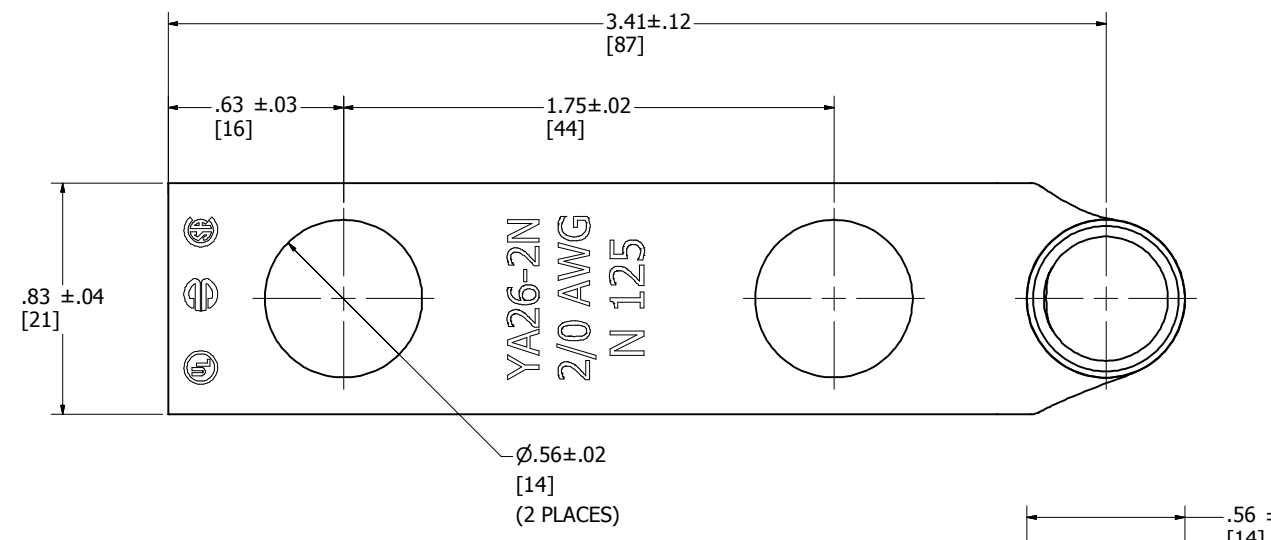
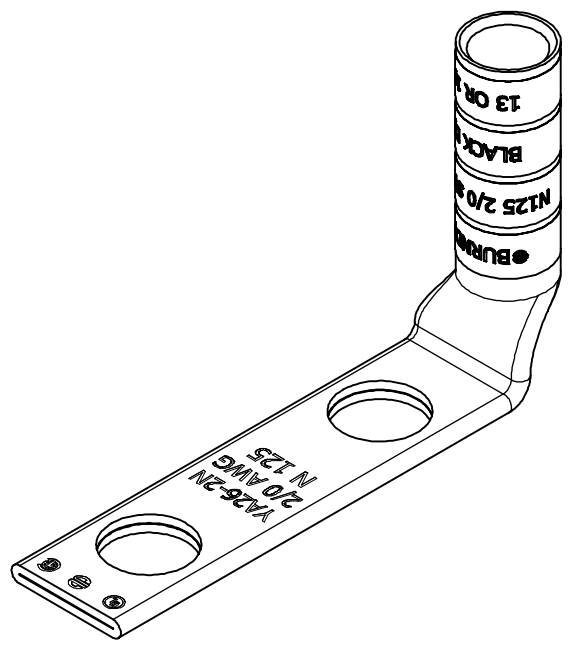


STRANDED COPPER CONDUCTOR ACCOMMODATED			BOLT SIZE	METRIC BOLT SIZE	COLOR CODE	DIE INFORMATION		MECHANICAL RATCHET						HYDRAULIC						DIELESS (# CRIMPS)	WIRE STRIP LENGTH
CODE (AWG)	NAVY	METRIC SIZE (CLASS 2)				DIE INDEX	TYPE	YIMRTC	OUR840	MD6 MD7	MD6--R2 MD7-34R	PATMD6 PAT600	Y34A Y34B Y34BH	Y35, Y39 Y750, PAT750	Y46 PAT46	Y45	Y48B	Y60BHU			
2/0 AWG	125	70mm ² STR [11]	1/2	M12	BLACK	13	BLACK DIE SET	----	X26RT (4)	W26RT (4) W26VT (4)	W26RT (4) W26VT (4)	W26RT (4) W26VT (4)	----	U26RT (2)	U26RT (2)	U26RT (2)	----	----	MECHNAICAL: MY29-3 (2), MY29 - 11(2), MRC - 840 (4)	1 - 9/16"	
							NEST	----	----	----	----		B26D (1) A26D (1) Y34PR	U26D 1 (1) Y34PR	U26D 1 (1) Y34PR	U26D 1 (1) Y34PR	----	----	HYDRAULIC: Y644 (1) PAT644 (1) Y81KFT - SERIES (2) Y4PC834 - SERIES (2)		

REV	DATE	DESCRIPTION	ECO	BY	C'H'K
A	11/26/2012	NEW SALES DRAWING CREATED	29055	SS	MA

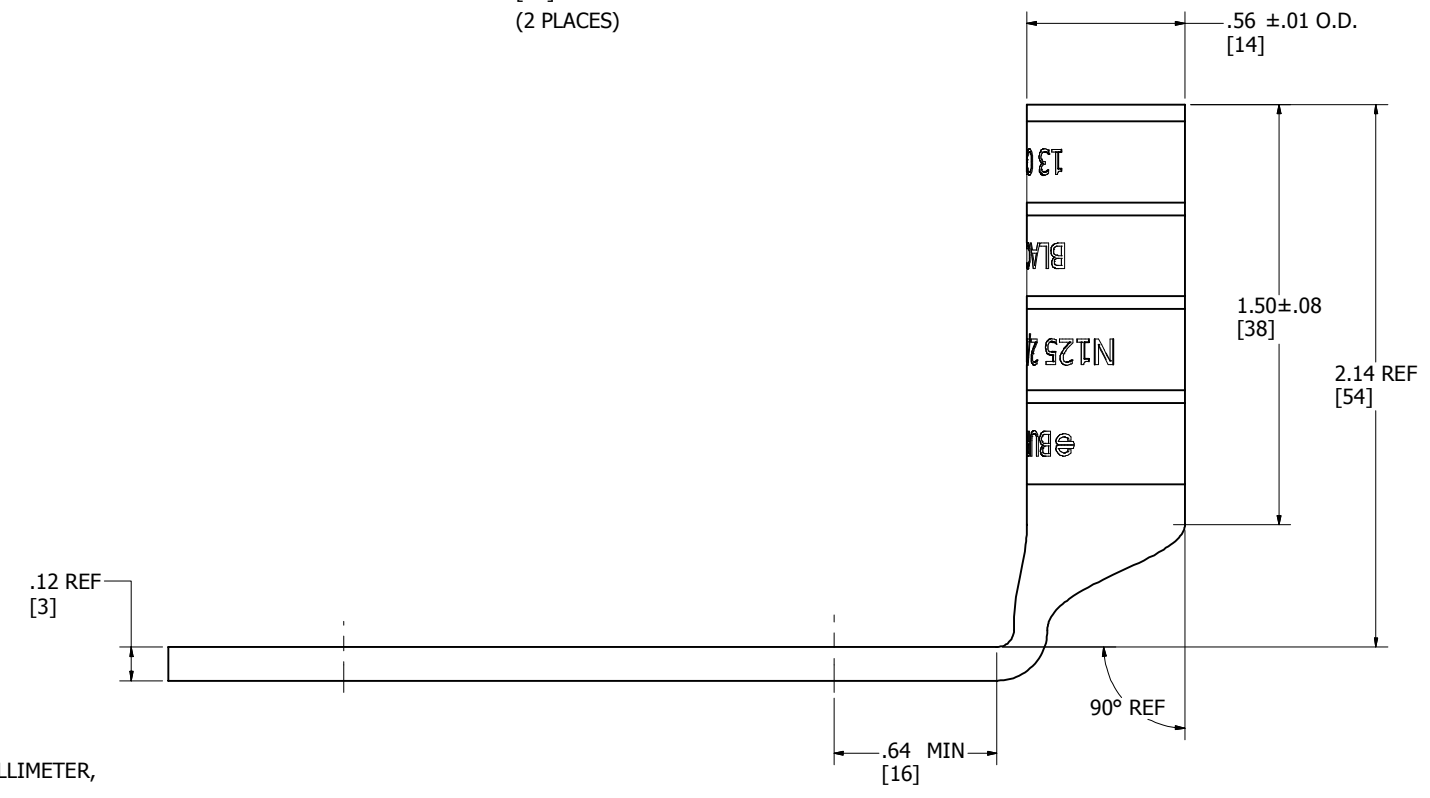


BARREL MARKING



NOTES:

- MATERIAL: COPPER TUBING
- FINISH: TIN PLATED.
- CATALOG # PT6515 ADAPTOR IS REQUIRED TO USE "U" DIES IN Y45 SERIES TOOLS.
- CATALOG # PUADP-1 ADAPTOR IS REQUIRED TO USE "U" DIES IN Y46 SERIES TOOLS.
- Y35P3 INDENTOR ADAPTOR REQUIRED FOR Y34PR INDENTOR.
- PERMANENT DIE IN TOOLING.
- DIMENSIONS IN BRACKETS [] ARE IN MILLIMETERS ROUNDED OFF TO THE NEAREST MILLIMETER, UNLESS OTHERWISE NOTED, AND ARE FOR REFERENCE ONLY.
- FOR USE BY CUSTOMERS THAT HAVE THIS HYPRESS™ NO NEW Y34A HYPRESS™ TOOLS ARE BEING PROCESSED. Y34A USES A--D TYPE NEST DIES.
- UL LISTED AND CSA CERTIFIED WIRE CONNECTOR.
- "X", "W-RT", "W-VT", "U", & "L" DIE SETS ARE COLOR CODED. "A", "B", AND "C" DIES ARE NOT COLOR CODED. NESTS AND INDENTOR TYPE ARE NOT COLOR CODED.



TO ORDER BURNDY® PRODUCTS CALL		HYLUG™	
UNITED STATES 1-800-346-4175 (LONDONDERRY, NH)		ITEM NO: 50240F	
CANADA: 1-800-361-6975 (QUEBEC) 1-800-387-6487 (ALL OTHER PROVINCES)		CAT. NO: YA262N90	
FOR PRODUCT INFO: http://www.burndy.com		DRAWN BY: S. SRIRAM 11/26/2012	
		CHECKER: J. MICHAUD 05/02/2013	
		DSN APRVL: R. ROMAN 04/26/2013	
		MFG APRVL: M. KNAPTON 03/18/2013	
		QA APRVL: T. WATTS 03/18/2013	
		MKT APRVL: J. SYLVIA 05/03/2013	
PROD FAM: CM&R COMPRESSION	DRAWING NO	REV	
PROJECT #: --	SIZE	50009104	A
DOCUMENT TYPE: SALES	D		
REL LEVEL: Released			