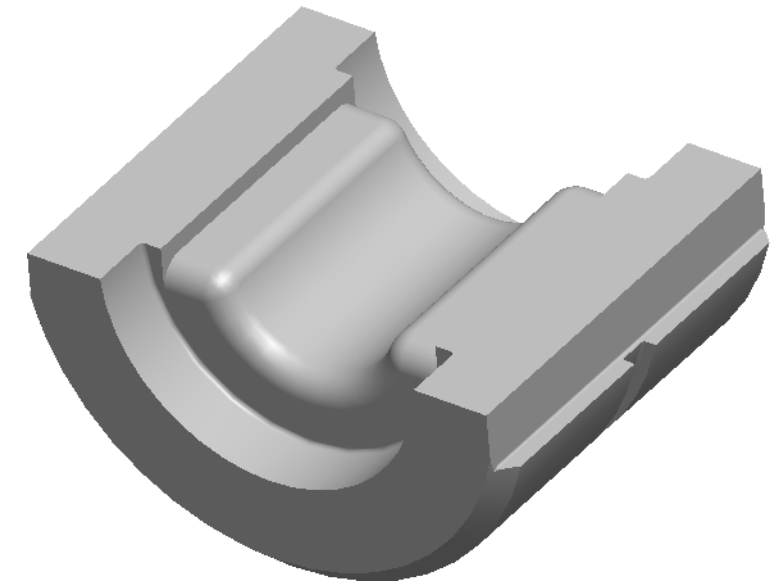
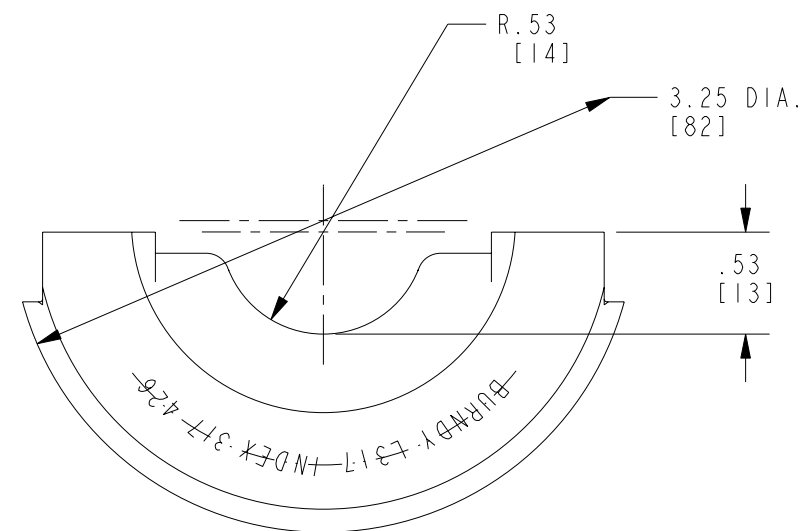
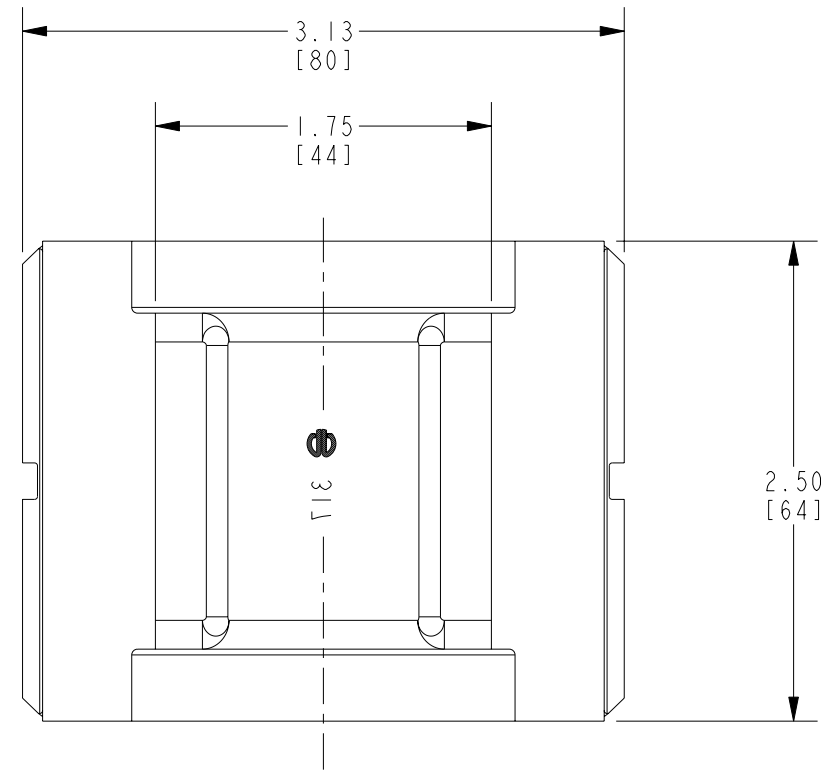


REV.	DATE	DESCRIPTION	ECO	BY	C'H'K.
A	09/21/2012 00:00:00 AM	CREATE SALES DRAWING FOR CAT.# L317.	28834	MRA	MB



REV: PE0200

NOTES:

- DIMENSIONS IN BRACKETS [] ARE IN MILLIMETERS ROUNDED OFF TO THE NEAREST MILLIMETER, UNLESS OTHERWISE SPECIFIED AND ARE FOR REFERENCE ONLY.

TO ORDER BURNDY® PRODUCTS CALL

UNITED STATES:
1-800-346-4175 (LONDONDERRY, NH)

CANADA:
1-800-361-6975 (QUEBEC)
1-800-387-6487 (ALL OTHER PROVINCES)

FOR PRODUCT INFO: <http://www.burndy.com>

CIRCULAR TWIN DIE

ITEM NO: 455317		DRAWING NO		REV	
CAT. NO: L317		50009311		A	
DRAWN BY: M RAMESH	09/21/12	BURNDY		SCALE: 1:1	
CHECKER: L BROWN	05/23/13				
DSN APPVL: L BROWN	05/23/13	PROJECT #:		SIZE	
MFG APPVL: --	--	TOOLS, HYDRAULIC		B	
QA APPVL: J BRODEUR	05/24/13	MKT APPVL: M RZASA		05/28/13	
PROD FAM: TOOLS, HYDRAULIC		REL LEVEL: Released		SHEET 1 OF 1	