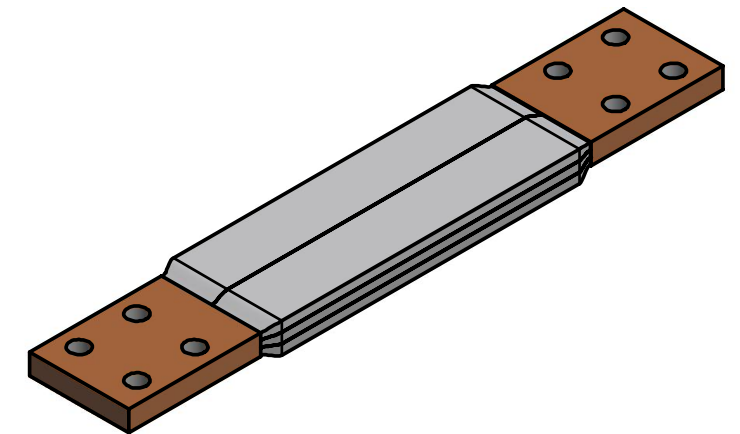
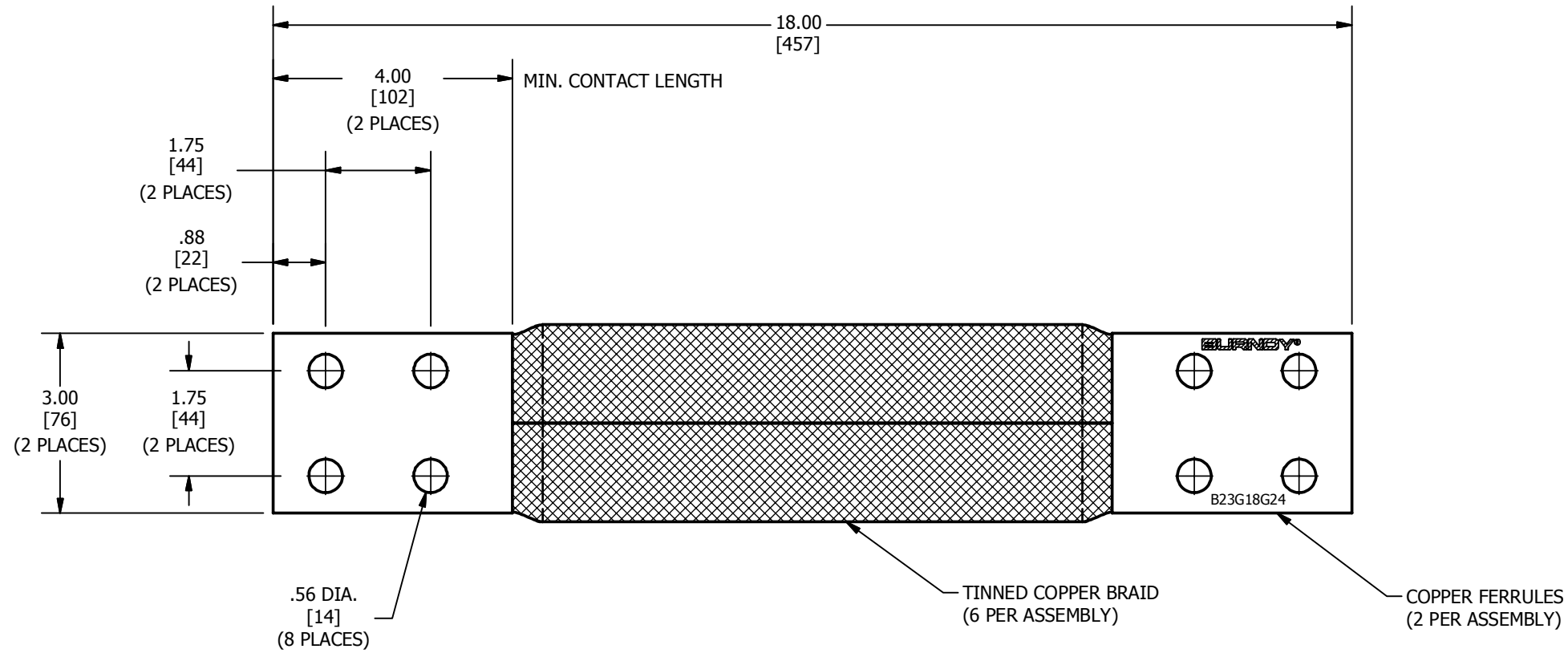


REV	DATE	DESCRIPTION	ECO	BY	CHK.
B	11/28/2012	UPDATED AS PER MARKUP	29548	MA	PB



NOTES:

- APPROXIMATE AMP RATING: 1500A. THIS RATING MAY VARY WITH AMBIENT CONDITIONS, ORIENTATION OF THE BRAID, AND OTHER SERVICE CONDITIONS.
- DIMENSIONS IN BRACKETS [] ARE IN MILLIMETERS ROUNDED OFF TO THE NEAREST MILLIMETER, UNLESS OTHERWISE NOTED, AND ARE FOR REFERENCE ONLY.

TO ORDER BURNDY® PRODUCTS CALL		BRAID	
UNITED STATES 1-800-346-4175 (LONDONDERRY, NH)		ITEM NO: 50009449	
CANADA: 1-800-361-6975 (QUEBEC) 1-800-387-6487 (ALL OTHER PROVINCES)		CAT. NO: B23G18G24	
FOR PRODUCT INFO: http://www.burndy.com		DRAWN BY: K.KATHIRAVAN 10/11/2012	
		CHECKER: E.MARTIN 11/2/2012	
		DSN APRVL: R.CRUIZ 11/5/2012	
		MFG APRVL: --	
		QA APRVL: J.MEDINA 11/8/2012	
		MKT APRVL: K.ROBICHEAU 11/1/2012	
		PROD FAM: MECHANICAL GROUNDING	DRAWING NO
		PROJECT #: --	50009451
		DOCUMENT TYPE: SALES	REV
		REL LEVEL: Released	B
			SHEET 1 OF 1