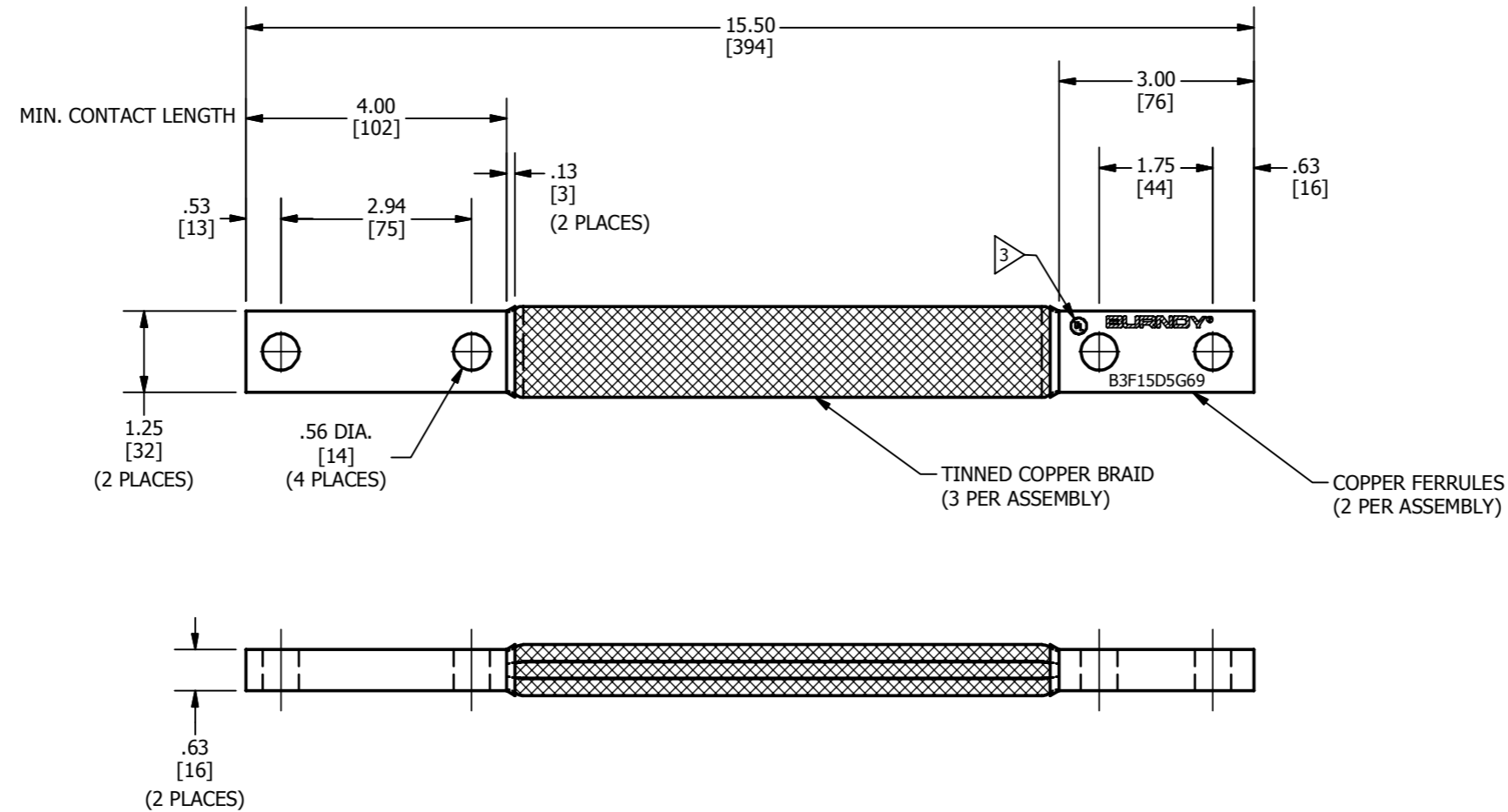


REV	DATE	DESCRIPTION	ECO	BY	C'H'K.
A	10/24/2012	RELEASE SALES DRAWINGS OF THE AFFECTED ITEMS	29183	MS	MB



NOTES:

1. APPROXIMATE AMP RATING: 820 A INDOOR, 980 A OUTDOOR. THIS RATING MAY VARY WITH AMBIENT CONDITIONS, ORIENTATION OF THE BRAID, AND OTHER SERVICE CONDITIONS.

2. DIMENSIONS IN BRACKETS [] ARE IN MILLIMETERS ROUNDED OFF TO THE NEAREST MILLIMETER, UNLESS OTHERWISE NOTED, AND ARE FOR REFERENCE ONLY.

3. ALL SIZES ARE LISTED TO UL 467 GROUNDING & BONDING EQUIPMENT STANDARDS.

TO ORDER BURNDY® PRODUCTS CALL		BRAID	
UNITED STATES 1-800-346-4175 (LONDONDERRY, NH)		ITEM NO: 50009527	
CANADA: 1-800-361-6975 (QUEBEC) 1-800-387-6487 (ALL OTHER PROVINCES)		CAT. NO: B3F15D5G69	
FOR PRODUCT INFO: http://www.burndy.com		DRAWN BY: PARTHIBAN B 10/11/2012	
		CHECKER: E MARTIN 11/02/2012	
		DSN APRVL: R CRUZ 11/05/2012	
		MFG APRVL: --	
		QA APRVL: J MEDINA 11/08/2012	
		MKT APRVL: K ROBICHEAU 11/02/2012	
		PROD FAM: MECHANICAL GROUNDING	
		PROJECT #: --	
		SIZE	
		DRAWING NO	
		REV	
		50009529	
		A	
		SHEET 1 OF 1	
		REL LEVEL: Released	