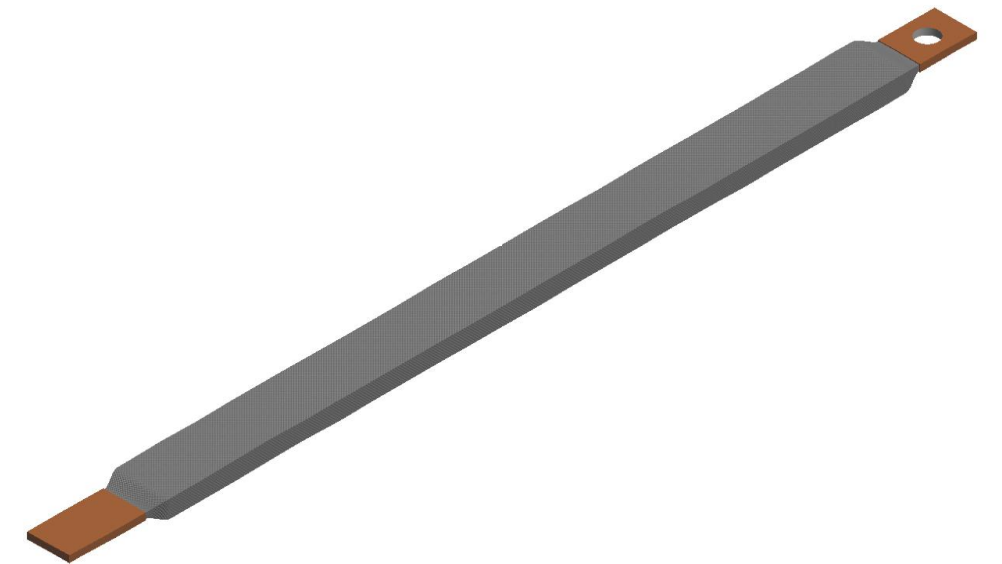
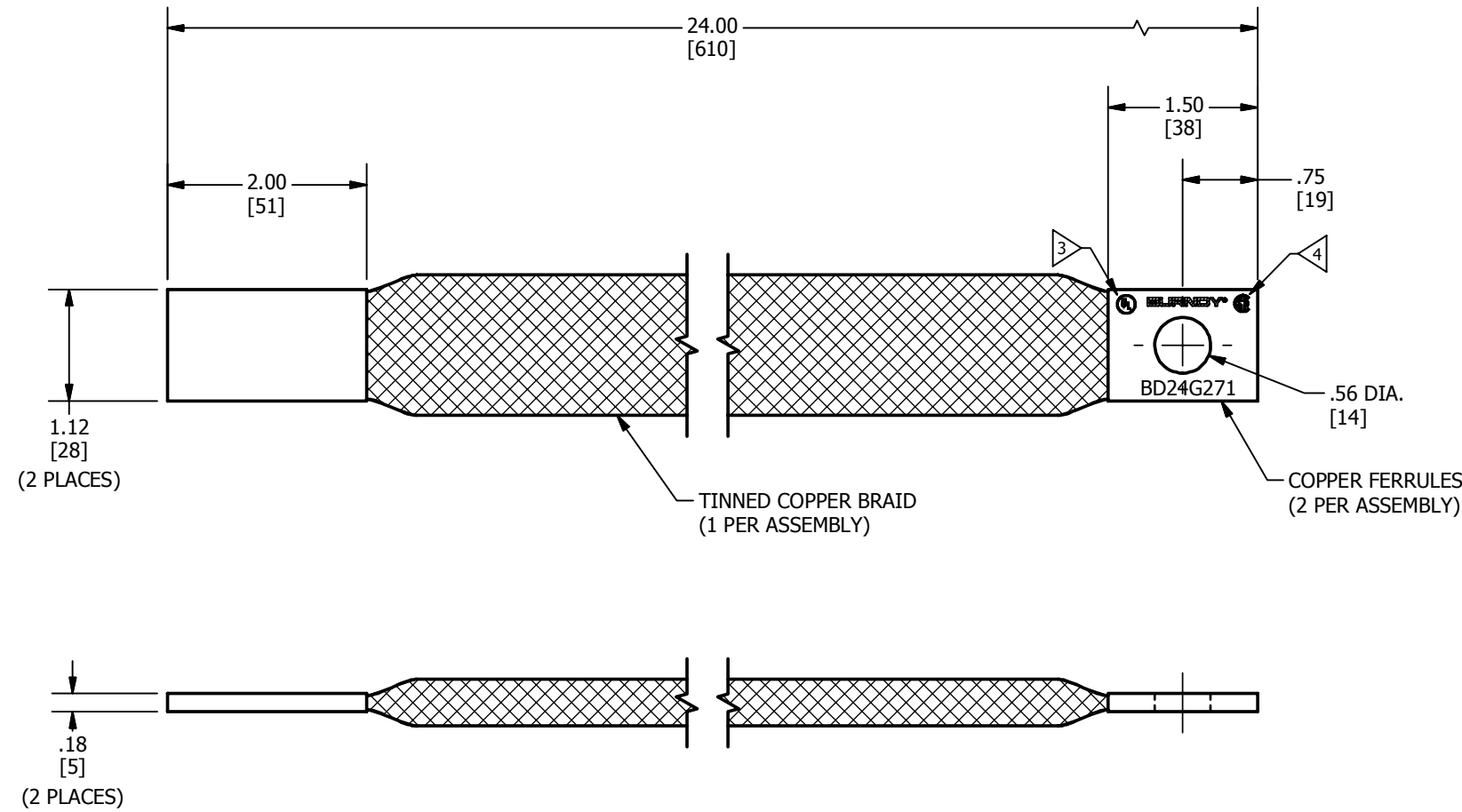


REV	DATE	DESCRIPTION	ECO	BY	CHK.
A	10/25/2012	SALES DRAWING CREATION	29185	KK	MA



NOTES:

1. APPROXIMATE AMP RATING: 190A INDOOR, 225A OUTDOOR. THIS RATING MAY VARY WITH AMBIENT CONDITIONS, ORIENTATION OF THE BRAID, AND OTHER SERVICE CONDITIONS.
2. DIMENSIONS IN BRACKETS [] ARE IN MILLIMETERS ROUNDED OFF TO THE NEAREST MILLIMETER, UNLESS OTHERWISE NOTED, AND ARE FOR REFERENCE ONLY.
3. BRAID LISTED TO UL 467 GROUNDING & BONDING EQUIPMENT STANDARDS.
4. BRAID LISTED TO CSA 22.2 NO.41 GROUNDING & BONDING EQUIPMENT STANDARDS.

TO ORDER BURNDY® PRODUCTS CALL		BRAID	
UNITED STATES 1-800-346-4175 (LONDONDERRY, NH)		ITEM NO: 50009641	
CANADA: 1-800-361-6975 (QUEBEC) 1-800-387-6487 (ALL OTHER PROVINCES)		CAT. NO: BD24G271	
FOR PRODUCT INFO: http://www.burndy.com		DRAWN BY: BALAN.T 10/12/2012 CHECKER: R.TROY 11/21/2012 DSN APRVL: C.RICARDO 11/23/2012 MFG APRVL: -- QA APRVL: M.JOEL 11/21/2012 MKT APRVL: R.KATHLEEN 11/26/2012	
PROJECT #: --	SIZE: B	DRAWING NO: 50009643	
DOCUMENT TYPE: SALES	REL LEVEL: Released	SHEET 1 OF 1	