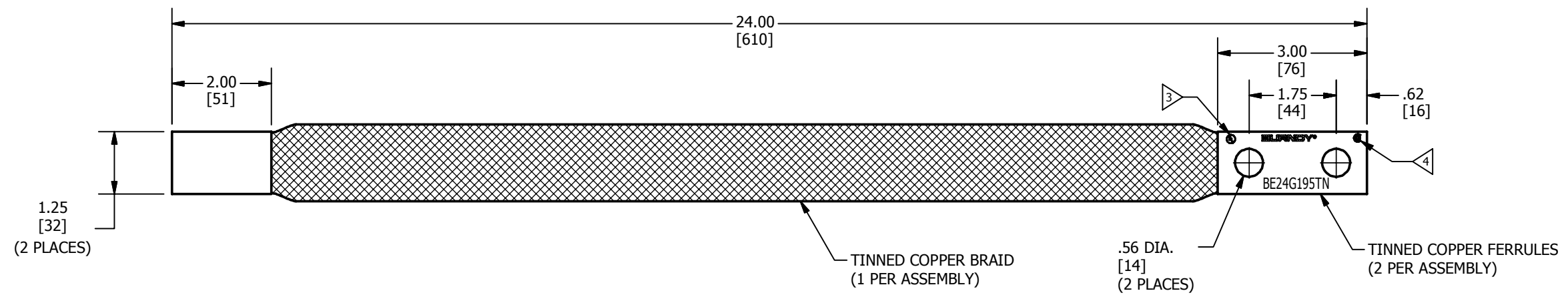
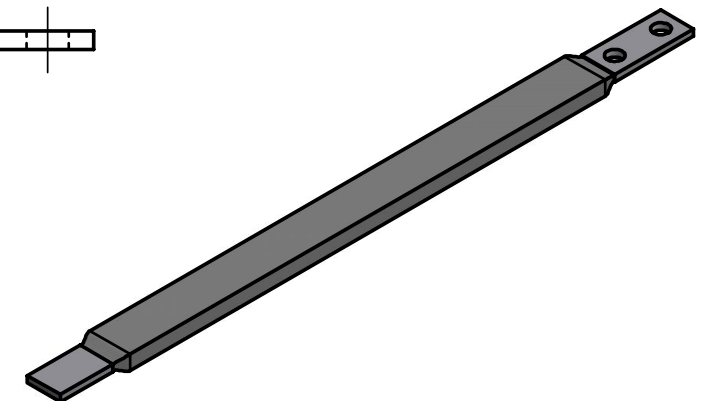
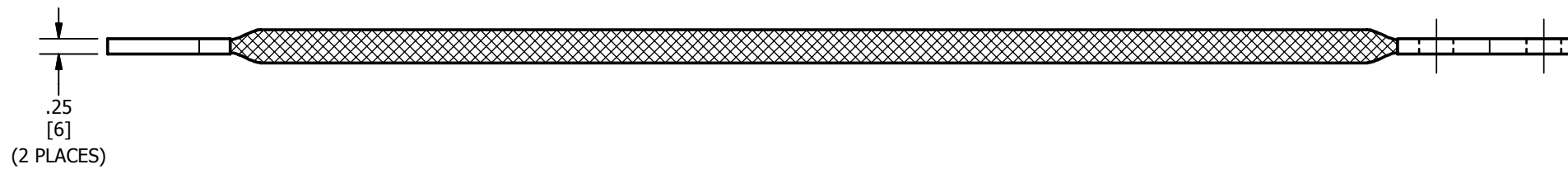


REV	DATE	DESCRIPTION	ECO	BY	CHK.
A	10/25/2012	RELEASE SALES DRAWINGS OF THE AFFECTED ITEMS	29184	MS	MB



1.25
[32]
(2 PLACES)



NOTES:

1. APPROXIMATE AMP RATING: 340 A INDOOR, 405 A OUTDOOR. THIS RATING MAY VARY WITH AMBIENT CONDITIONS, ORIENTATION OF THE BRAID, AND OTHER SERVICE CONDITIONS.
2. DIMENSIONS IN BRACKETS [] ARE IN MILLIMETERS ROUNDED OFF TO THE NEAREST MILLIMETER, UNLESS OTHERWISE NOTED, AND ARE FOR REFERENCE ONLY.
- 3 ALL SIZES ARE LISTED TO UL 467 GROUNDING & BONDING EQUIPMENT STANDARDS.
- 4 ALL SIZES ARE LISTED TO CSA 22.2 NO.41 GROUNDING & BONDING EQUIPMENT STANDARDS.

TO ORDER BURNDY® PRODUCTS CALL		BRAID	
UNITED STATES 1-800-346-4175 (LONDONDERRY, NH)		ITEM NO: 50009665	
CANADA: 1-800-361-6975 (QUEBEC) 1-800-387-6487 (ALL OTHER PROVINCES)		CAT. NO: BE24G195TN	
FOR PRODUCT INFO: http://www.burndy.com		DRAWN BY: C. RAJEEV 10/11/2012	
		CHECKER: T. REYNOLDS 11/07/2012	
		DSN APRVL: R. CRUZ 11/16/2012	
		MFG APRVL: --	
		QA APRVL: J. MEDINA 11/08/2012	
		MKT APRVL: K. ROBICHEAU 11/06/2012	
		PROD FAM: MECHANICAL GROUNDING	
		PROJECT #: --	
		DRAWING NO: 50009667	
		REV: A	
		DOCUMENT TYPE: SALES	
		REL LEVEL: Released	
		SIZE: B	
		SHEET 1 OF 1	