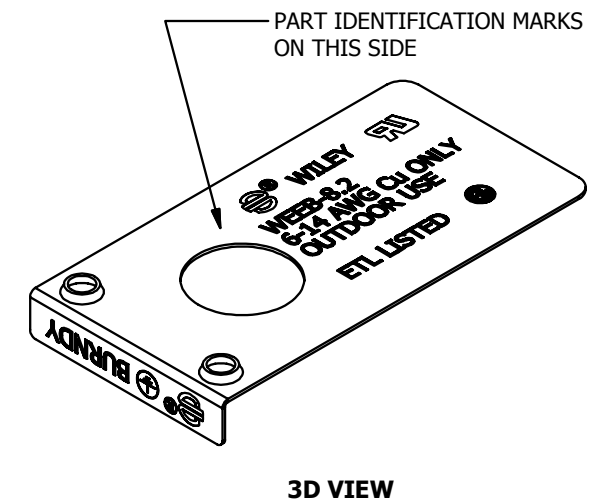
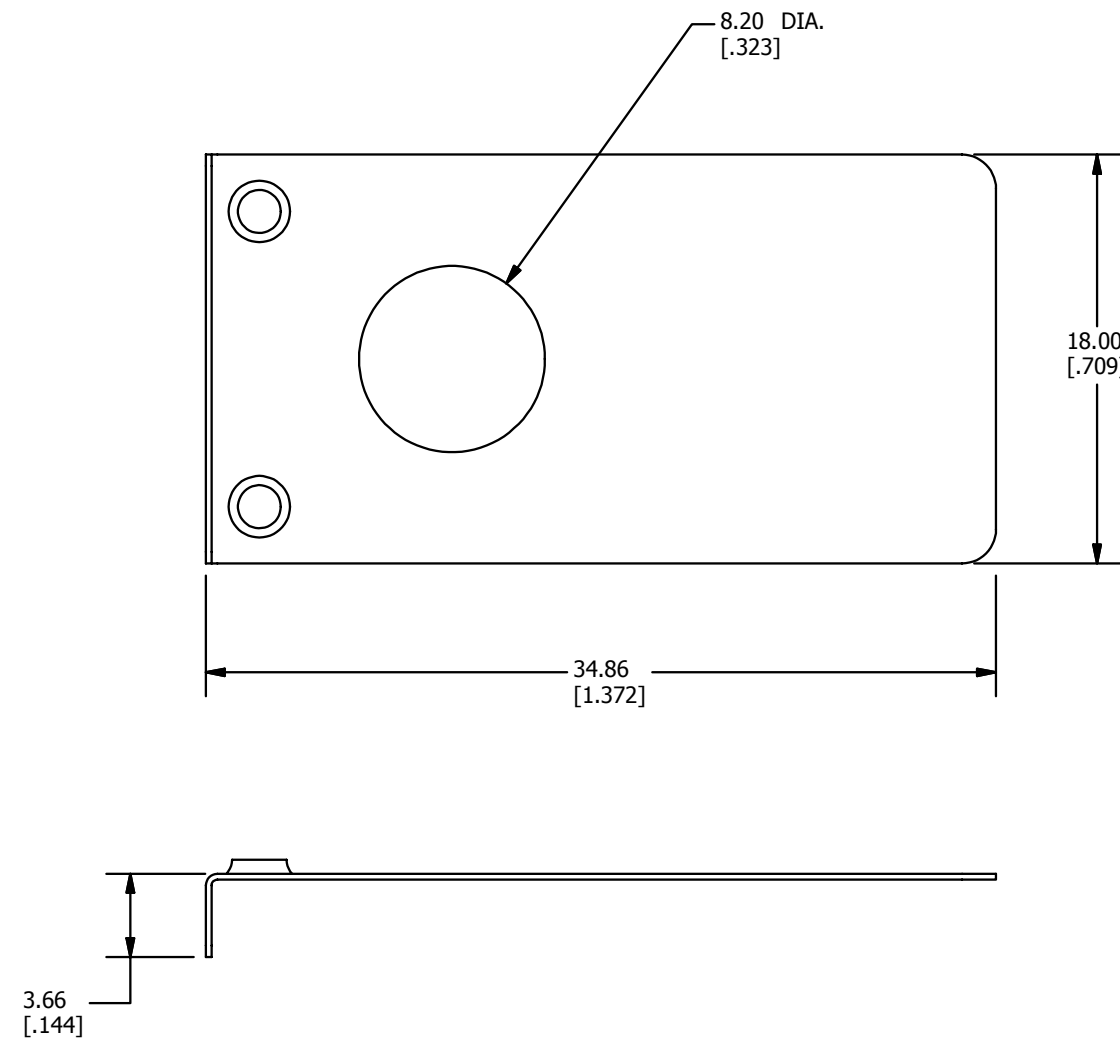
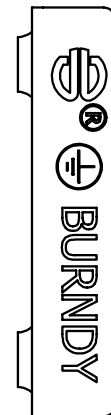
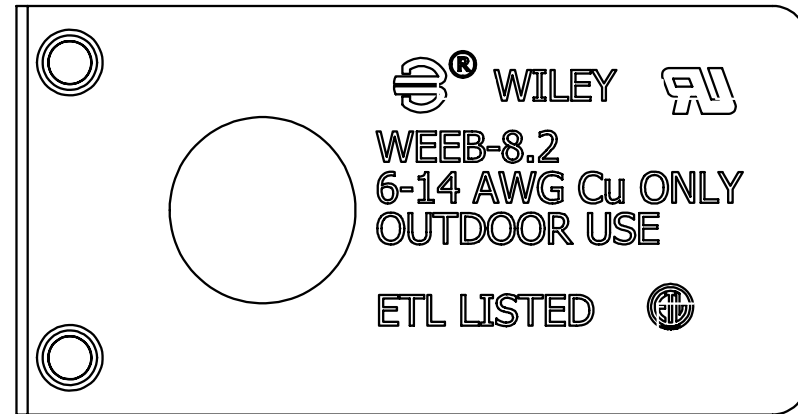


REV	DATE	DESCRIPTION	ECO	BY	C'H.K.
E	12/19/2014	LETTERING DETAIL UPDATED FOR CAT.# WEEB-8.2	38741	TM	EM



NOTES:

1. MATERIAL: 304 STAINLESS STEEL
2. DIMENSIONS IN BRACKETS [] ARE IN INCHES ROUNDED OFF TO THE NEAREST TENTH, UNLESS OTHERWISE SPECIFIED AND ARE FOR REFERENCE ONLY.

TO ORDER BURNDY PRODUCTS CALL UNITED STATES 1-800-346-4175 (LONDONDERRY, NH) CANADA: 1-800-361-6975 (QUEBEC) 1-800-387-6487 (ALL OTHER PROVINCES) FOR PRODUCT INFO: http://www.burndy.com		EQUIPMENT BOND	
		ITEM NO: 30020143 CAT. NO: WEEB-8.2	
DRAWN BY: M THAMARAI 12/19/2014 CHECKER: E MARTIN 3/20/2015 DSN APRVL: E MARTIN 3/20/2015 MFG APRVL: -- QA APRVL: C KOWALCZYK 3/24/2015 MKT APRVL: S PARSONS 3/20/2015			
PROD FAM: WILEY PROJECT #: DOCUMENT TYPE: Sales REL LEVEL: Released	SIZE: B	DRAWING NO: 50009672	REV: E
		SHEET 1 OF 1	