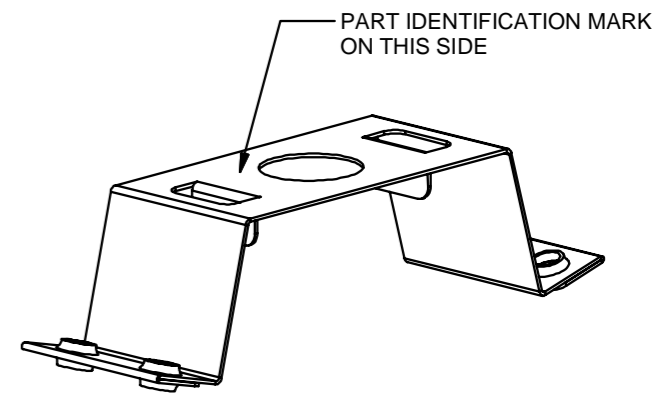
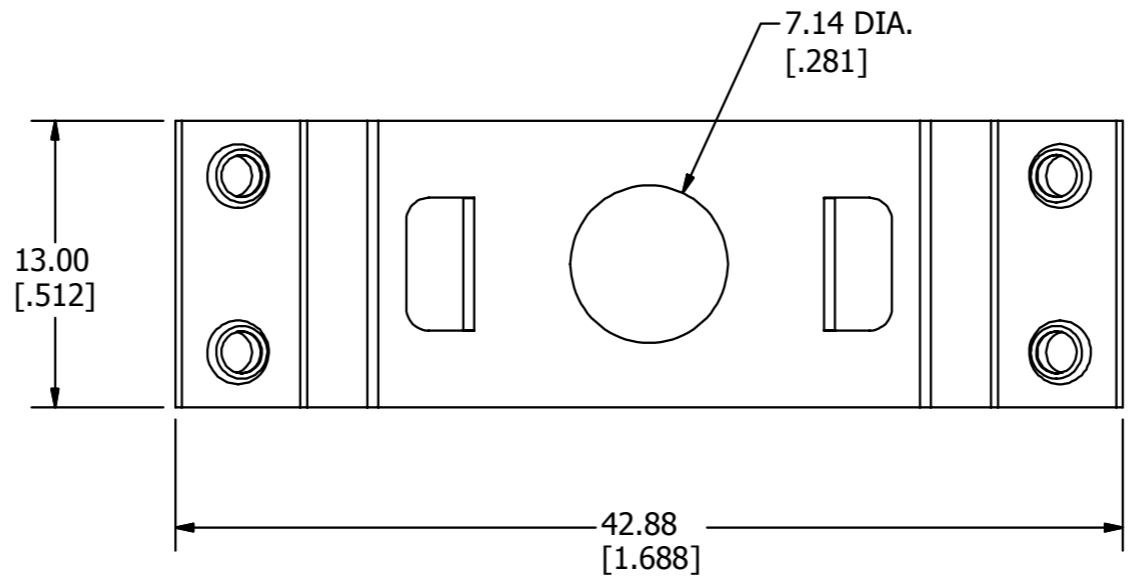
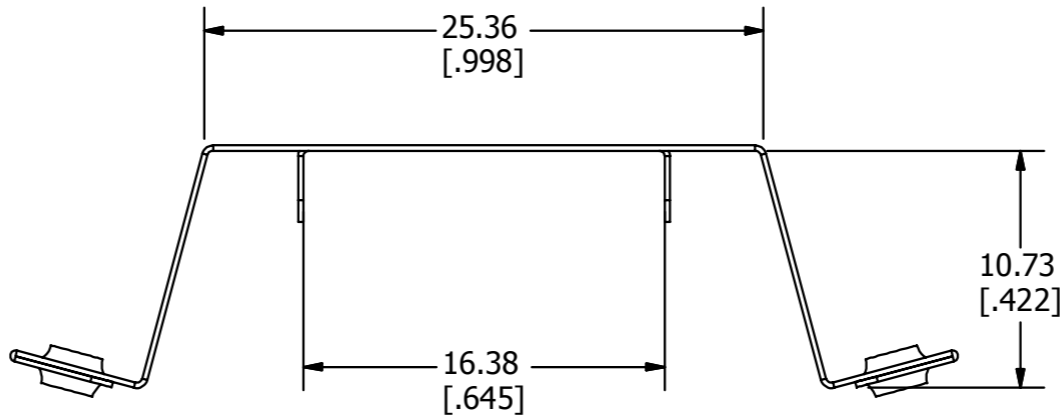
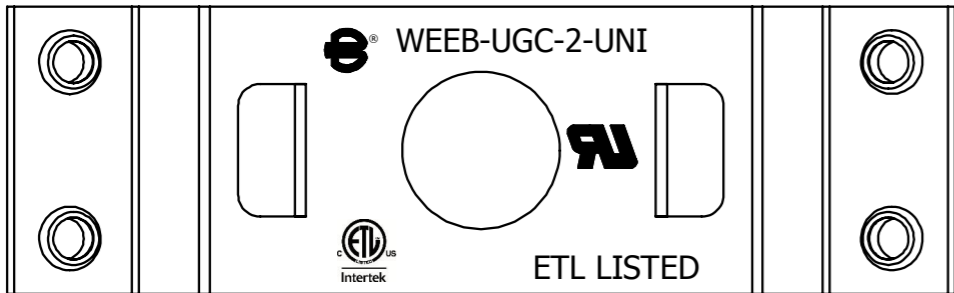


REV	DATE	DESCRIPTION	ECO	BY	C'H'K.
C	09/10/2013	UPDATED LOGO DETAILS FOR CAT.# WEEB-UGC-2-UNI	33172	DC	TM



3D VIEW

NOTES:

1. MATERIAL: 304 STAINLESS STEEL.
2. DIMENSIONS IN BRACKETS [ ] ARE IN INCHES ROUNDED OFF TO THE NEAREST TENTH, UNLESS OTHERWISE SPECIFIED AND ARE FOR REFERENCE ONLY.

TO ORDER BURNDY PRODUCTS CALL		EQUIPMENT BOND	
UNITED STATES		ITEM NO: 30020496	
1-800-346-4175 (LONDONDERRY, NH)		CAT. NO: WEEB-UGC-2-UNI	
CANADA:		DRAWN BY: C DEVAKANNAN 09/10/2013	
1-800-361-6975 (QUEBEC)		CHECKER: P KOVALOV 09/13/2013	
1-800-387-6487 (ALL OTHER PROVINCES)		DSN APRVL: T OLENICK 09/17/2013	
FOR PRODUCT INFO: <a href="http://www.burndy.com">http://www.burndy.com</a>		MFG APRVL: M STEVENS 09/10/2013	
		QA APRVL: C KOWALCZYK 09/16/2013	
		MKT APRVL: S PARSONS 09/12/2013	
		PROJ #:	DRAWING NO
		SIZE	REV
		B	50009675
		REL LEVEL: Released	SHEET 1 OF 1