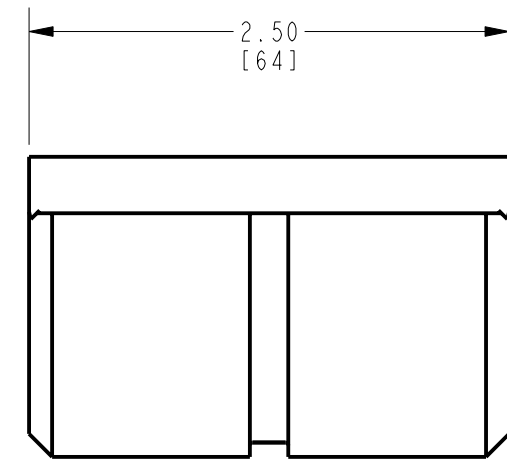
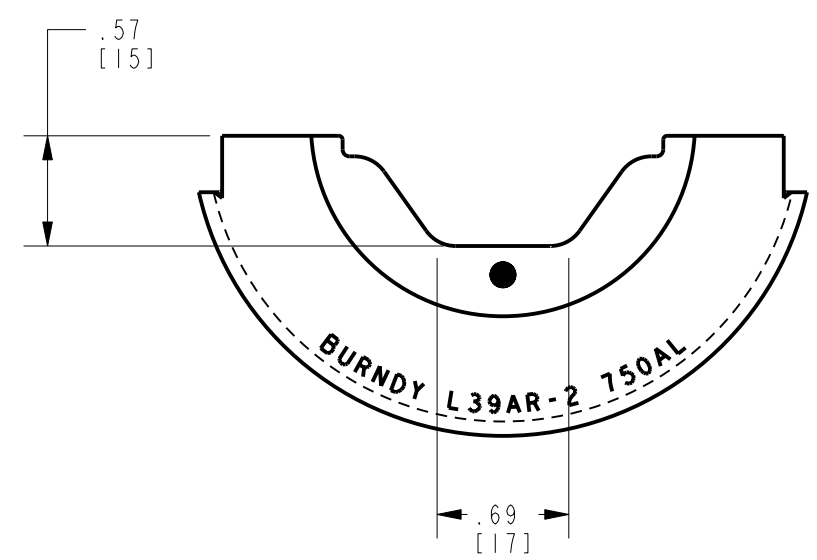
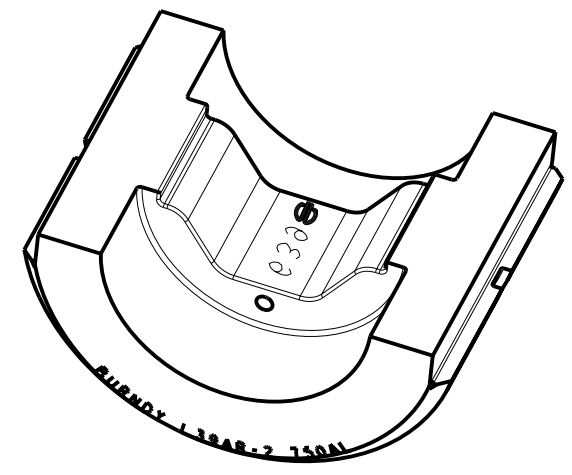
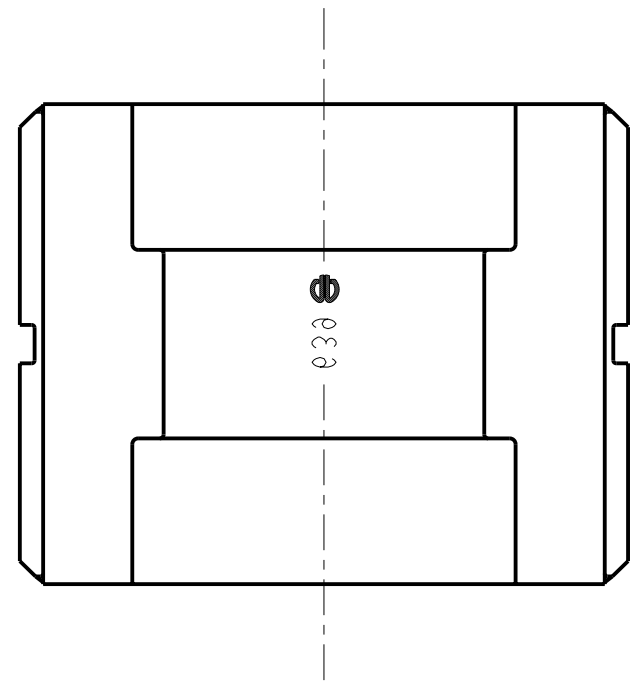


REV.	DATE	DESCRIPTION	ECO	BY	C'H'K.
A	10/01/2012 00:00:00 AM	CREATED SALES DRAWING	28835	BD	MB



NOTES:

- DIMENSIONS IN BRACKETS [] ARE IN MILLIMETERS ROUNDED OFF TO THE NEAREST MILLIMETER, UNLESS OTHERWISE NOTED, AND ARE FOR REFERENCE ONLY.
- MATERIAL: STAINLESS STEEL.

TO ORDER BURNDY® PRODUCTS CALL
 UNITED STATES:
 1-800-346-4175 (LONDONDERRY, NH)
 CANADA:
 1-800-361-6975 (QUEBEC)
 1-800-387-6487 (ALL OTHER PROVINCES)
 FOR PRODUCT INFO: <http://www.burndy.com>

CIRCULAR TWIN DIE		SCALE: 1:1
ITEM NO: 460062		DRAWING NO
CAT. NO: L39ART-2		REV
DRAWN BY: B. DURAI CHAMY	10/01/12	
CHECKER: L. BROWN	11/13/12	
DSN APPVL: L. BROWN	11/13/12	
MFG APPVL: A. JOHNS	11/16/12	
QA APPVL: J. BRODEUR	11/13/12	
MKT APPVL: R. POIRIER	11/27/12	
PROD FAM: --	--	
PROJECT #: --	SIZE B	50009692
DOCUMENT TYPE: Sales		SHEET 1 OF 1
REL LEVEL: Released		A

REV: PE0200