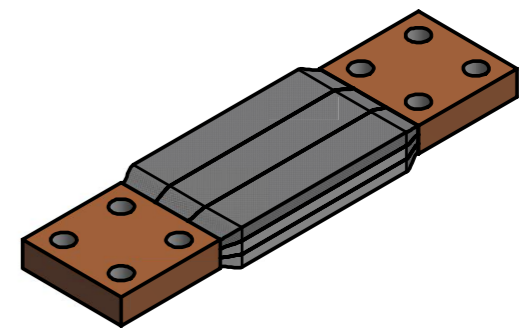
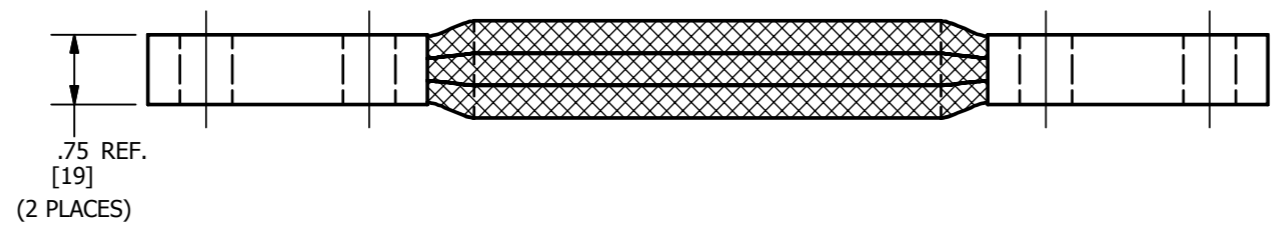
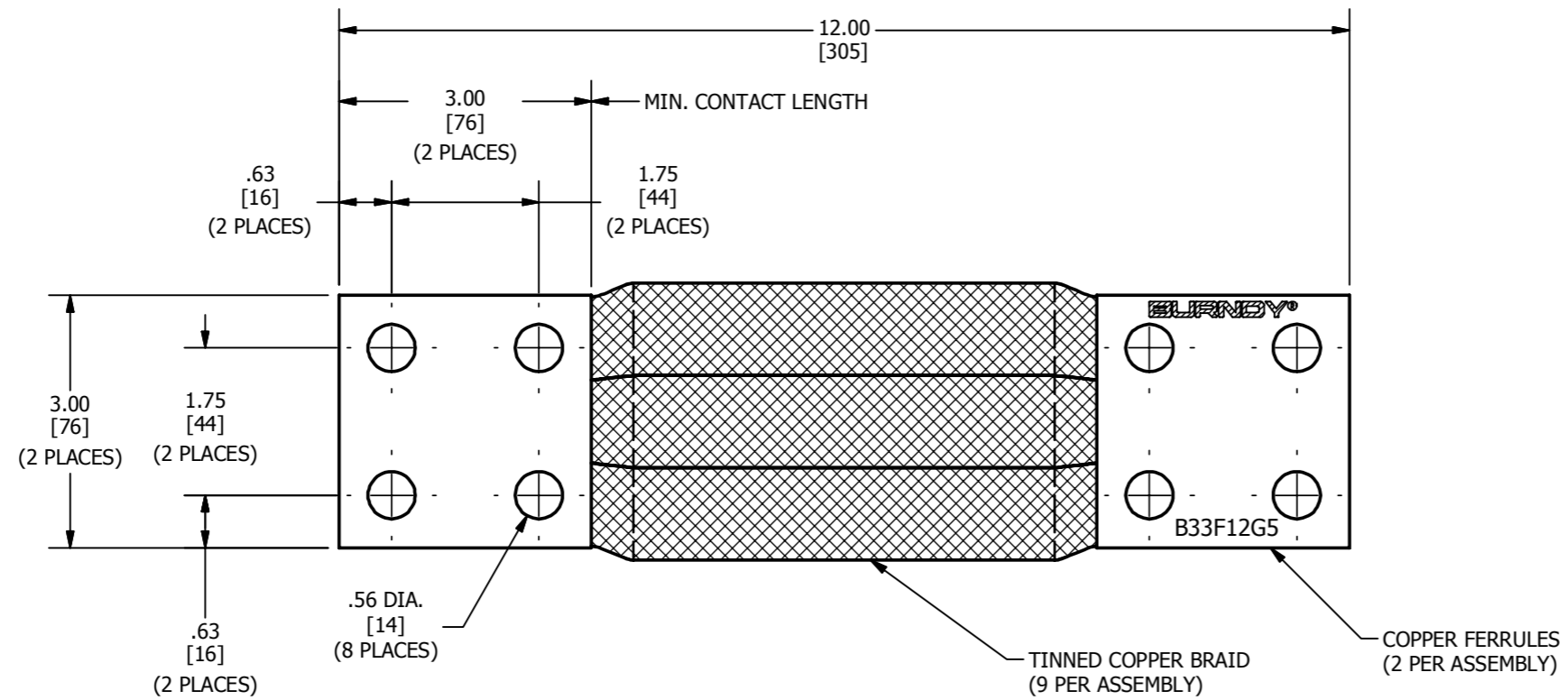


REV	DATE	DESCRIPTION	ECO	BY	CHK.
A	10/30/2012	RELEASE SALES DRAWINGS OF THE AFFECTED ITEMS	29187	MS	MB



NOTES:

1. APPROXIMATE AMP RATING: 2000A. THIS RATING MAY VARY WITH AMBIENT CONDITIONS, ORIENTATION OF THE BRAID, AND OTHER SERVICE CONDITIONS.
2. DIMENSIONS IN BRACKETS [ ] ARE IN MILLIMETERS ROUNDED OFF TO THE NEAREST MILLIMETER, UNLESS OTHERWISE NOTED, AND ARE FOR REFERENCE ONLY.

TO ORDER BURNDY® PRODUCTS CALL		BRAID	
UNITED STATES 1-800-346-4175 (LONDONDERRY, NH)		ITEM NO: 50009710	
CANADA: 1-800-361-6975 (QUEBEC) 1-800-387-6487 (ALL OTHER PROVINCES)		CAT. NO: B33F12G5	
FOR PRODUCT INFO: <a href="http://www.burndy.com">http://www.burndy.com</a>		DRAWN BY: V KAMAL 10/11/2012	
		CHECKER: T REYNOLDS 12/07/2012	
		DSN APRVL: R CRUZ 12/06/2012	
		MFG APRVL: --	
		QA APRVL: J MEDINA 12/07/2012	
		MKT APRVL: K ROBICHEAU 12/07/2012	
		PROD FAM: MECHANICAL GROUNDING	
		PROJECT #: --	
		SIZE	
		DRAWING NO	
		50009712	
		REV	
		A	
		SHEET 1 OF 1	
		REL LEVEL: Released	
		B	