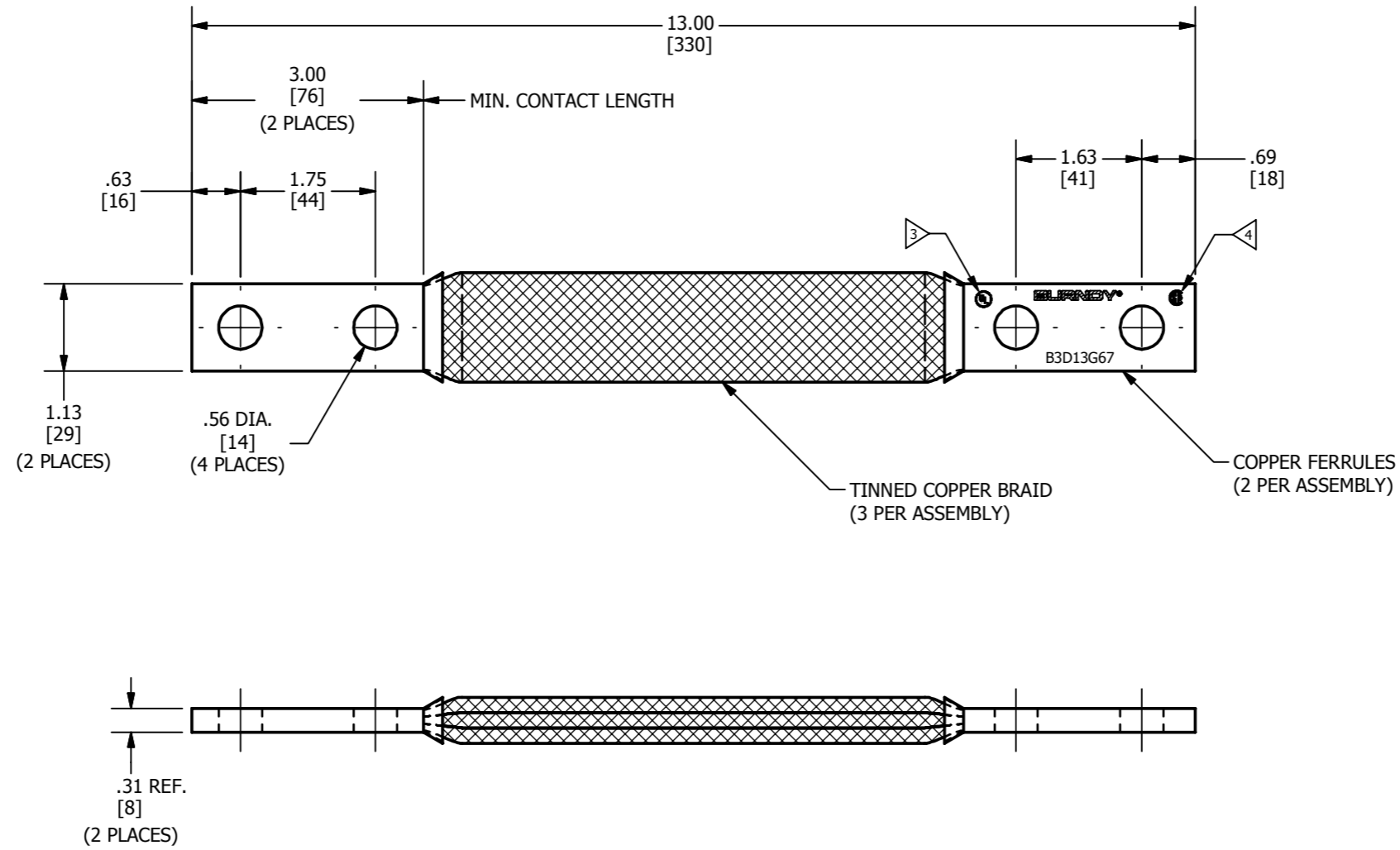


REV	DATE	DESCRIPTION	ECO	BY	C'HK.
A	10/30/2012	RELEASE SALES DRAWINGS OF THE AFFECTED ITEMS	29187	MS	MB



NOTES:

1. APPROXIMATE AMP RATING: 470A INDOOR, 560A OUTDOOR. THIS RATING MAY VARY WITH AMBIENT CONDITIONS, ORIENTATION OF THE BRAID, AND OTHER SERVICE CONDITIONS.
2. DIMENSIONS IN BRACKETS [ ] ARE IN MILLIMETERS ROUNDED OFF TO THE NEAREST MILLIMETER, UNLESS OTHERWISE NOTED, AND ARE FOR REFERENCE ONLY.
- 3 LISTED TO UL 467 GROUNDING & BONDING EQUIPMENT STANDARDS.
- 4 LISTED TO CSA 22.2 NO.41 GROUNDING & BONDING EQUIPMENT STANDARDS.

TO ORDER BURNDY® PRODUCTS CALL		FLEXIBLE BRAID JUMPER	
UNITED STATES 1-800-346-4175 (LONDONDERRY, NH)		ITEM NO: 50009713	
CANADA: 1-800-361-6975 (QUEBEC) 1-800-387-6487 (ALL OTHER PROVINCES)		CAT. NO: B3D13G67	
FOR PRODUCT INFO: <a href="http://www.burndy.com">http://www.burndy.com</a>		DRAWN BY: V KAMAL 10/11/2012	
		CHECKER: T REYNOLDS 12/07/2012	
		DSN APRV: R CRUZ 12/06/2012	
		MFG APRV: --	
		QA APRV: J MEDINA 12/07/2012	
		MKT APRV: K ROBICHEAU 12/07/2012	
		PROD FAM: MECHANICAL GROUNDING	
		PROJECT #: --	
		SIZE	
		DRAWING NO	
		50009715	
		REV	
		A	
		SHEET 1 OF 1	
		REL LEVEL: Released	
		B	

