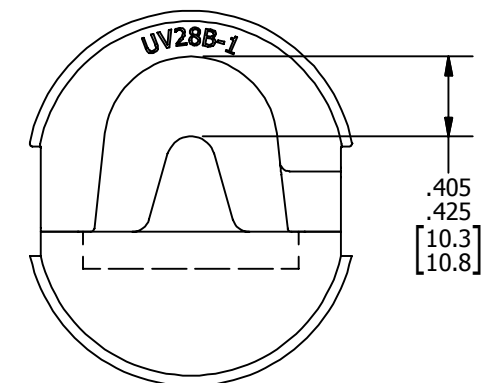
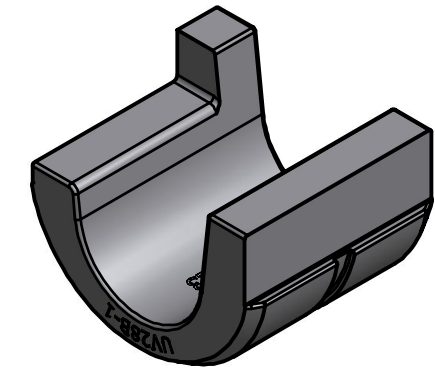
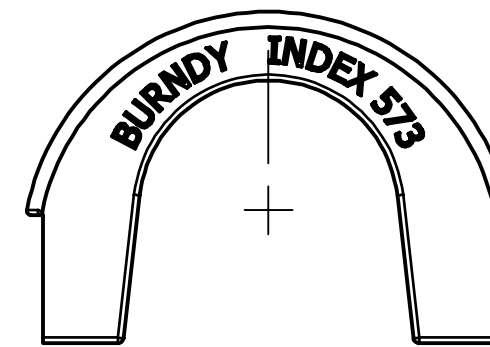
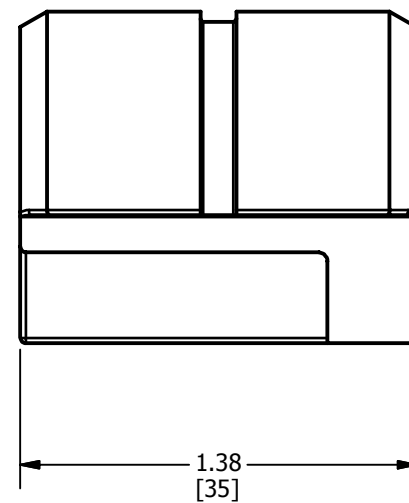
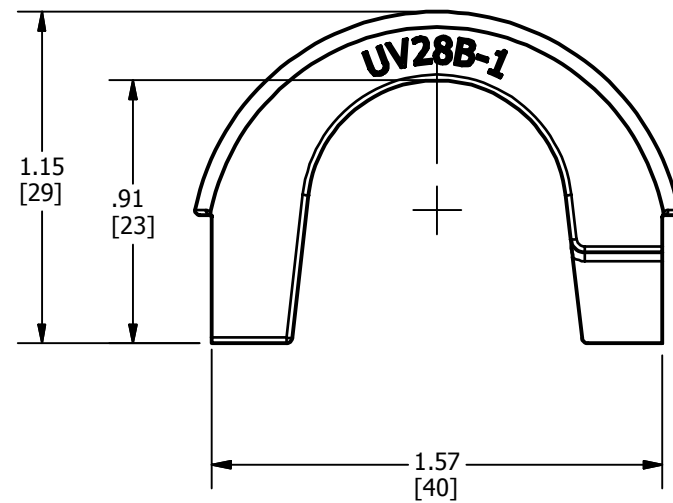


REV	DATE	DESCRIPTION	ECO	BY	C'H'K.
A	11/07/2012	DRAWING REVISED	29021	DD	MB



NOTES:

1. DIMENSIONS IN BRACKETS [] ARE IN MILLIMETERS ROUNDED OFF TO THE NEAREST MILLIMETER, UNLESS OTHERWISE SPECIFIED AND ARE FOR REFERENCE ONLY.
2. FOR USE WITH YBM28 FLAG TERMINALS. USE WITH Y29PA-1 INDENTOR AND Y35G1P3 ADAPTOR.
3. FOR USE IN 12 OR 15 TON HYPRESS™.

TO ORDER BURNDY® PRODUCTS CALL		NEST DIE FOR YBM28	
UNITED STATES 1-800-346-4175 (LONDONDERRY, NH)		ITEM NO: 50009801	
CANADA: 1-800-361-6975 (QUEBEC) 1-800-387-6487 (ALL OTHER PROVINCES)		CAT. NO: UV28B1	
FOR PRODUCT INFO: http://www.burndy.com		DRAWN BY: E.MARTIN 10/4/2012	
		CHECKER: R.ROMAN 10/4/2012	
		DSN APRVL: E.MARTIN 10/3/2012	
		MFG APRVL: --	
		QA APRVL: --	
		MKT APRVL: --	
		PROD FAM: --	
		DRAWING NO	
		50009802	
		REV	
		A	
		SHEET 1 OF 1	