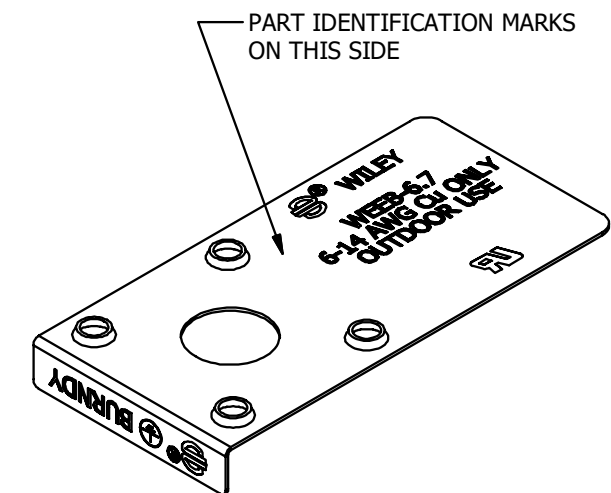
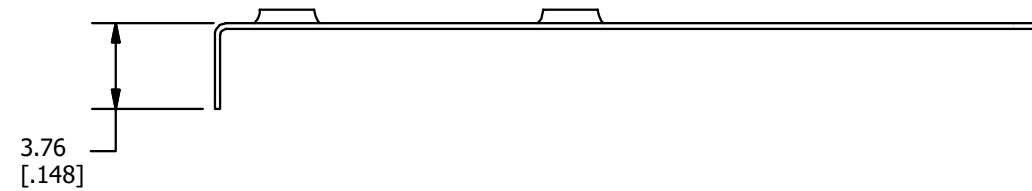
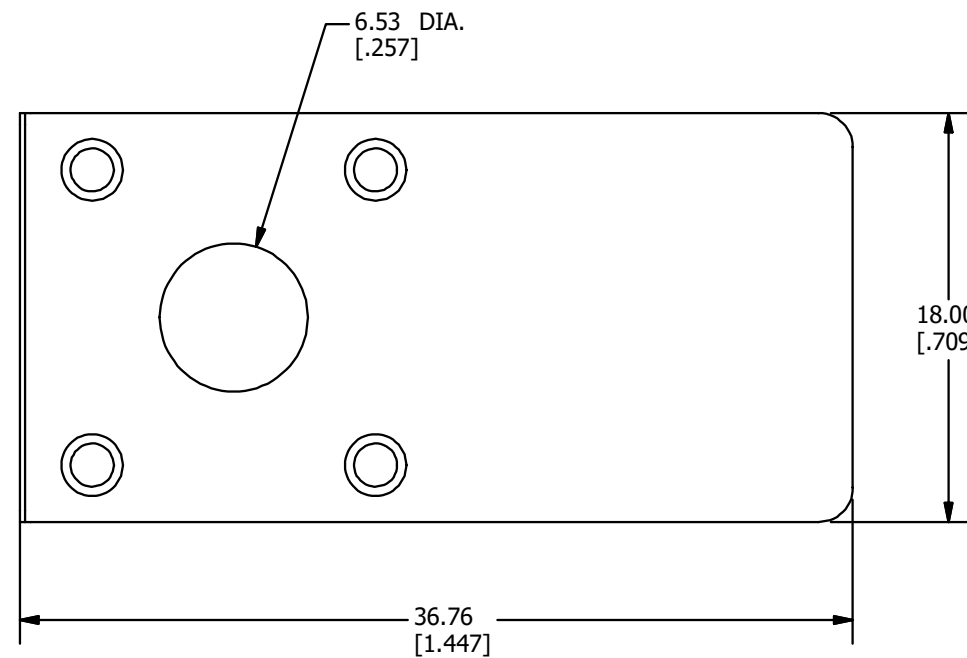
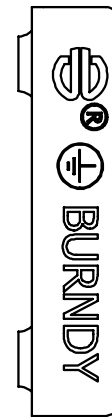
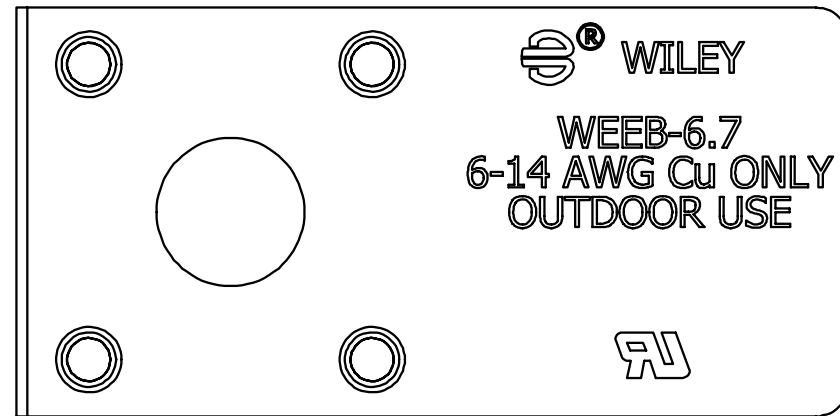


REV	DATE	DESCRIPTION	EC	BY	CHK.
G	02/10/2022	DRAWING UPDATE	220211016909	TM	EM



3D VIEW

NOTES:

1. MATERIAL: 304 STAINLESS STEEL.
2. DIMENSIONS IN BRACKETS [] ARE IN INCHES ROUNDED OFF TO THE NEAREST TENTH, UNLESS OTHERWISE SPECIFIED AND ARE FOR REFERENCE ONLY.

TO ORDER BURNDY® PRODUCTS CALL
 UNITED STATES
 1-800-346-4175 (LONDONDERRY, NH)
 CANADA:
 1-800-387-6487
 FOR PRODUCT INFO: <http://www.burndy.com>

EQUIPMENT BOND	
ITEM NO: 30020107	
CAT. NO: WEEB-6.7	
DRAWN BY: M THAMARAI	12-19-2014
CHECKER: E.MARTIN	02-14-2022
DSN APRVL: E.MARTIN	02-14-2022
MFG APRVL: J.VERRANAULT	02-14-2022
QA APRVL: J.BRODEUR	02-14-2022
MKT APRVL: --	
PROD FAM: WILEY	
PROJECT #:	SIZE
DOCUMENT TYPE: SALES	B
REL LEVEL: Released	
DRAWING NO	REV
50010112	G
SHEET 1 OF 1	

