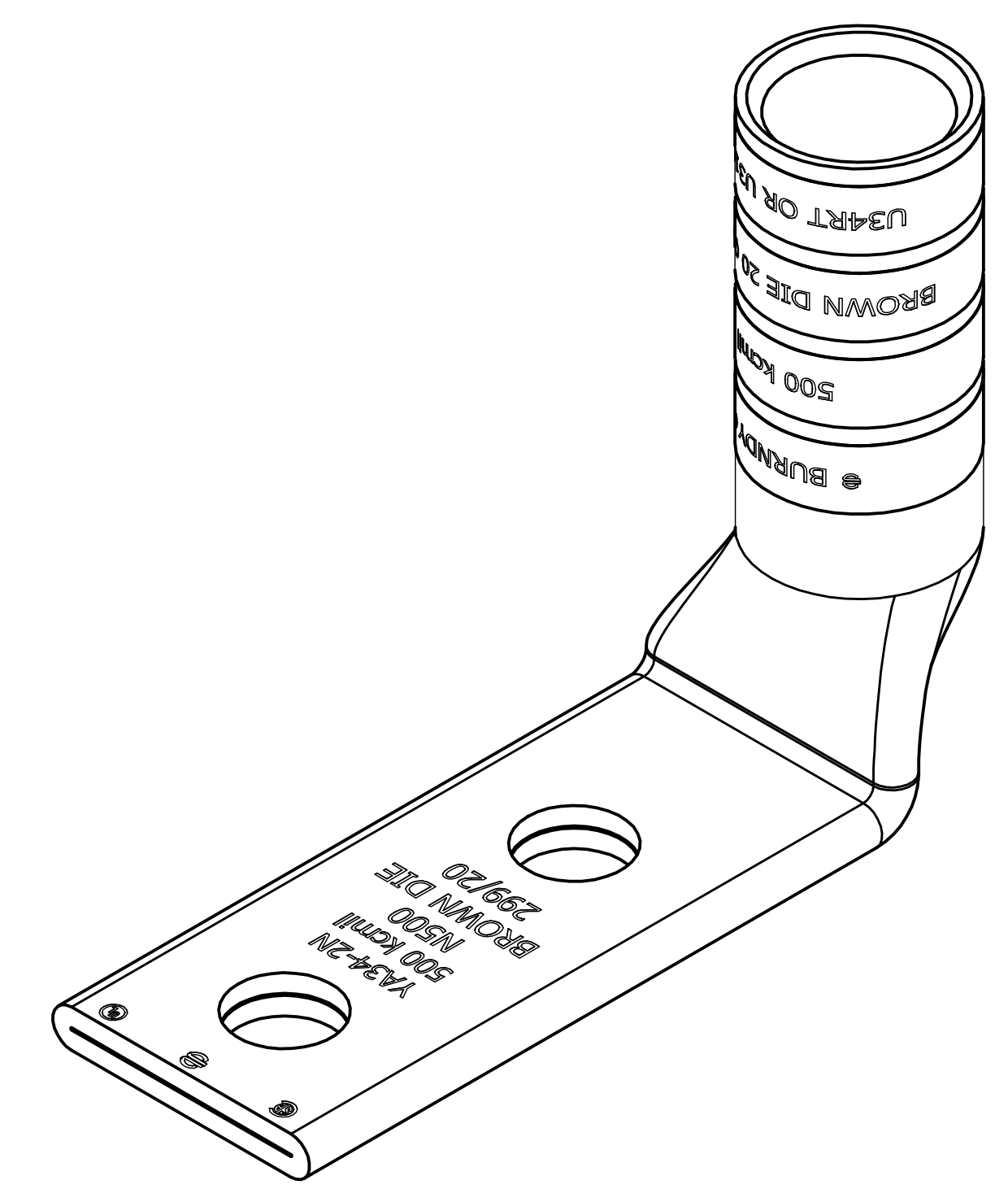
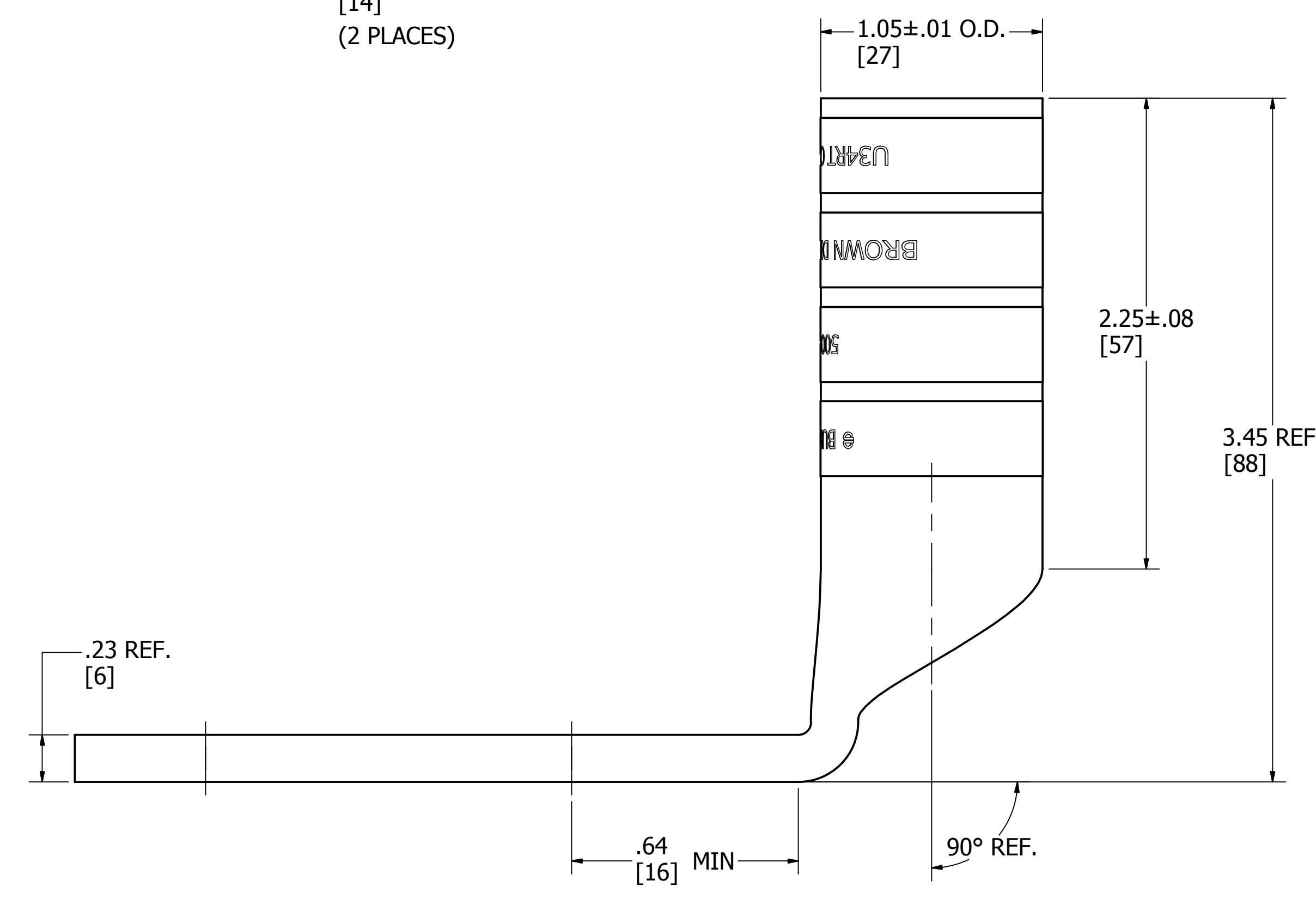
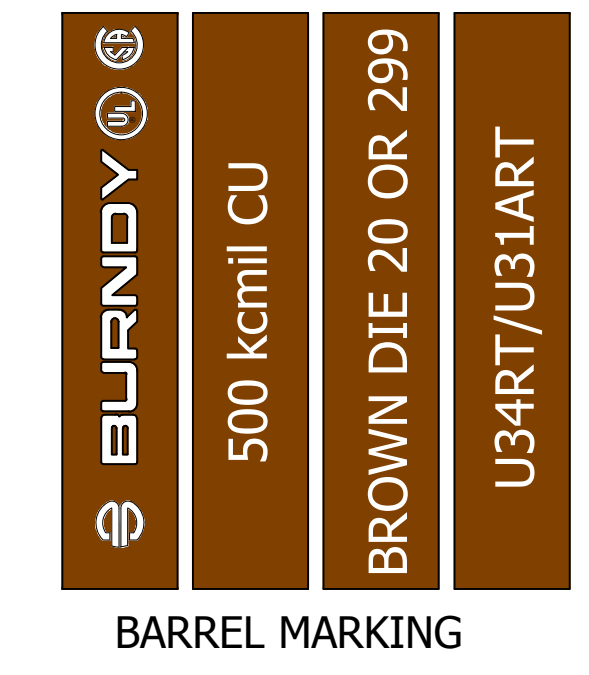
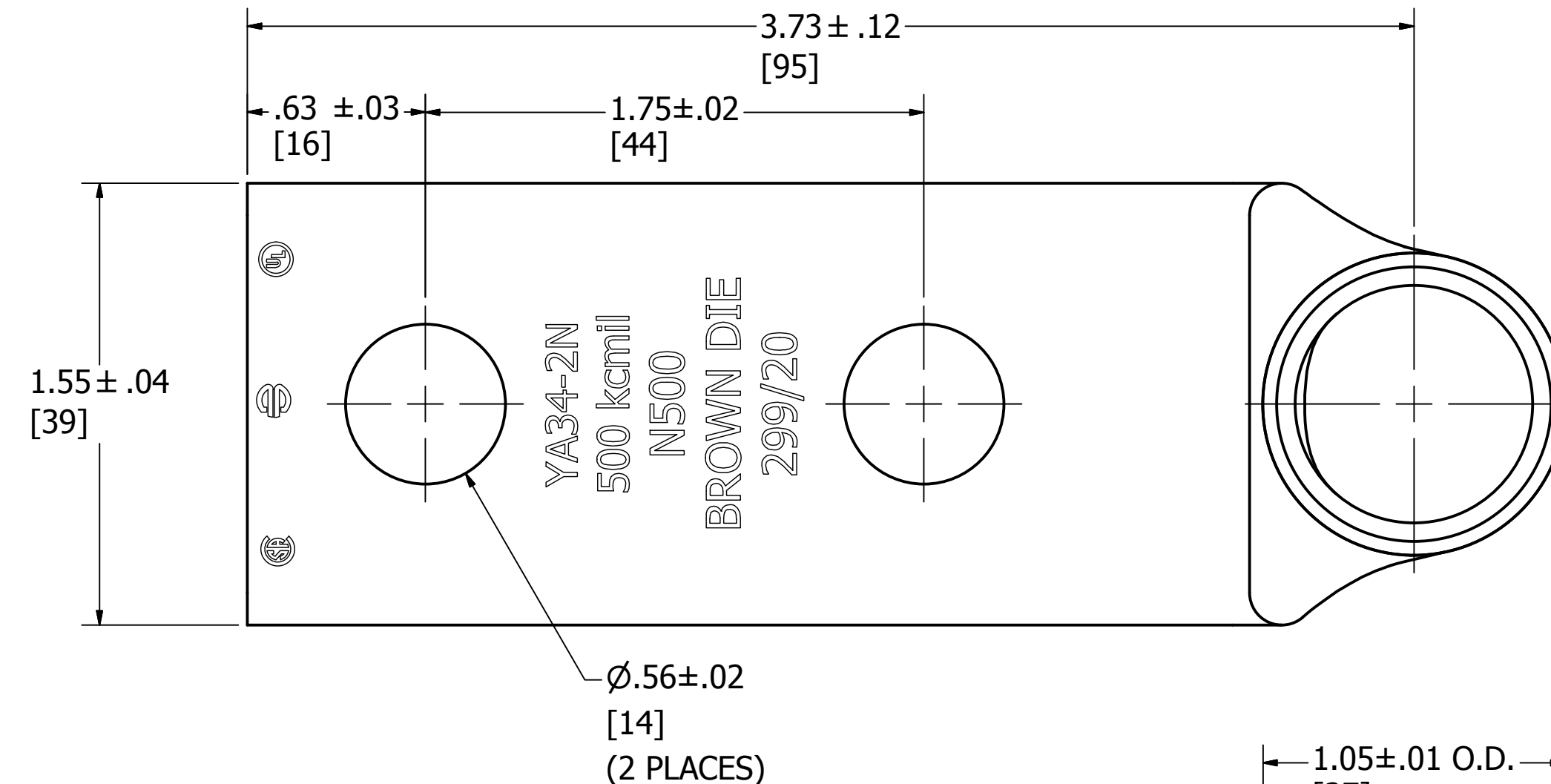


STRANDED COPPER CONDUCTOR ACCOMMODATED			BOLT SIZE	METRIC BOLT SIZE	COLOR CODE	DIE INFORMATION		MECHANICAL RATCHET						HYDRAULIC					DIELESS (# CRIMPS)	WIRE STRIP LENGTH	REV	DATE	DESCRIPTION	ECO	BY	CH'K	
CODE (AWG)	NAVY	METRIC SIZE (CLASS 2)				DIE INDEX	TYPE	Y1MRTC	OUR840	MD6 MD7	MD6-R2 MD7-34R	PAT600 Y500	Y34A Y34B Y34BH	Y35, Y39 Y750, PAT750	Y46 PAT46	Y45	Y48B	Y60BHU			A	10/17/2012	NEW SALES DRAWING CREATED	29086	HM	MA	
500 kcmil	----	240mm ² STR [23.1]	1/2	M12	BROWN	20 299	BROWN DIE SET	----	----	W34RT (4) W34VT (4)	W34RT (4) W34VT (4)	W34RT (4) W34VT (4)	----	U34RT (4) U31ART (2)	U34RT (4) P34RT (4) U31ART (2)	U34RT (4) U31ART (2)	C34R (2) C31AR (2)	L34RT (2)	HYDRAULIC: PAT644 (1) Y644 (1) PAT81KFT (4) Y81KFT (4) PAT4PC834 (4) Y4PC834 (4)	2 - 5/16"							
							NEST	----	----	----	----	----	B34D (1) A34D (1) Y34PR	U34D-1 (2) Y34PR	U34D-1 (2) Y34PR	U34D-1 (2) Y34PR	C34D (2) Y48PR	----									
							INDENTOR	----	----	----	----	----	----	----	----	----	----	----									



NOTES:

1. MATERIAL: COPPER TUBING
2. FINISH: TIN PLATED.
3. CATALOG # PT6515 ADAPTOR IS REQUIRED TO USE "U" DIES IN Y45 SERIES TOOLS.
4. CATALOG # PUADP-1 ADAPTOR IS REQUIRED TO USE "U" DIES IN Y46 SERIES TOOLS.
5. Y35P3 INDENTOR ADAPTOR REQUIRED FOR Y34PR INDENTOR.
6. PERMANENT DIE IN TOOLING.
7. DIMENSIONS IN BRACKETS [] ARE IN MILLIMETERS ROUNDED OFF TO THE NEAREST MILLIMETER, UNLESS OTHERWISE NOTED, AND ARE FOR REFERENCE ONLY.
8. FOR USE BY CUSTOMERS THAT HAVE THIS HYPRESS.™ NO NEW Y34A HYPRESS™ TOOLS ARE BEING PROCESSED. Y34A USES A--D TYPE NEST DIES.
9. UL LISTED AND CSA CERTIFIED WIRE CONNECTORS.
10. "X", "W-RT", "W-VT", "U", & "L" DIE SETS ARE COLOR CODED. "A", "B", AND "C" DIES ARE NOT COLOR CODED. NESTS AND INDENTOR TYPE ARE NOT COLOR CODED.

TO ORDER BURNDY® PRODUCTS CALL		HYLUG™	
UNITED STATES 1-800-346-4175 (LONDONDERRY, NH)		ITEM NO: 502184	
CANADA: 1-800-361-6975 (QUEBEC) 1-800-387-6487 (ALL OTHER PROVINCES)		CAT. NO: YA342N90	
FOR PRODUCT INFO: http://www.burndy.com		DRAWN BY: HMALHOTRA 10/17/2012	
		CHECKER: J. MICHAUD 5/2/2013	
		DSN APRVL: R. ROMAN 4/26/2013	
		MFG APRVL: M. KNAPTON 3/21/2013	
		QA APRVL: T. WATTS 3/22/2013	
		MKT APRVL: J. SYLVIA 5/3/2013	
PROJECT #: --		DRAWING NO	
DOCUMENT TYPE: SALES		50010255	
REL LEVEL: WorkInProgress		SHEET 1 OF 1	
		REV A	