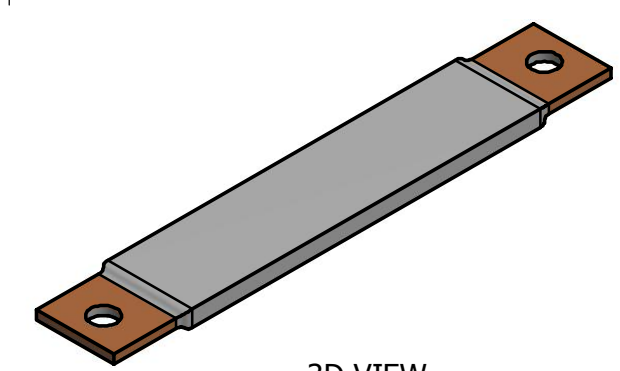
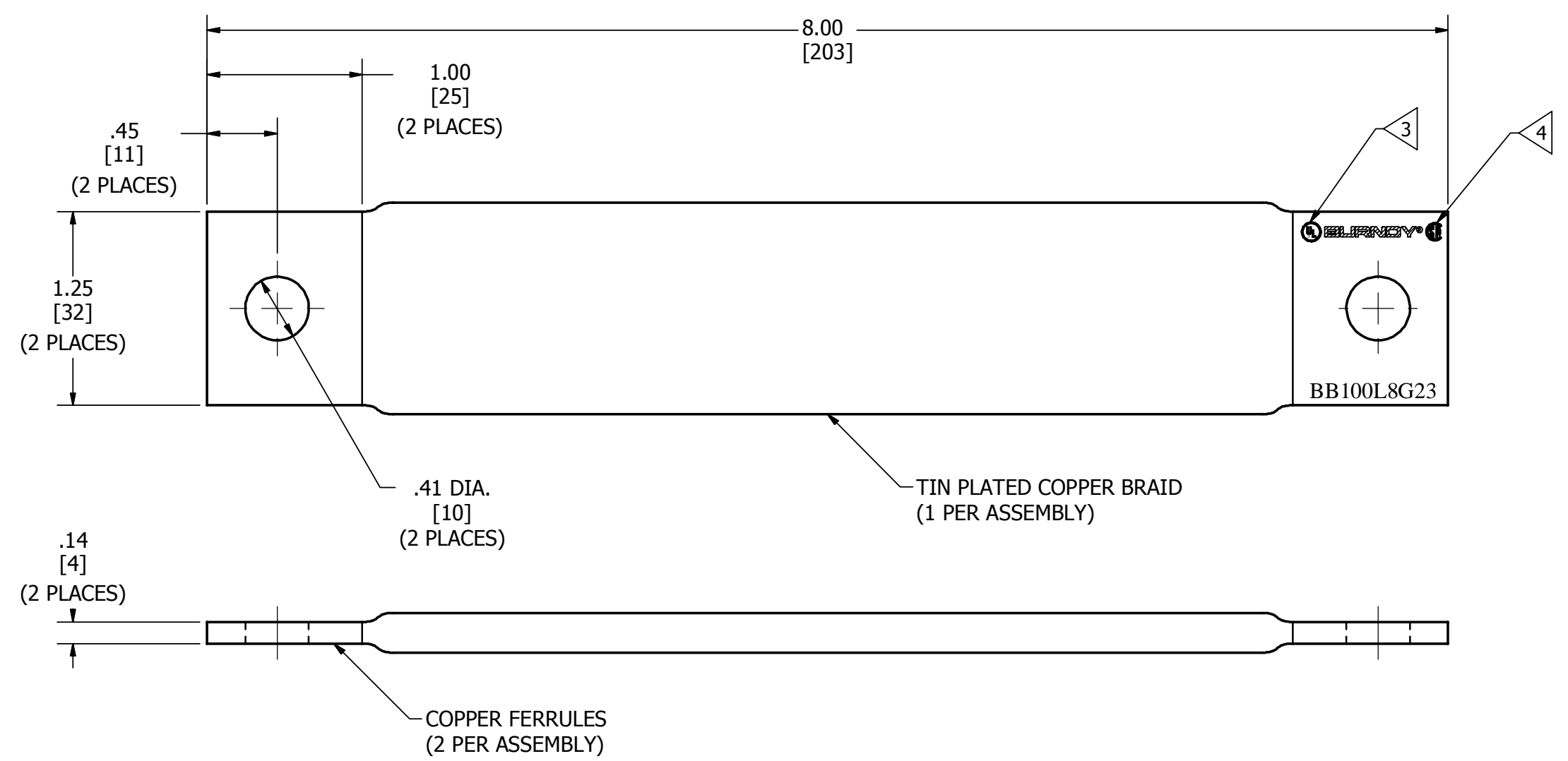


REV	DATE	DESCRIPTION	ECO	BY	CH'K
B	04/03/2014	THICKNESS MODIFIED FROM .16 TO .14	35123	VK	PB



NOTES:

1. APPROXIMATE AMP RATING: 290 AMPS. THIS RATING MIGHT VARY WITH AMBIENT CONDITIONS, ORIENTATION OF THE BRAID, AND OTHER OPERATING CONDITIONS.
2. DIMENSIONS IN BRACKETS [] ARE IN MILLIMETERS ROUNDED OFF TO THE NEAREST MILLIMETER, UNLESS OTHERWISE SPECIFIED AND ARE FOR REFERENCE ONLY.

- 3 BRAID IS UL LISTED.
- 4 BRAID IS CSA CERTIFIED.

TO ORDER BURNDY® PRODUCTS CALL		BRAID	
UNITED STATES 1-800-346-4175 (LONDONDERRY, NH)		ITEM NO: 50012143	
CANADA: 1-800-361-6975 (QUEBEC) 1-800-387-6487 (ALL OTHER PROVINCES)		CAT. NO: BB100L8G23	
FOR PRODUCT INFO: http://www.burndy.com		DRAWN BY: S RAMESH 11/28/2012	
		CHECKER: T REYNOLDS 12/1/2012	
		DSN APRVL: T REYNOLDS 12/1/2012	
		MFG APRVL: M STEVENS 03/01/2014	
		QA APRVL: C LINDQUIST 03/03/2014	
		MKT APRVL: --	
		PROJ #: --	
		PROJ #: --	
		DOCUMENT TYPE: SALES	
		REL LEVEL: Released	
		DRAWING NO	
		50012144	
		REV	
		B	
		SHEET 1 OF 1	