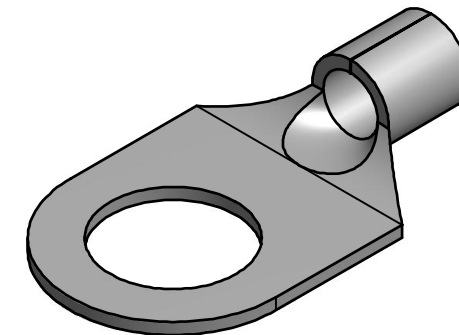
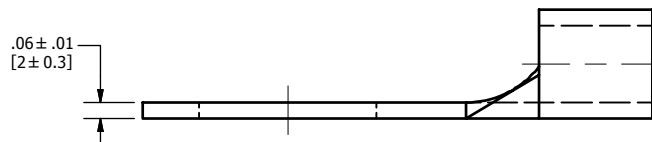
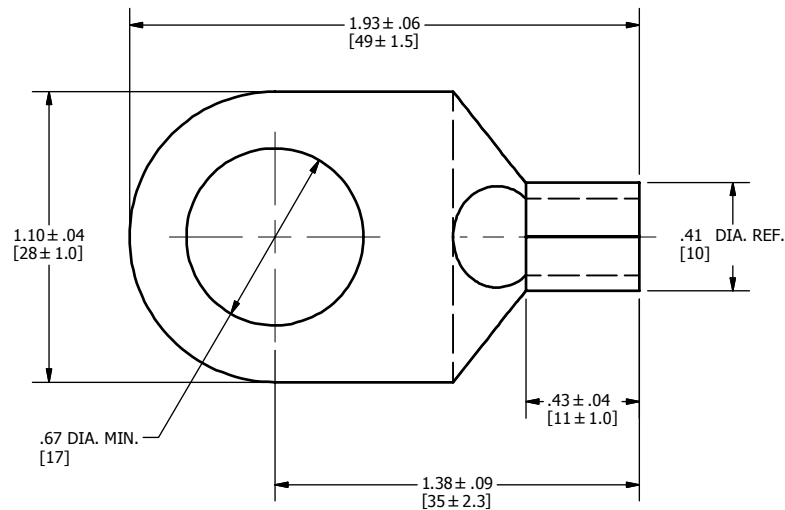


CAT. NO.	WIRE RANGE	STUD SIZE [METRIC SIZE]	HYDRAULIC TOOLING			DIELESS TOOLING	NO. CRIMPS	WIRE STRIP LENGTH
			DIE INDEX	TOOL CAT. NO.	DIE TYPE			
YAD4CM16E58	4 AWG STR. CU CODE & FLEX [16-25]mm ²	5/8" [16]	1017	Y35, Y39, Y750, PAT750	NEST	U2CD1	1	1/2"
					INDENTOR	Y34PR		

REV	DATE	DESCRIPTION	ECO	BY	C'H'K.
A	10/29/2012	CREATE SALES DRAWING	29205	RG	MA



NOTES:

1. MATERIAL: COPPER.
2. FINISH: TIN PLATED.

3 Y35P3 ADAPTOR REQUIRED FOR Y34PL INDENTORS IN Y35, Y39, Y750 AND PAT750 TOOLS.

4. DIMENSIONS IN BRACKETS [] ARE IN MILLIMETERS ROUNDED OFF TO THE NEAREST MILLIMETER, UNLESS OTHERWISE NOTED, AND ARE FOR REFERENCE ONLY.

TO ORDER BURNDY PRODUCTS CALL		NON-INSULATED BRAZED BARREL COPPER TERMINAL	
UNITED STATES		ITEM NO: 50002393	
1-800-346-4175 (LONDONDERRY, NH)		CAT. NO: YAD4CM16E58	
CANADA:		DRAWN BY: C. RAJEV 10/30/2012	
1-800-361-6975 (QUEBEC)		CHECKER: J. MICHAUD 11/29/2012	
1-800-387-6487 (ALL OTHER PROVINCES)		DSN APRVL: J. MICHAUD 11/29/2012	
FOR PRODUCT INFO: http://www.burndy.com		MFG APRVL: --	
		QA APRVL: S. GALE 11/29/2012	
		MKT APRVL: C. KOWALCZYK 11/29/2012	
		PROJ PART: CMR/COMPRESSION	
		PROJECT #:	
		SIZE	
		DRAWING NO	
		REV	
		50013651	
		A	
		SHEET 1 OF 1	