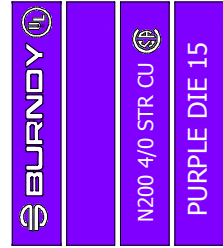
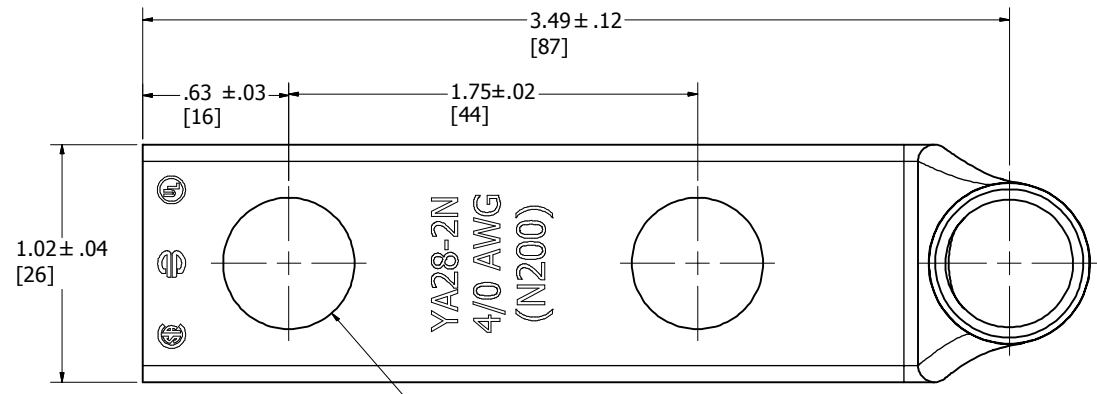
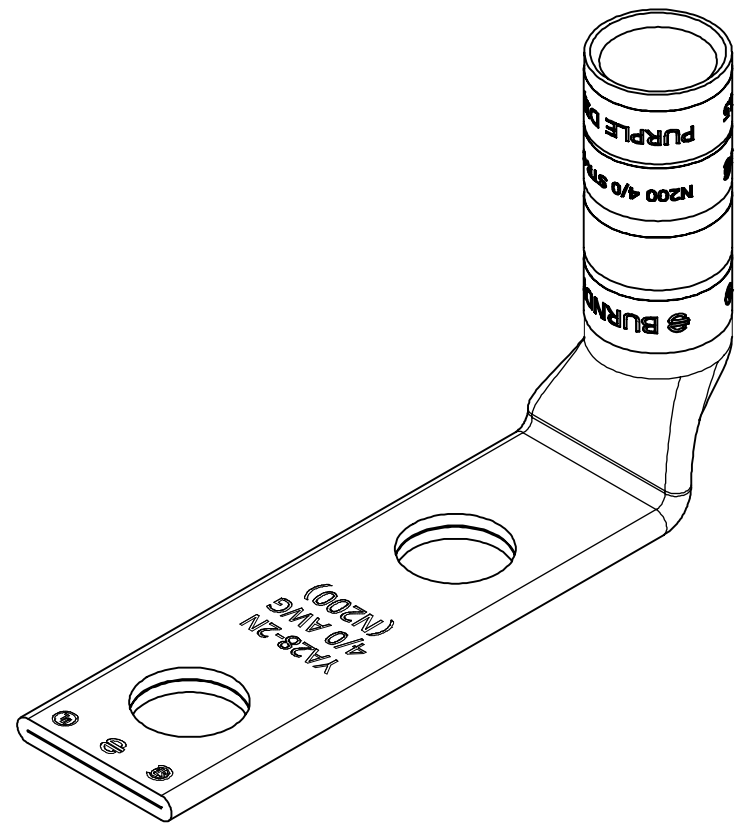
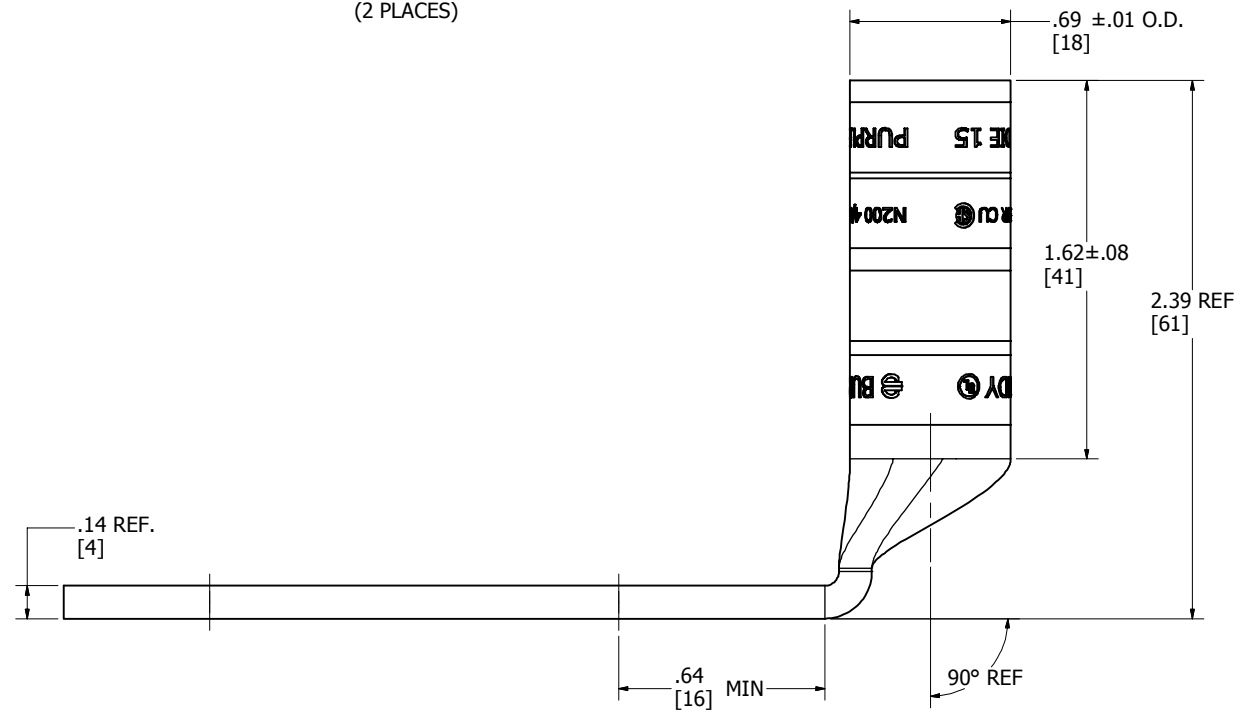


STRANDED COPPER CONDUCTOR ACCOMMODATED			BOLT SIZE	METRIC BOLT SIZE	COLOR CODE	DIE INFORMATION		MECHANICAL RATCHET					HYDRAULIC					DIELESS (# CRIMPS)	WIRE STRIP LENGTH	
CODE (AWG)	NAVY	METRIC SIZE (CLASS 2)				DIE INDEX	TYPE	Y1MRTC	OUR840	MD6 MD7	MD6-R2 MD7-34R	PATMD6 PAT600	Y34A Y34B Y34BH	Y35, Y39, Y750, PAT750	Y46 PAT46	Y45	Y48B			Y60BHU
4/0 AWG	200	----	1/2	M12	PURPLE	15	PURPLE DIE SET	----	X28RT (6)	W28RT (4) W28VT (4)	W28RT (4) W28VT (4)	W28RT (4) W28VT (4)	----	U28RT (2)	U28RT (2)	U28RT (2)	C28R(2)	L28RT(1)	MECHANICAL: MY29-3 (2), MY29 - 11(2) MRC - 840 (2) (4/0 ONLY)	1 - 11/16"
							NEST	----	----	----	----	----	B28D (1) A28D (1) Y34PR	U28D-1 (1) Y34PR	U28D-1 (1) Y34PR	U28D-1 (1) Y34PR	C28D(1) Y48PR	----	HYDRAULIC: Y644 (1) PAT644 (1) Y81KFT - SERIES (2) Y4PC834 - SERIES (2)	
							INDENTOR	----	----	----	----	----	----	----	----	----	----	----		

REV	DATE	DESCRIPTION	ECO	BY	CHK
A	11/2/2012	NEW SALES DRAWING CREATED	29234	SS	MA



BARREL MARKING



- NOTES:**
- MATERIAL: COPPER TUBING
  - FINISH: TIN PLATED.
  - CATALOG # PT6515 ADAPTOR IS REQUIRED TO USE "U" DIES IN Y45 SERIES TOOLS.
  - CATALOG # PUADP-1 ADAPTOR IS REQUIRED TO USE "U" DIES IN Y46 SERIES TOOLS.
  - Y35P3 INDENTOR ADAPTOR REQUIRED FOR Y34PR INDENTOR.
  - PERMANENT DIE IN TOOLING.
  - DIMENSIONS IN BRACKETS [ ] ARE IN MILLIMETERS ROUNDED OFF TO THE NEAREST MILLIMETER, UNLESS OTHERWISE NOTED, AND ARE FOR REFERENCE ONLY.
  - FOR USE BY CUSTOMERS THAT HAVE THIS HYPRESS.™ NO NEW Y34A HYPRESS™ TOOLS ARE BEING PROCESSED. Y34A USES A--D TYPE NEST DIES.
  - UL LISTED AND CSA CERTIFIED WIRE CONNECTOR.
  - "X", "W-RT", "W-VT", "U", & "L" DIE SETS ARE COLOR CODED. "A", "B", AND "C" DIES ARE NOT COLOR CODED. NESTS AND INDENTOR TYPE ARE NOT COLOR CODED.

TO ORDER BURNDY® PRODUCTS CALL		HYLUG™	
UNITED STATES 1-800-346-4175 (LONDONDERRY, NH)		ITEM NO: 502056	
CANADA: 1-800-361-6975 (QUEBEC) 1-800-387-6487 (ALL OTHER PROVINCES)		CAT. NO: YA282N90	
FOR PRODUCT INFO: <a href="http://www.burndy.com">http://www.burndy.com</a>		DRAWN BY: S.SRIRAM 11/2/2012 CHECKER: J. MICHAUD 4/9/2013 DSN APRVL: R. ROMAN 3/1/2013 MFG APRVL: M. KNAPTON 2/28/2013 QA APRVL: T. WATTS 2/28/2013 MKT APRVL: J. SYLVIA 3/19/2013	
		PROD FAM: CM&R COMPRESSION PROJECT #: -- DOCUMENT TYPE: SALES REL LEVEL: Released	