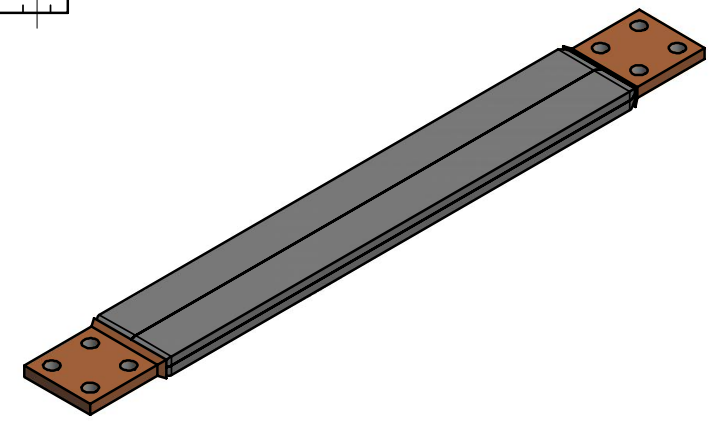
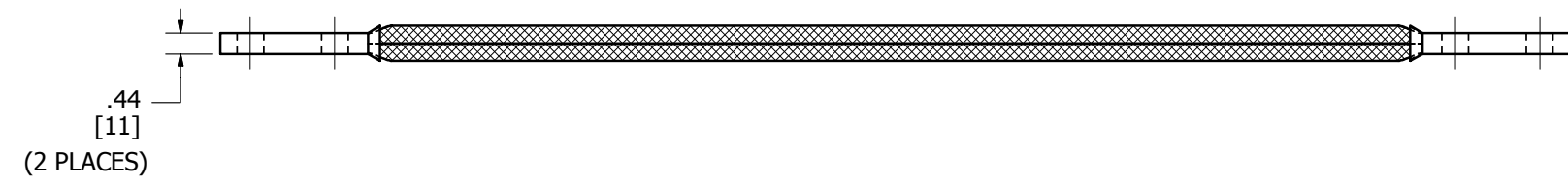
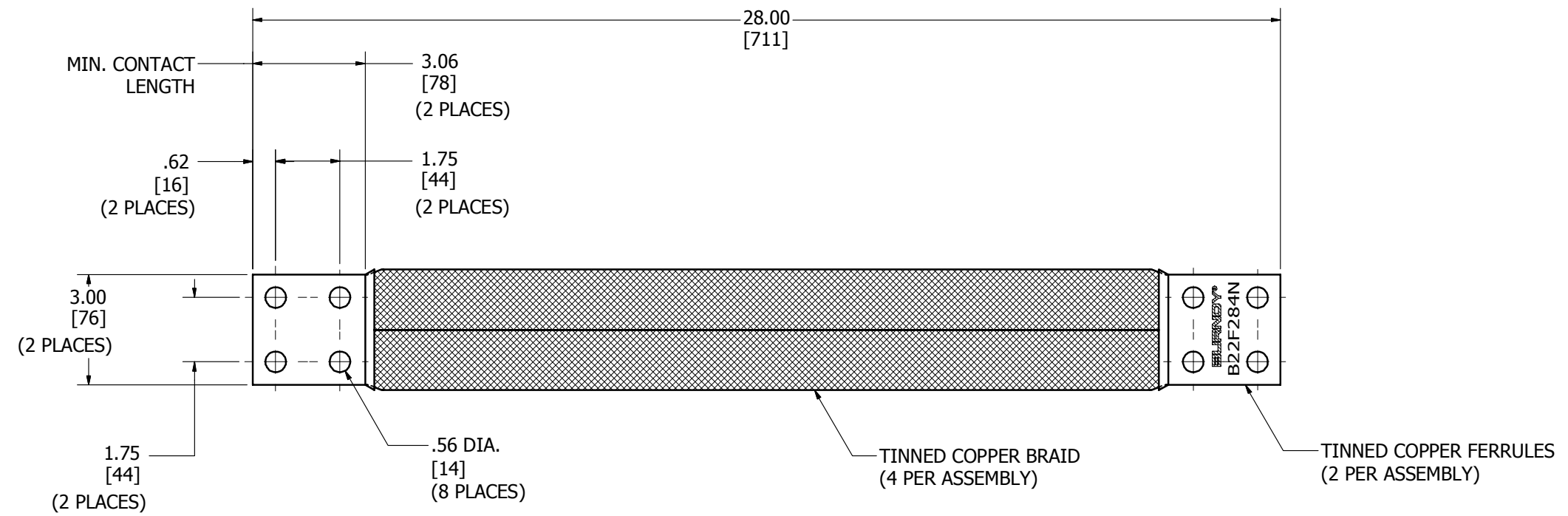


REV	DATE	DESCRIPTION	ECO	BY	C'H'K.
A	11/12/2012	SALES DRAWING FOR CAT # B22F284N	29539	PM	MB



NOTES:

1. APPROXIMATE AMP RATING : 1100A. THIS RATING MAY VARY WITH AMBIENT CONDITIONS, ORIENTATION OF THE BRAID, AND OTHER SERVICE CONDITIONS.
2. DIMENSIONS IN BRACKETS [ ] ARE IN MILLIMETERS ROUNDED OFF TO THE NEAREST MILLIMETER, UNLESS OTHERWISE NOTED, AND ARE FOR REFERENCE ONLY.
3. MATERIAL : COPPER

TO ORDER BURNDY® PRODUCTS CALL		BRAID	
UNITED STATES 1-800-346-4175 (LONDONDERRY, NH)		ITEM NO: 10013574	
CANADA: 1-800-361-6975 (QUEBEC) 1-800-387-6487 (ALL OTHER PROVINCES)		CAT. NO: B22F284N	
FOR PRODUCT INFO: <a href="http://www.burndy.com">http://www.burndy.com</a>		DRAWN BY: PALANI M 11/12/2012	
		CHECKER: --	
		DSN APRVL: --	
		MEG APRVL: --	
		QA APRVL: BRODEUR, JOE 04/11/2013	
		MKT APRVL: BAILLY, MICHAEL 04/11/2013	
		PROD FAM: MECHANICAL GROUNDING	
		DRAWING NO	
		50014375	
		REV	
		A	
		SHEET 1 OF 1	