

BURNDY FULL TENSION ACSR EHV DEAD END KITS

REV	DATE	DESCRIPTION	ECO	BY	C'H'K.
A	11/10/2012 00:00:00 AM	CREATE SALES DOCUMENTATION FOR SINGLE PAD EHV FULL TENSION DEADEND CONNECTOR FOR ACSR CONDUCTOR.	29417	MM	NJS

ACSR CONDUCTORS

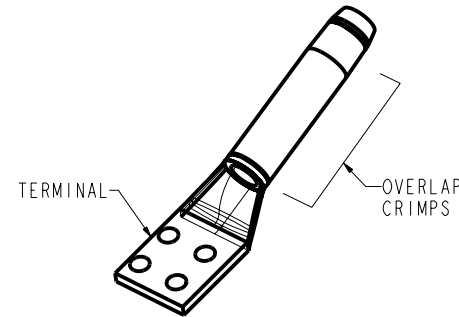
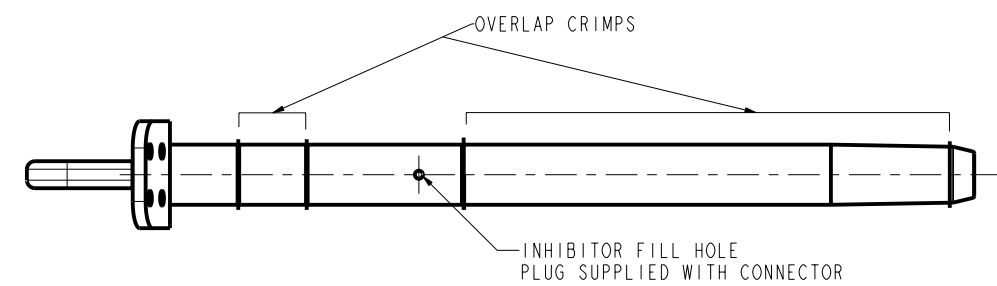
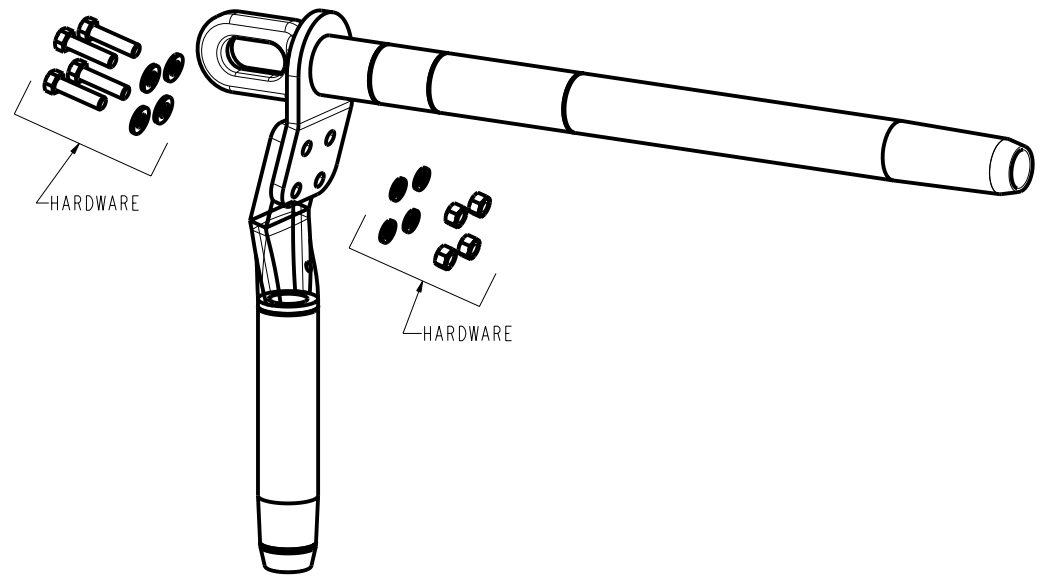
DEAD END KITS

KITS CONTAINS (REFERENCE SALES DRAWINGS FOR INSTALLATION TOOLING, INSTALLATION TOOLING NOT INCLUDED)

ALUMINUM DEAD END ASSY.

TERMINAL

ACSR CONDUCTOR CODE NAME	KCMIL	STRANDING	CONDUCTOR O.D. INCHES[MM]	KIT CATALOG NUMBER	KIT ITEM NUMBER	CATALOG NUMBER	COMPONENT SALES DRAWING	QTY	CATALOG NUMBER	MOUNTING HARDWARE CATALOG NUMBER	COMPONENT SALES DRAWING	QTY
LINNET	336.4	26/7	0.720 [18]	YTW32RT34REK	30011124	YTW32RT34REKNT		1	YNA32RT15H	TMH3		1
ORIOLE	336.4	30/7	0.741 [19]	YTW32RT33REK	30011122	YTW32RT33REKNT		1	YNA32RT15H	TMH3		1
IBIS	397.5	26/7	0.783 [20]	YTW34RT34REK	30011140	YTW34RT34REKNT		1	YNA34RT15H	TMH3		1
FLICKER	477	24/7	0.846 [21]	YTW36RT362REK	30011160	YTW36RT362REKNT		1	YNA36RT15H	TMH23		1
HAWK	477	26/7	0.858 [22]	YTW36RT36REK	30011162	YTW36RT36REKNT		1	YNA36RT15H	TMH23		1
PARAKEET	556.5	24/7	0.914 [23]	YTW39RT43REK	30011177	YTW39RT43REKNT		1	YNA39RT15H	TMH23		1
DOVE	556.5	26/7	0.927 [24]	YTW39RT43REK	30011177	YTW39RT43REKNT		1	YNA39RT15H	TMH23		1
PEACOCK	605	24/7	0.953 [24]	YTW43RT43REK	30011192	YTW43RT43REKNT		1	YNA43RT15H	TMH4		1
SQUAB	605	26/7	0.966 [25]	YTW43RT43REK	30011192	YTW43RT43REKNT		1	YNA43RT15H	TMH4		1
ROOK	636	24/7	0.977 [25]	YTW43RT43REK	30011192	YTW43RT43REKNT		1	YNA43RT15H	TMH4		1
GROSBEAK	636	26/7	0.991 [25]	YTW43RT43REK	30011192	YTW43RT43REKNT		1	YNA43RT15H	TMH4		1
FLAMINGO	666.6	24/7	1.000 [25]	YTW43RT43REK	30011192	YTW43RT43REKNT		1	YNA43RT15H	TMH4		1
STARLING	715.5	26/7	1.051 [27]	YTW451RT48REK	10083993	YTW451RT48REKNT		1	YNA451RT15H	TMH4		1
CUCKOO	795	24/7	1.092 [28]	YTW451RT45REK	10105686	YTW451RT45REKNT		1	YNA451RT15H	TMH4		1
DRAKE	795	26/7	1.108 [28]	YTW451RT48REK	10083993	YTW451RT48REKNT		1	YNA451RT15H	TMH4		1
TERN	795	45/7	1.063 [27]	YTW451RT48IREK	30011215	YTW451RT48IREKNT		1	YNA451RT15H	TMH4		1
CONDOR	795	54/7	1.092 [28]	YTW451RT45REK	10105686	YTW451RT45REKNT		1	YNA451RT15H	TMH4		1
RUDDY	900	45/7	1.131 [29]	YTW48RT48IREK	30011255	YTW48RT48IREKNT		1	YNA49RT15H	TMH24		1
RAIL	954	45/7	1.165 [30]	YTW48RT48IREK	30011255	YTW48RT48IREKNT	50014614	1	YNA49RT15H	TMH24	SD64930	1
CARDINAL	954	54/7	1.196 [30]	YTW48RT48REK	10105682	YTW48RT48REKNT		1	YNA49RT15H	TMH24		1
ORTOLAN	1033.5	45/7	1.212 [31]	YTW49RT483REK	10108658	YTW49RT483REKNT		1	YNA49RT15H	TMH24		1
CURLEW	1033.5	54/7	1.245 [31]	YTW49RT50REK	30011267	YTW49RT50REKNT		1	YNA49RT15H	TMH24		1
BLUEJAY	1113	45/7	1.258 [32]	YTW49RT483REK	10108658	YTW49RT483REKNT		1	YNA49RT15H	TMH24		1
FINCH	1113	54/19	1.292 [33]	YTW52RT50REK	30011286	YTW52RT50REKNT		1	YNA52RT15H	TMH9		1
BUNTING	1192.5	45/7	1.302 [33]	YTW52RT52IREK	30011287	YTW52RT52IREKNT		1	YNA52RT15H	TMH9		1
BITTERN	1272	45/7	1.345 [34]	YTW52RT52IREK	30011287	YTW52RT52IREKNT		1	YNA52RT15H	TMH9		1
PHEASANT	1272	54/19	1.381 [35]	YTW52RT56REK	30011288	YTW52RT56REKNT		1	YNA52RT15H	TMH9		1
DIPPER	1351.5	45/7	1.386 [35]	YTW52RT52IREK	30011287	YTW52RT52IREKNT		1	YNA52RT15H	TMH9		1
MARTIN	1351.5	54/19	1.424 [36]	YTW52RT56REK	30011288	YTW52RT56REKNT		1	YNA52RT15H	TMH9		1
NUTHATCH	1510.5	45/7	1.465 [37]	YTW549RT52IREK	30011306	YTW549RT52IREKNT		1	YNA56RT15H	TMH9		1
PARROT	1510.5	54/19	1.505 [38]	YTW549RT56REK	30011309	YTW549RT56REKNT		1	YNA56RT15H	TMH9		1
LAPWING	1590	45/7	1.504 [38]	YTW549RT549REK	30011308	YTW549RT549REKNT		1	YNA56RT15H	TMH9		1
FALCON	1590	54/19	1.544 [39]	YTW56RT590REK	10104338	YTW56RT590REKNT		1	YNA56RT15H	TMH9		1
CHUKAR	1780	84/19	1.602 [41]	YTW58RT58REK	30011331	YTW58RT58REKNT		1	YNA58RT15H	TMH9		1
BLUEBIRD	2156	84/19	1.762 [45]	YTW59RT59REK	30011352	YTW59RT59REKNT		1	YNA59RT15H	TMH9		1
KIWI	2167	72/7	1.735 [44]	YTW59RT59IREK	30011350	YTW59RT59IREKNT		1	YNA59RT15H	TMH9		1



- NOTES:
- MATERIAL
 - CONNECTOR EYE, STEEL ALLOY
 - CONNECTOR TUBE ASSEMBLY AND TERMINAL, ALUMINUM ALLOY, NO-OX-ID COATED
 - HARDWARE: BOLTS, FLAT WASHERS AND NUTS, ALUMINUM ALLOY
 - RESILIENT WASHERS, GALVANIZED STEEL
 - RUBBER GASKET
 - RECOMMENDED TIGHTENING TORQUE:
ALUMINUM HARDWARE: 1/2-13 300 INCH POUNDS.
 - DESIGNED FOR CORONA FREE OPERATION TO 230 KV. WITHOUT ACCESSORIES.
 - DIMENSIONS IN BRACKETS [] DENOTES METRIC UNITS [SI UNITS] AND ARE ROUNDED TO THE NEAREST WHOLE NUMBER. UNLESS OTHERWISE SPECIFIED THESE UNITS SHALL BE USED FOR REFERENCE ONLY.

TO ORDER BURNDY® PRODUCTS CALL		SINGLE PAD, EHV FULL TENSION DEADEND KIT-ACSR	
UNITED STATES		ITEM NO: SEE TABLE	
1-800-346-4175 (LONDONDERRY, NH)		CAT. NO: SEE TABLE	
CANADA:		DRAWN BY: M MOHAN 11/15/12	
1-800-361-6975 (QUEBEC)		CHECKER: J SUDHAKAR 11/16/12	
1-800-387-6487 (ALL OTHER PROVINCES)		DSN APPVL: P WALTZ 12/07/12	
FOR PRODUCT INFO: http://www.burndy.com		MFG APPVL: -- --	
		QA APPVL: -- --	
		MKT APPVL: D HAMILTON 12/07/12	
		SCALE: 3:10	
		PROJ FAM: -- --	
		DRAWING NO	
		50014613	
		REV	
		A	
		SHEET 1 OF 1	

REV: PE0200