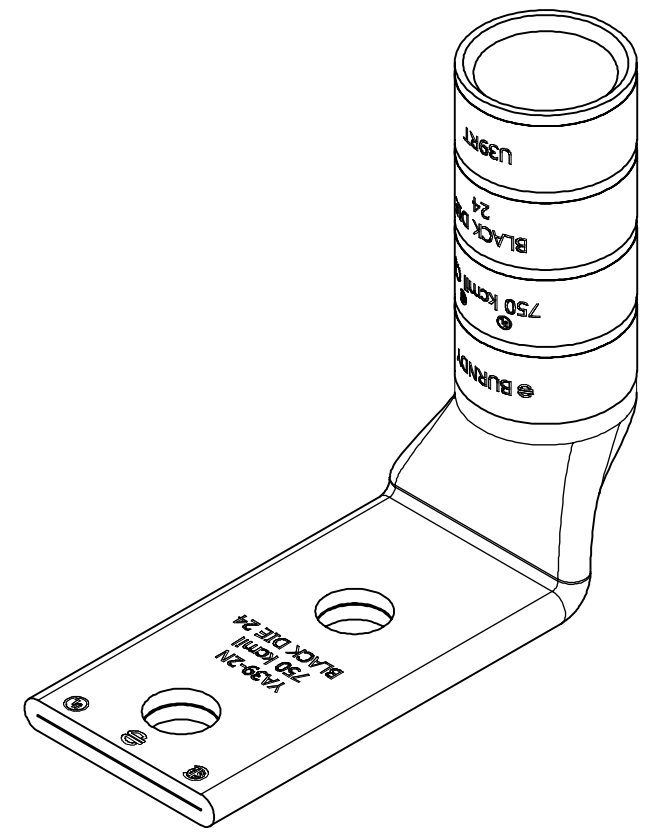
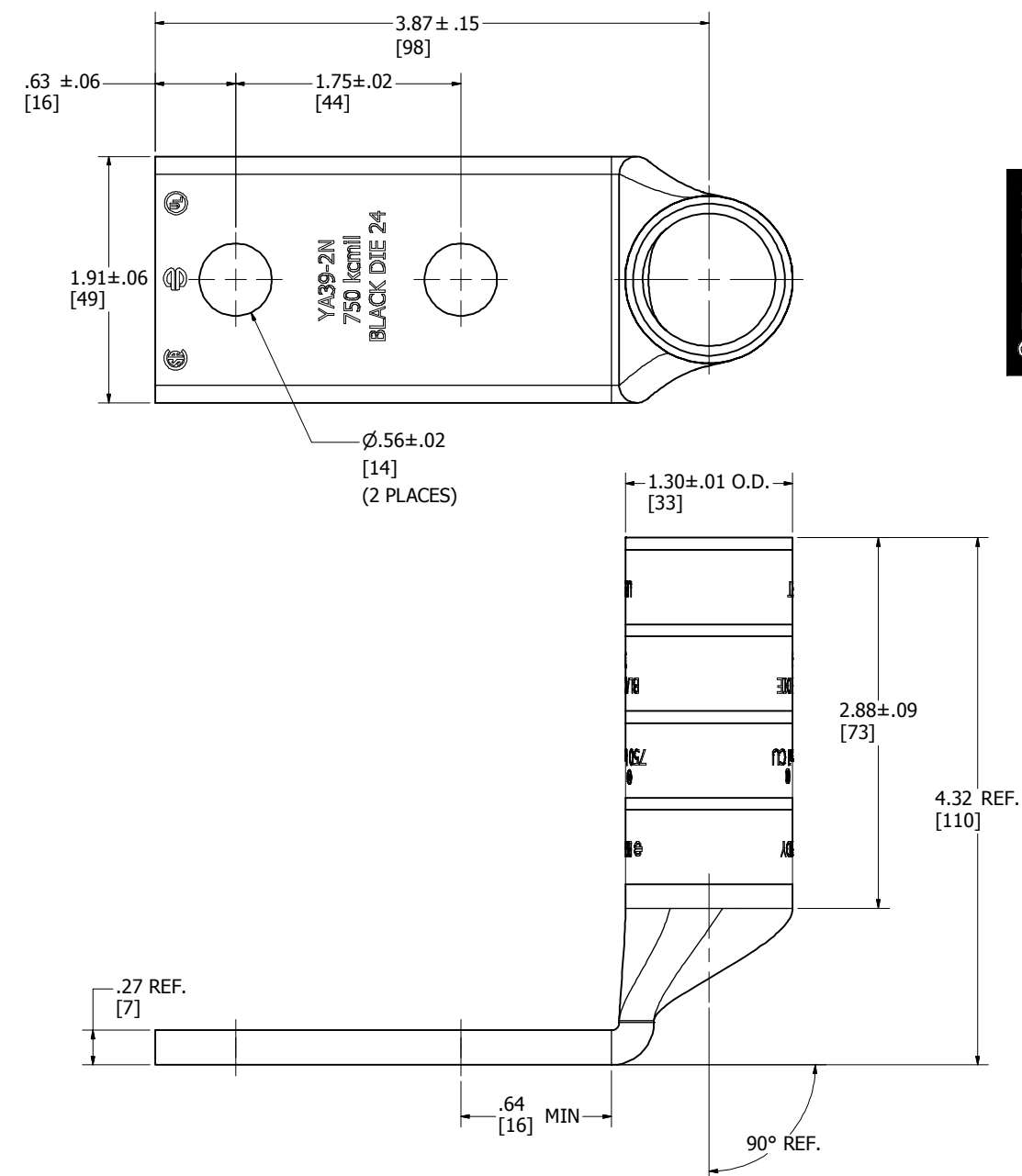


STRANDED COPPER CONDUCTOR ACCOMMODATED			BOLT SIZE	METRIC BOLT SIZE	COLOR CODE	DIE INFORMATION		MECHANICAL RATCHET					HYDRAULIC					DIELESS (# CRIMPS)	WIRE STRIP LENGTH	
CODE (AWG)	NAVY	METRIC SIZE (CLASS 2)				DIE INDEX	TYPE	Y1MRTC	OUR840	MD6 MD7	MD6--R2 MD7-34R	PAT600 Y500	Y34A Y34B Y34BH	Y35, Y39 Y750, PAT750	Y46 PAT46	Y45	Y48B			Y60BHU
750 kcmil	----	375mm <sup>2</sup> STR	1/2	M12	BLACK	24	BLACK DIE SET	----	----	----	----	----	----	U39RT(4)	U39RT(4) P39RT(4)	U39RT(4) S39RT(4)	C39R(2) C36AR(2)	L39RT(2) L36ART(2)	HYDRAULIC: Y644(1) PAT644(1) Y81KFT(4) PAT81KFT(4)	2 - 15/16"
							NEST INDENTOR	----	----	----	----	----	----	P39D(2) P44PR	----	----	C39D(2) Y48PR	----		

REV	DATE	DESCRIPTION	ECO	BY	CHK
A	11/19/2012	NEW SALES DRAWING CREATED	29389	CG	MA



- NOTES:**
- MATERIAL: COPPER TUBING
  - FINISH: TIN PLATED.
  - CATALOG # PT6515 ADAPTOR IS REQUIRED TO USE "U" DIES IN Y45 SERIES TOOLS.
  - CATALOG # PUADP-1 ADAPTOR IS REQUIRED TO USE "U" DIES IN Y46 SERIES TOOLS.
  - PERMANENT DIE IN TOOLING.
  - DIMENSIONS IN BRACKETS [ ] ARE IN MILLIMETERS ROUNDED OFF TO THE NEAREST MILLIMETER, UNLESS OTHERWISE NOTED, AND ARE FOR REFERENCE ONLY.
  - FOR USE BY CUSTOMERS THAT HAVE THIS HYPRESS.™ NO NEW Y34A HYPRESS™ TOOLS ARE BEING PROCESSED. Y34A USES A--D TYPE NEST DIES.
  - UL LISTED AND CSA CERTIFIED WIRE CONNECTORS.
  - "X", "W-RT", "W-VT", "U", & "L" DIE SETS ARE COLOR CODED. "A", "B", AND "C" DIES ARE NOT COLOR CODED. NESTS AND INDENTOR TYPE ARE NOT COLOR CODED.

TO ORDER BURNDY® PRODUCTS CALL		HYLUG™													
UNITED STATES 1-800-346-4175 (LONDONDERRY, NH)		ITEM NO: 510242													
CANADA: 1-800-361-6975 (QUEBEC) 1-800-387-6487 (ALL OTHER PROVINCES)		CAT. NO: YA392N90													
FOR PRODUCT INFO: <a href="http://www.burndy.com">http://www.burndy.com</a>		<table border="1"> <tr> <td>DRAWN BY: GANESAN</td> <td>11/19/2012</td> </tr> <tr> <td>CHECKER: J.MICHAUD</td> <td>5/2/2013</td> </tr> <tr> <td>DSN APRVL: R.ROMAN</td> <td>4/26/2013</td> </tr> <tr> <td>MFG APRVL: M.KNAPTON</td> <td>4/26/2013</td> </tr> <tr> <td>QA APRVL: T.WATTS</td> <td>4/29/2013</td> </tr> <tr> <td>MKT APRVL: J.SYLVIA</td> <td>4/25/2013</td> </tr> </table>		DRAWN BY: GANESAN	11/19/2012	CHECKER: J.MICHAUD	5/2/2013	DSN APRVL: R.ROMAN	4/26/2013	MFG APRVL: M.KNAPTON	4/26/2013	QA APRVL: T.WATTS	4/29/2013	MKT APRVL: J.SYLVIA	4/25/2013
DRAWN BY: GANESAN	11/19/2012														
CHECKER: J.MICHAUD	5/2/2013														
DSN APRVL: R.ROMAN	4/26/2013														
MFG APRVL: M.KNAPTON	4/26/2013														
QA APRVL: T.WATTS	4/29/2013														
MKT APRVL: J.SYLVIA	4/25/2013														
PROD FAM: CM&R COMPRESSION		DRAWING NO	REV												
PROJECT #: --		50014952	A												
DOCUMENT TYPE: SALES		SIZE													
REL LEVEL: Released		D													
		SHEET 1 OF 1													