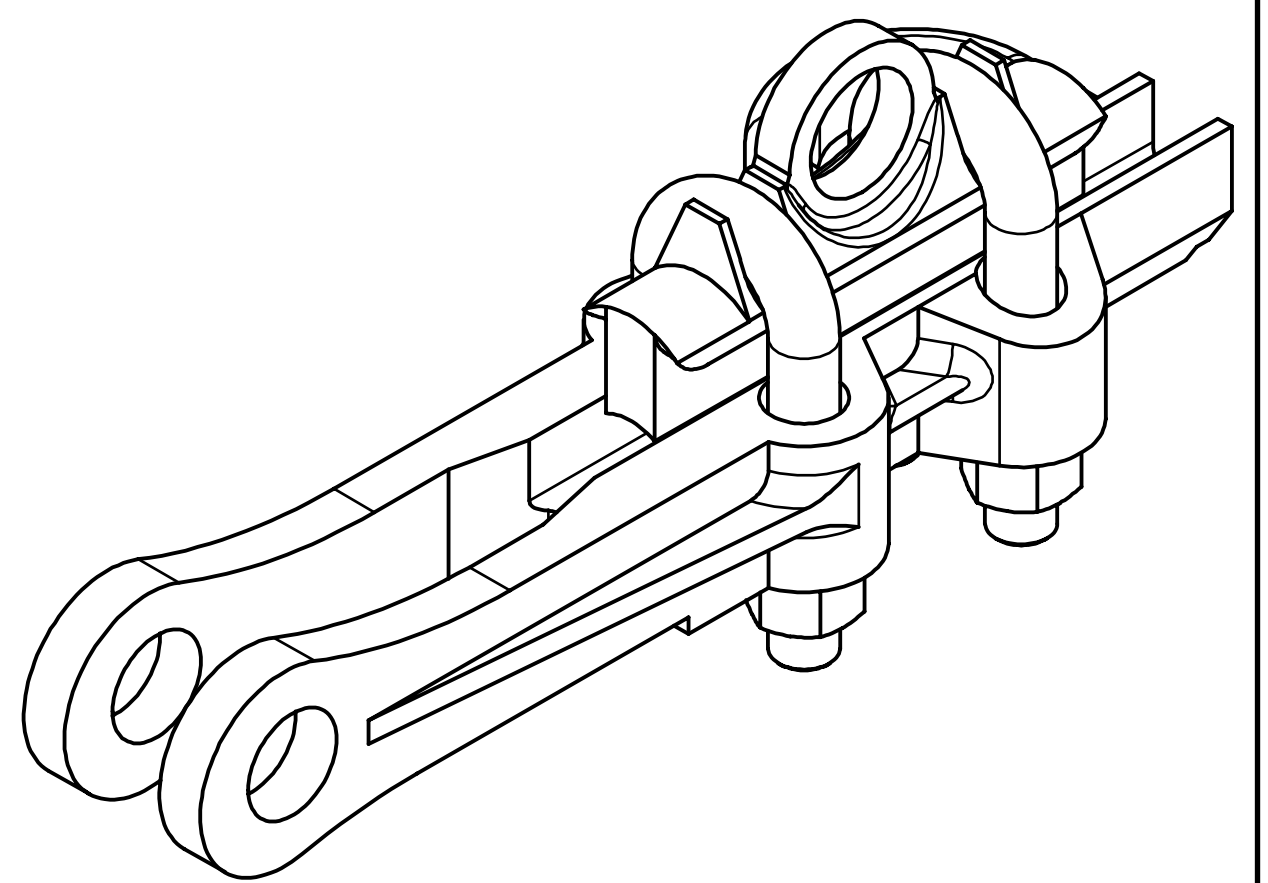
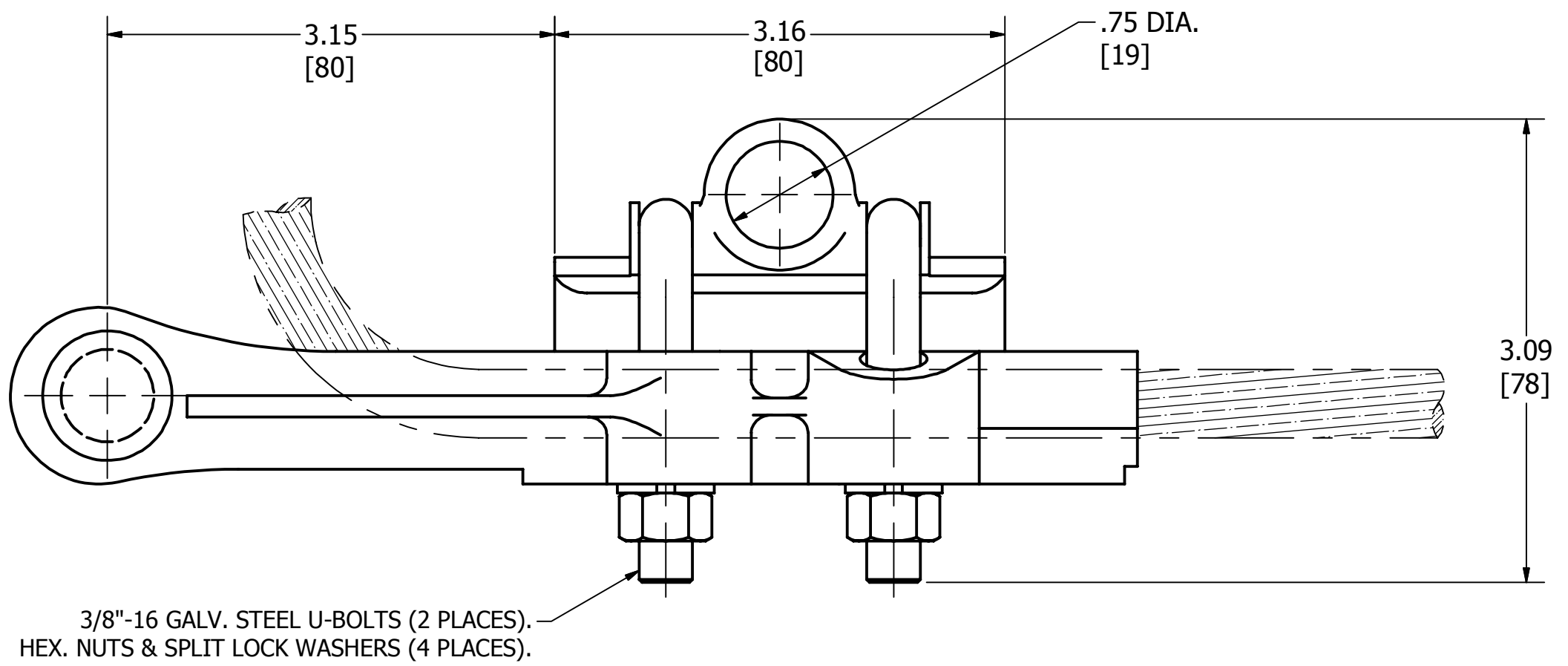
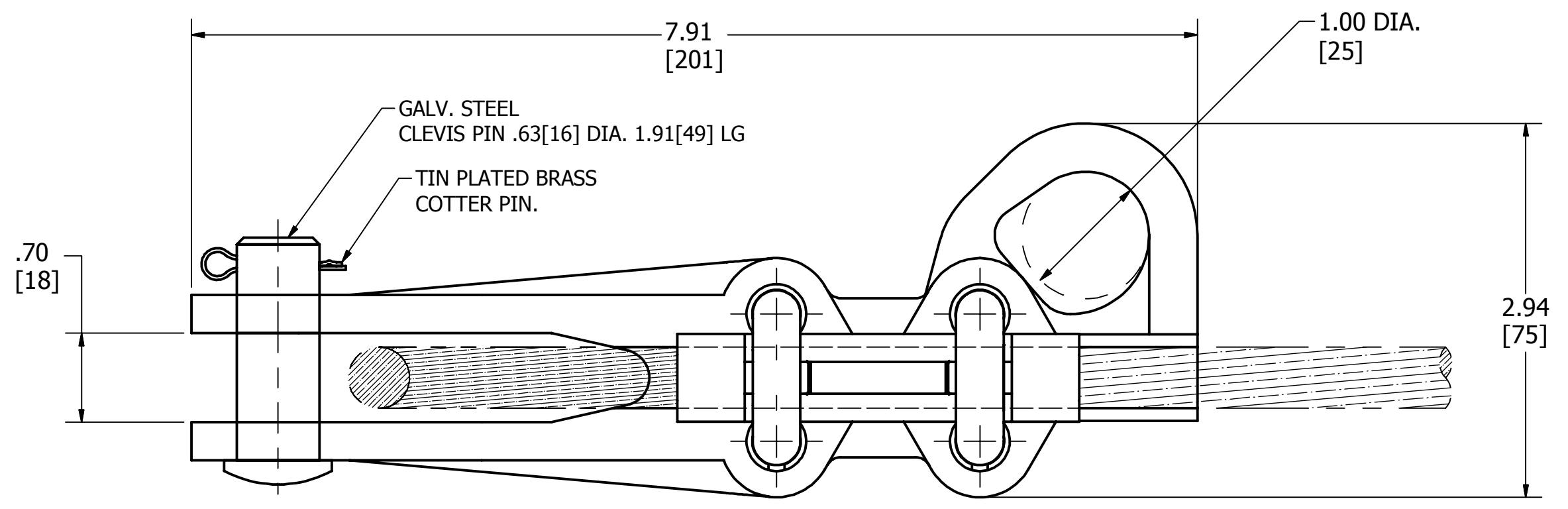


REV	DATE	DESCRIPTION	ECO	BY	C'H'K.
A	11/20/2012	SALES DRAWING FOR CAT # CUW26RE1	29218	PM	MB



**NOTES:**

1. DIMENSIONS IN BRACKETS [ ] ARE IN MILLIMETERS ROUNDED OFF TO THE NEAREST MILLIMETER, UNLESS OTHERWISE SPECIFIED AND ARE FOR REFERENCE ONLY.
2. MATERIAL : CAST ALUMINUM ALLOY.
3. ACCOMMODATES : #4 (6-1 STR) .250[6] DIA. TO 2/0 (6-1 STR) .447[11] DIA. ALUMINUM OR ACSR.

TO ORDER BURNDY® PRODUCTS CALL		STRAIN CLAMP	
UNITED STATES		ITEM NO: 129128	
1-800-346-4175 (LONDONDERRY, NH)		CAT. NO: CUW26RE1	
CANADA:		DRAWN BY: PALANI M 11/20/2012	
1-800-361-6975 (QUEBEC)		CHECKER: --	
1-800-387-6487 (ALL OTHER PROVINCES)		DSN APRVL: --	
FOR PRODUCT INFO: <a href="http://www.burndy.com">http://www.burndy.com</a>		MFG APRVL: --	
		QA APRVL: JAMES 04/15/2013	
		MKT APRVL: HALL 04/12/2013	
		PROD FAM: --	
		PROJECT #: --	
		DOCUMENT TYPE: SALES	
		REL LEVEL: Released	
		SIZE	DRAWING NO
		C	50015025
			SHEET 1 OF 1
			REV
			A

