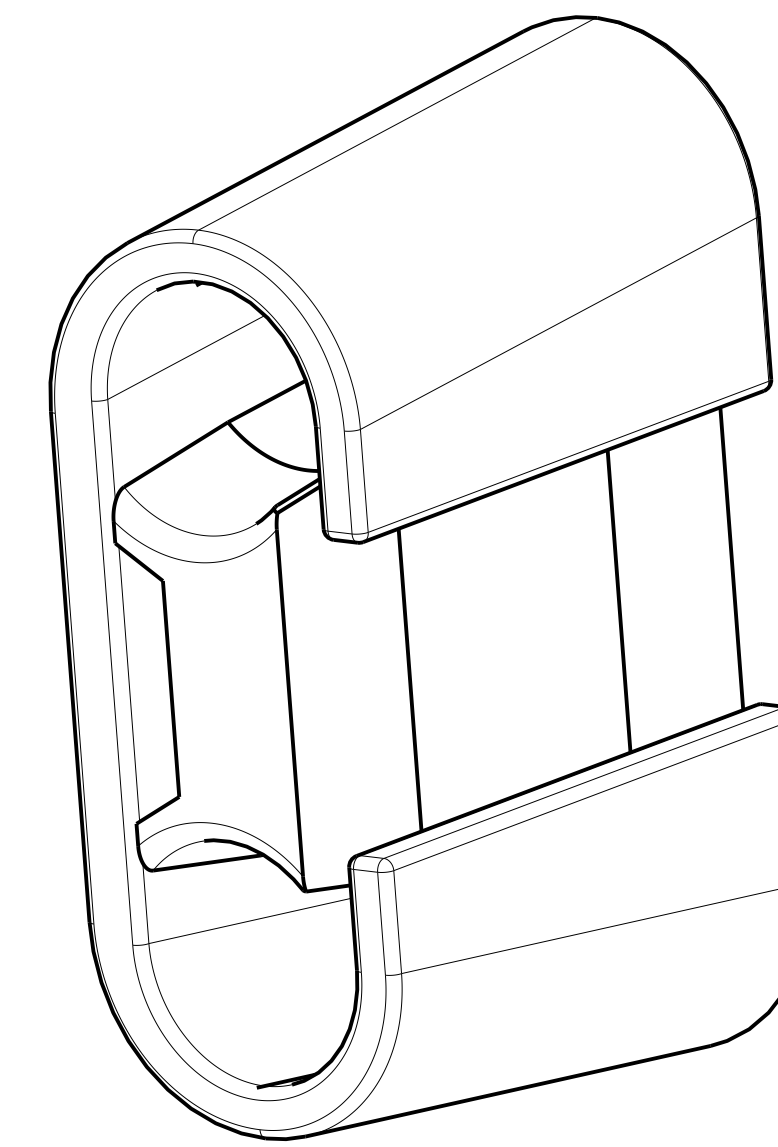
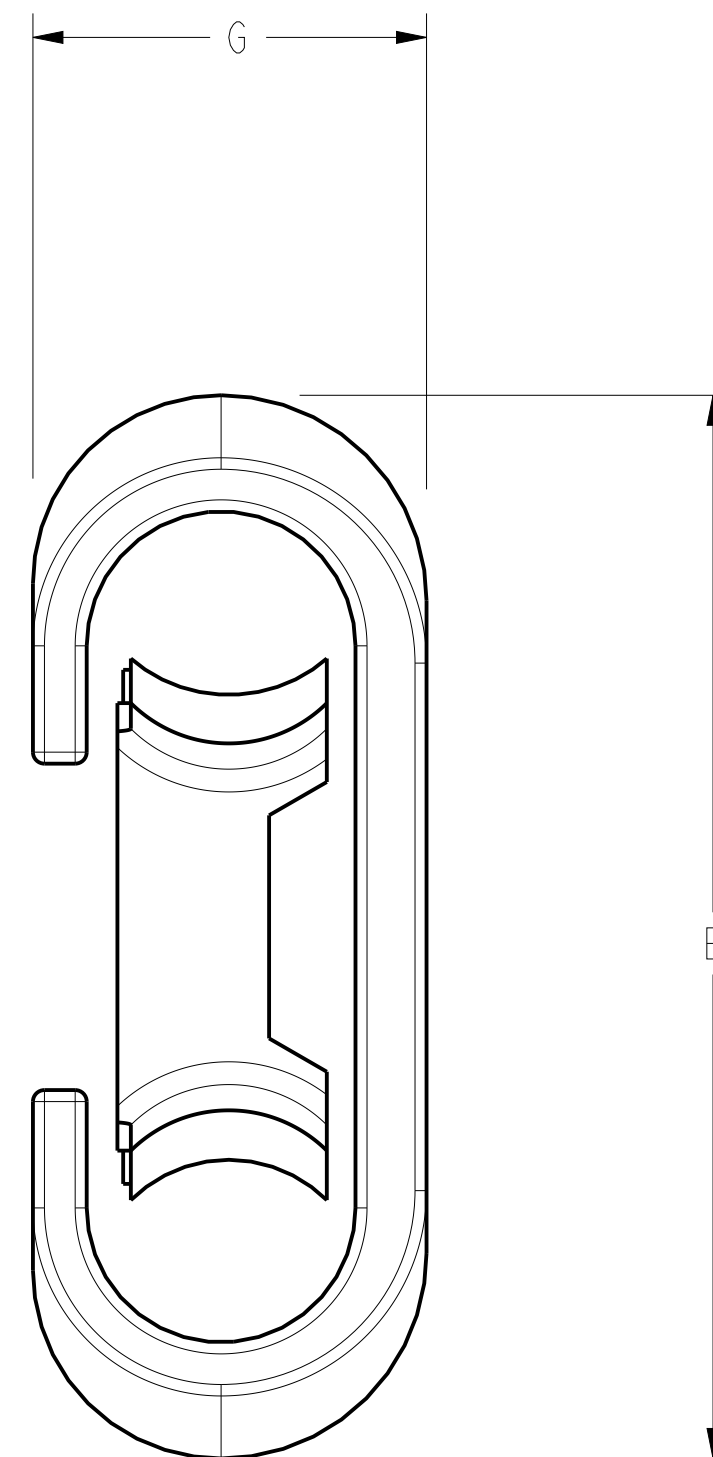
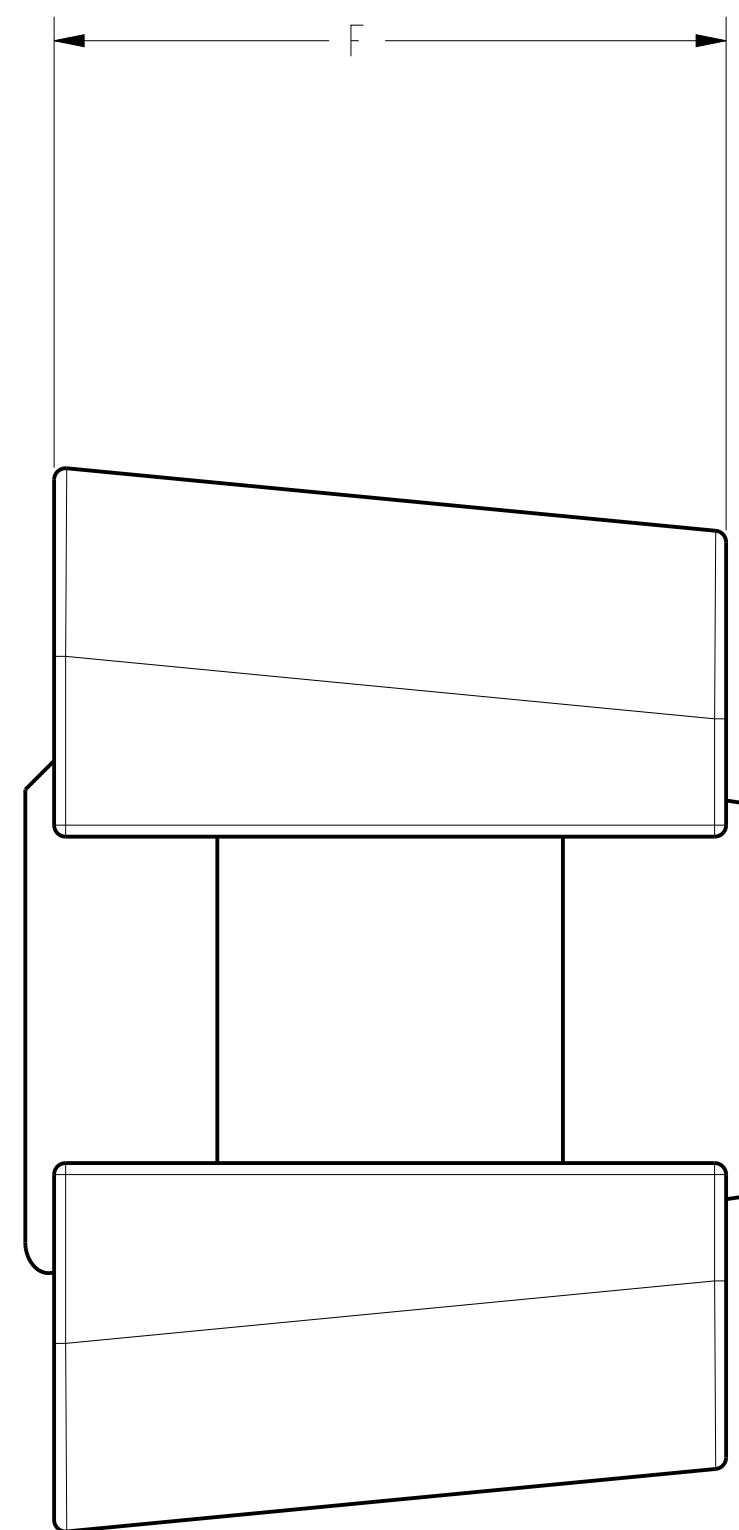


CATALOG NUMBER	ITEM NUMBER	DIMENSIONS			RUN	TAP	INSTALLATION BOOSTER COLOR
		E	F	G			
WCY143	30013591					1033.5 ACSR (54/7)	YELLOW
WCY147	30013595	6.68 [170]	3.75 [95]	2.29 [58]	1590 AAC	477 ACSR (18/1)	
WCY149	30023871					266.8 ACSR (18/1)	

REV	DATE	DESCRIPTION	ECO	BY	C'H'K.
A	11/21/2012 22:00:00 PM	NEW SALES DRAWING CREATION	29514	PM	MB



NOTES:

1. MATERIAL: HIGH ALUMINUM ALLOY.
2. CONDUCTOR GROOVES PREFILLED WITH PENETROX™ CAT. NO. PENAI3.
3. CONNECTOR IS INDIVIDUALLY PACKAGED IN POLY BAGS AND INCLUDES WEDGE AND C-BODY. (BOOSTER NOT INCLUDED)

TO ORDER BURNDY® PRODUCTS CALL		ALUMINUM WEJTAP™	
UNITED STATES		ITEM NO: SEE TABLE	
1-800-346-4175 (LONDONDERRY, NH)		CAT. NO: SEE TABLE	
CANADA:		DRAWN BY: PALANI M 11/21/2012	
1-800-361-6975 (QUEBEC)		CHECKER: T PLANTE 04/30/2013	
1-800-387-6487 (ALL OTHER PROVINCES)		DSN APPVL: T PLANTE 04/30/2013	
FOR PRODUCT INFO: <a href="http://www.burndy.com">http://www.burndy.com</a>		MFG APPVL: --	
		GA APPVL: C ACKERMAN 05/03/2013	
		MKT APPVL: B CRUTCHER 04/25/2013	
		PROD FAM: WEJTAP	SCALE: 1:1
		PROJECT #: --	DRAWING NO
		DOCUMENT TYPE: Sales	50015026
		REL LEVEL: Released	SHEET 1 OF 1



REV: PEO200