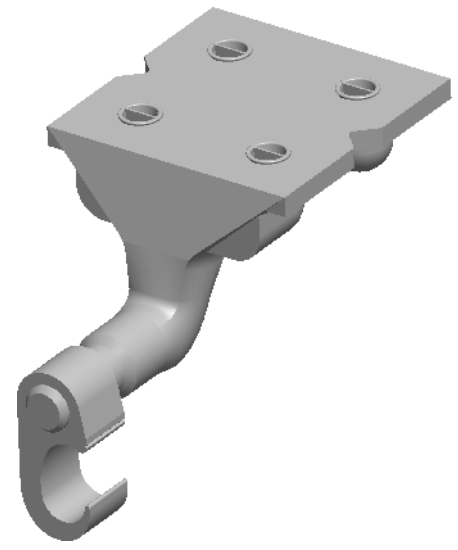
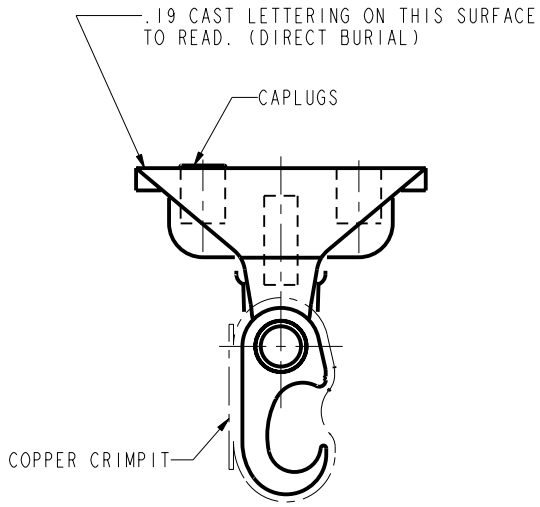
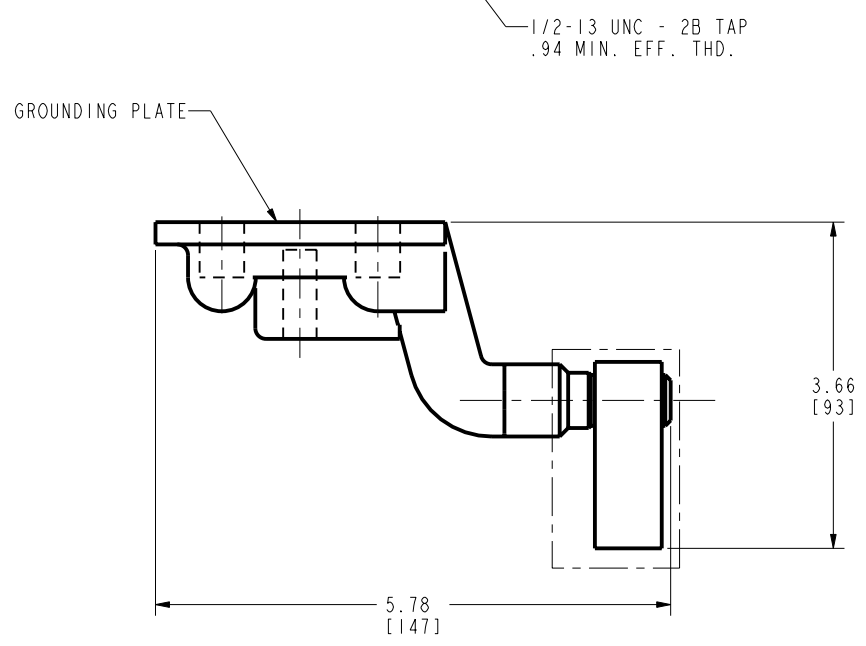
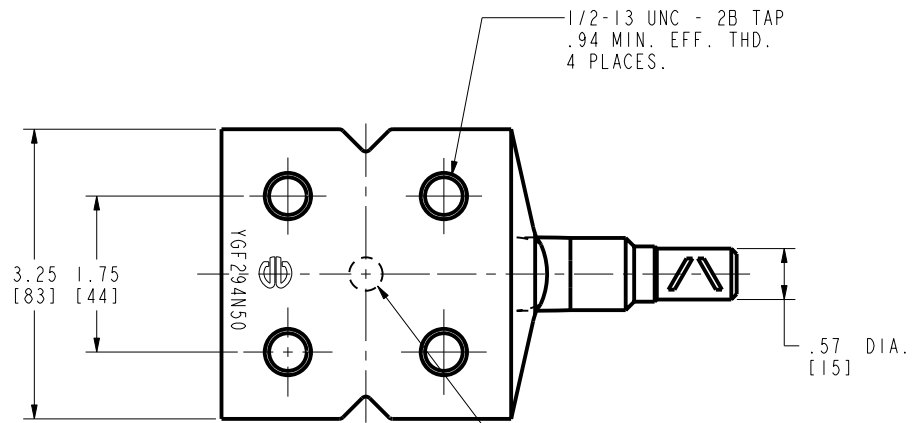


DRAWING NO.
50015343

REV	DATE	DESCRIPTION	ECO	BY	C'H'K.
A	04/19/2013 00:00:00 AM	SALES DRAWING FOR CAT. # YGF294N50	31359	PM	MB



- NOTES:
- MATERIAL : CAST COPPER ALLOY.
 - ACCOMMODATES : #2 STR. (.292 [7] DIA.) TO 250 Kcmil (.575 [15] DIA.).
 - DIMENSIONS IN BRACKETS [] ARE IN MILLIMETERS ROUNDED OFF TO THE NEAREST MILLIMETER, UNLESS OTHERWISE SPECIFIED AND ARE FOR REFERENCE ONLY.

TO ORDER BURNDY® PRODUCTS CALL		ITEM NO: 279076	
UNITED STATES		CAT. NO: YGF294N50	
1-800-346-4175 (LONDONDERRY, NH)		DRAWN BY: PALANI M 11/22/2012	
		CHECKER: J MICHAUD 05/02/2013	
		DSN APPVL: J MICHAUD 05/02/2013	
		MFG APPVL: -- --	
		QA APPVL: J HILLMAN 04/23/2013	
		MKT APPVL: P THERRIEN 04/22/2013	
		SCALE: 1:1	
		PROJ APPVL: --	
		DRAWING NO	
		50015343	
		REV	
		A	
		SHEET 1 OF 1	

FOR PRODUCT INFO: <http://www.burndy.com>

REV: PE0200