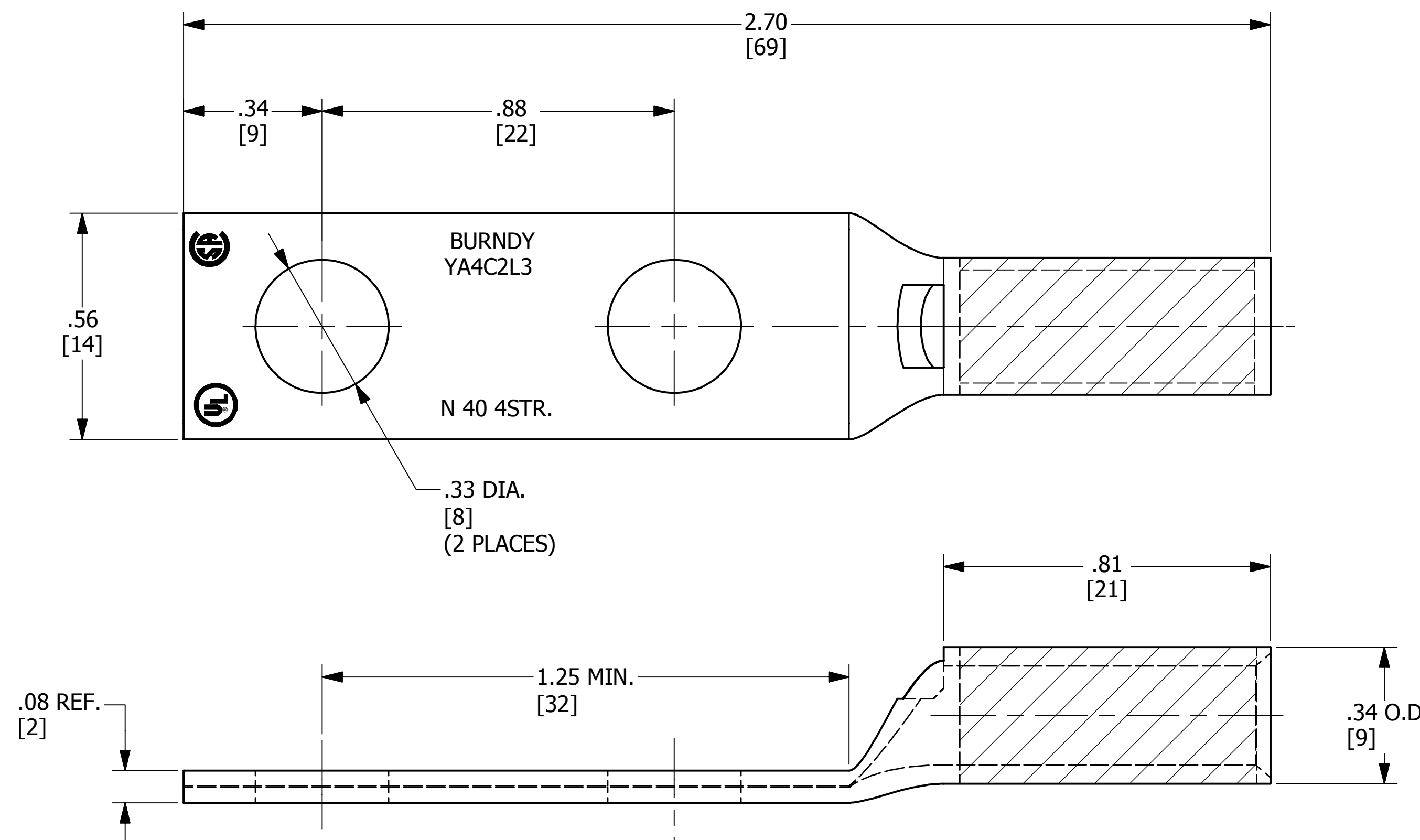


STRANDED COPPER CONDUCTOR ACCOMMODATED		BOLT SIZE	INSTALLATION TOOLING (# CRIMPS)											DIELESS (# CRIMPS)	WIRE STRIP LENGTH		
AWG	NAVY		COLOR CODE	DIE INFORMATION		MECHANICAL				HYDRAULIC							
				DIE INDEX	TYPE	Y1MRTC	OUR840	MD6 MD7	MD6--R2 MD7-34R	Y500CT PATMD6 PAT600	Y34A Y34B Y34BH	Y35, Y39, Y750 PAT750	Y46 PAT46	Y45			
#4 CLASS B, C	40	5/6 [M8]	GRAY	8 346	GRAY DIE SET	GRAY(2)	X4CRT(1)	X4CRT(1) W4CRT(1) W4CVT(1)	X4CRT(1) W4CRT(1) W4CVT(1)	X4CRT(1) W4CRT(1) W4CVT(1)	-----	U4CRT (1) U6CABT (1)	U4CRT(1) U6CABT(1)	U4CRT(1) U6CABT(1)	MECHANICAL: MY29-3 (1) MY29-11 (1) MRC840 (1)	7/8"	
					NEST							A4CD(1) B4CD(1)	U4CD-1(1)	U4CD-1(1)	U4CD-1(1)		HYDRAULIC: Y644 (1) PAT644 (1) Y81KFT (1) PAT81KFT (1)
					INDENTOR							Y34PR	Y34PR	Y34PR	Y34PR		

REV	DATE	DESCRIPTION	ECO	BY	C'H'K.
A	11/26/2012	CREATE SALES DRAWING FOR CAT.# YA4C2L3	29531	MVP	DD



NOTES:

1. MATERIAL: COPPER TUBING.
2. FINISH: ELECTRO TIN PLATED.
3. CATALOG # PT6515 ADAPTOR IS REQUIRED TO USE "U" DIES IN Y45 SERIES TOOLS.
4. CATALOG # PUADP-1 ADAPTOR IS REQUIRED TO USE "U" DIES IN Y46 SERIES TOOLS.
5. Y35P3 INDENTOR ADAPTOR REQUIRED FOR Y34PR INDENTOR.
6. PERMANENT DIE IN TOOLING.
7. DIMENSIONS IN BRACKETS [] ARE IN MILLIMETERS ROUNDED OFF TO THE NEAREST MILLIMETER, UNLESS OTHERWISE NOTED, AND ARE FOR REFERENCE ONLY.
8. FOR USE BY CUSTOMERS THAT HAVE THIS HYPRESS™. NO NEW Y34A HYPRESS™ TOOLS ARE BEING PROCESSED. Y34A USES A--D NEST DIES ONLY.
9. UL LISTED AND CSA CERTIFIED WIRE CONNECTORS.

TO ORDER BURNDY® PRODUCTS CALL		HYLUG™	
UNITED STATES 1-800-346-4175 (LONDONDERRY, NH)		ITEM NO: 50219H	
CANADA: 1-800-361-6975 (QUEBEC) 1-800-387-6487 (ALL OTHER PROVINCES)		CAT. NO: YA4C2L3	
FOR PRODUCT INFO: http://www.burndy.com		DRAWN BY: MVP 11/26/2012	
		CHECKER: --	
		DSN APRVL: --	
		MFG APRVL: --	
		QA APRVL: WATTS 07/26/2013	
		MKT APRVL: MICHAEL 07/31/2013	
		PROD FAM: CM&R COMPRESSION	
		DRAWING NO	
		PROJECT #: --	
		SIZE	
		DOCUMENT TYPE: SALES	
		REL LEVEL: Released	
		D	
		50015384	
		SHEET 1 OF 1	
		A	