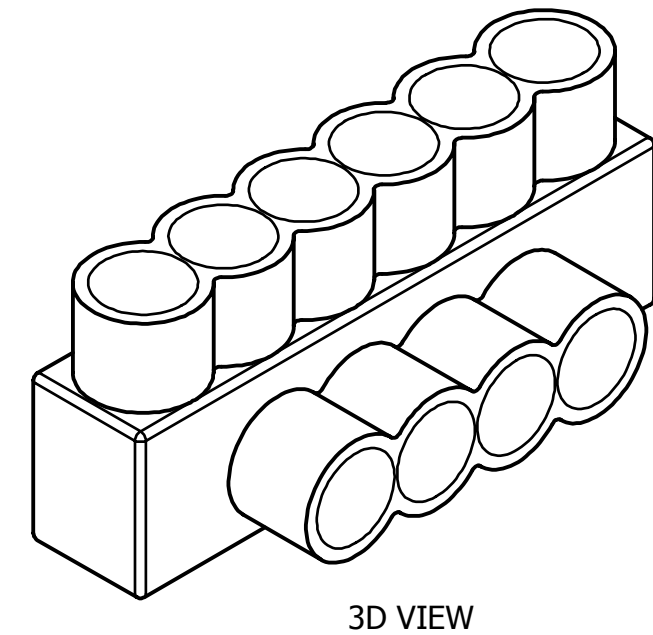
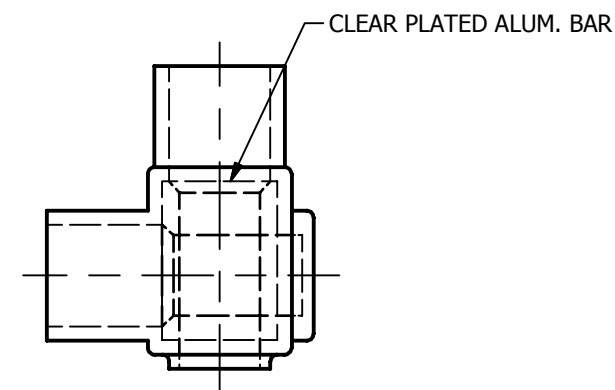
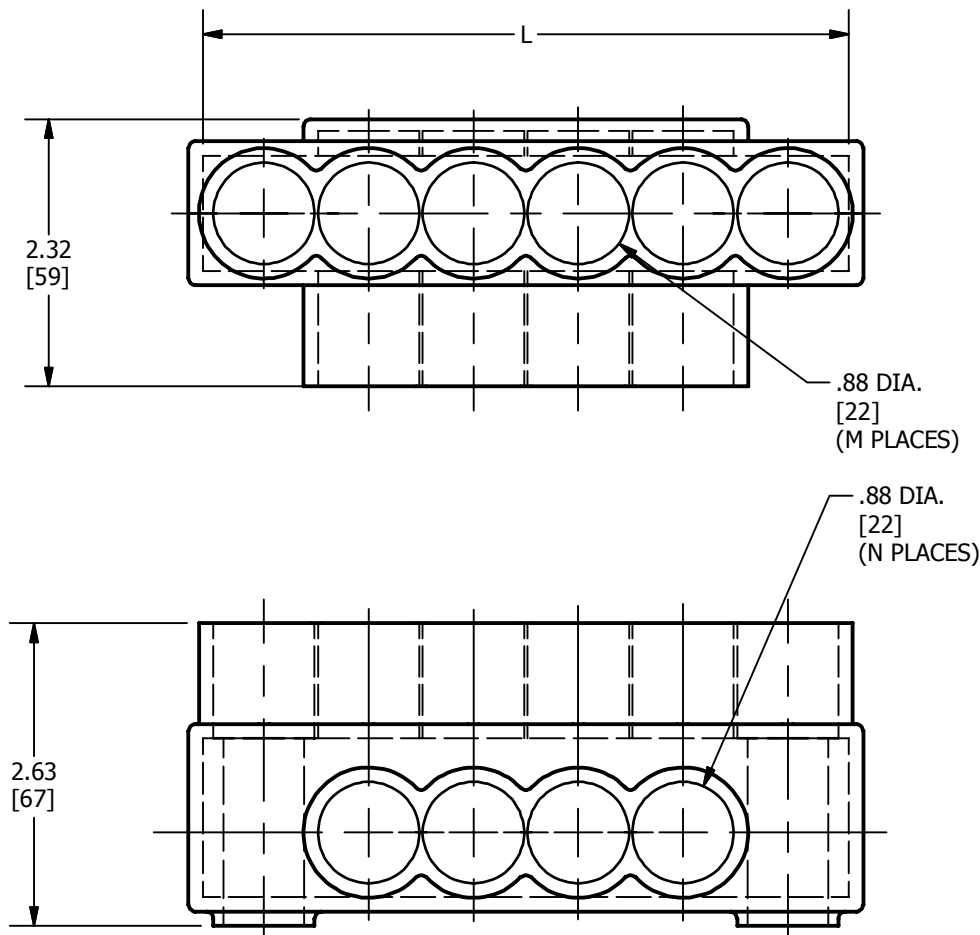


CATALOG NO.	L	N	M
1PLM3504	5.61 [142]	4	6
1PLM3506	7.43 [189]	6	8
1PLM3508	9.25 [235]	8	10
1PLM35010	11.07 [281]	10	12
1PLM35012	12.89 [327]	12	14

REV	DATE	DESCRIPTION	ECO	BY	C'HK.
A	11/27/2012	NEW SALES DRAWING CREATION	29538	PS	MB



NOTES:

1. DIMENSIONS IN BRACKETS [] ARE IN MILLIMETERS ROUNDED OFF TO THE NEAREST MILLIMETER, UNLESS OTHERWISE SPECIFIED AND ARE FOR REFERENCE ONLY.
2. ALL CONNECTORS ARE "UL" LISTED AND "CSA" CERTIFIED FOR AL9CU, 90°C APPLICATION.
3. RECOMMENDED MINIMUM CONDUCTOR TORQUE 275 IN/LB.

TO ORDER BURNDY® PRODUCTS CALL		UNITAP™, MOUNTED BLOCK	
UNITED STATES 1-800-346-4175 (LONDONDERRY, NH)		ITEM NO: --	
CANADA: 1-800-361-6975 (QUEBEC) 1-800-387-6487 (ALL OTHER PROVINCES)		CAT. NO: 1PLM350-- (TABLE)	
FOR PRODUCT INFO: http://www.burndy.com		DRAWN BY: S.PRASANNA 11/27/2012	
		CHECKER: D.SPURRELL 6/13/2013	
		DSN APRVL: T.REYNOLDS 7/11/2013	
		MFG APRVL: D.SPURRELL 6/13/2013	
		QA APRVL: C.KOWALCZYK 7/3/2013	
		MKT APRVL: M.BAILLY 6/17/2013	
		PROJ #: --	
		SIZE: B	
		DRAWING NO: 50015415	
		REV: A	
		SHEET 1 OF 1	