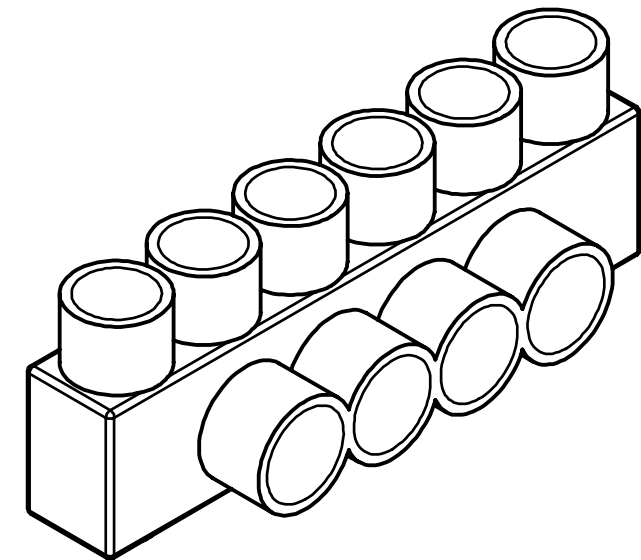
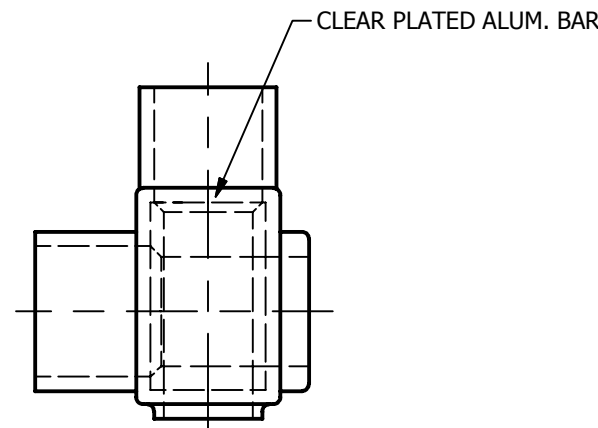
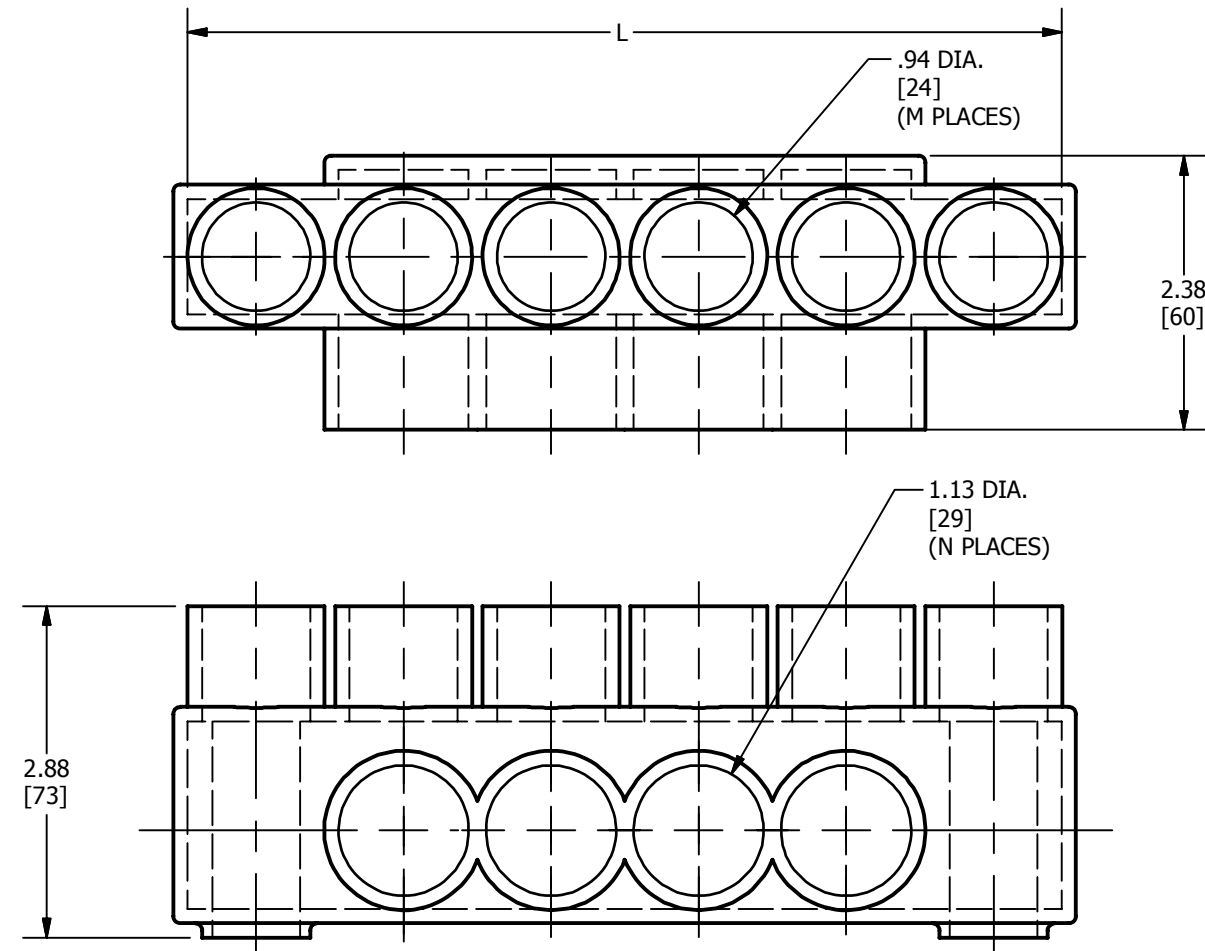


CATALOG NO.	L	N	M
1PLM6004	7.59 [193]	4	6
1PLM6006	10.16 [258]	6	8
1PLM6008	12.72 [323]	8	10
1PLM60010	15.28 [388]	10	12
1PLM60012	17.84 [453]	12	14

REV	DATE	DESCRIPTION	ECO	BY	C'H'K.
A	11/27/2012	NEW SALES DRAWING CREATION	29538	PS	MB



3D VIEW

NOTES:

1. DIMENSIONS IN BRACKETS [] ARE IN MILLIMETERS ROUNDED OFF TO THE NEAREST MILLIMETER, UNLESS OTHERWISE SPECIFIED AND ARE FOR REFERENCE ONLY.
2. ALL CONNECTORS ARE "UL" LISTED AND "CSA" CERTIFIED FOR AL9CU, 90°C APPLICATION.
3. RECOMMENDED MINIMUM CONDUCTOR TORQUE 375 IN/LB.

TO ORDER BURNDY® PRODUCTS CALL		UNITAP™, MOUNTED BLOCK													
UNITED STATES 1-800-346-4175 (LONDONDERRY, NH)		ITEM NO: --													
CANADA: 1-800-361-6975 (QUEBEC) 1-800-387-6487 (ALL OTHER PROVINCES)		CAT. NO: 1PLM600--(SEE TABLE)													
FOR PRODUCT INFO: http://www.burndy.com		<table border="1"> <tr> <td>DRAWN BY: S.PRASANNA</td> <td>11/27/2012</td> </tr> <tr> <td>CHECKER: D.SPURRELL</td> <td>6/13/2013</td> </tr> <tr> <td>DSN APRVL: T.REYNOLDS</td> <td>7/11/2013</td> </tr> <tr> <td>MFG APRVL: D.SPURRELL</td> <td>6/13/2013</td> </tr> <tr> <td>QA APRVL: C.KOWALCZYK</td> <td>7/3/2013</td> </tr> <tr> <td>MKT APRVL: M.BAILLY</td> <td>6/17/2013</td> </tr> </table>		DRAWN BY: S.PRASANNA	11/27/2012	CHECKER: D.SPURRELL	6/13/2013	DSN APRVL: T.REYNOLDS	7/11/2013	MFG APRVL: D.SPURRELL	6/13/2013	QA APRVL: C.KOWALCZYK	7/3/2013	MKT APRVL: M.BAILLY	6/17/2013
DRAWN BY: S.PRASANNA	11/27/2012														
CHECKER: D.SPURRELL	6/13/2013														
DSN APRVL: T.REYNOLDS	7/11/2013														
MFG APRVL: D.SPURRELL	6/13/2013														
QA APRVL: C.KOWALCZYK	7/3/2013														
MKT APRVL: M.BAILLY	6/17/2013														
PROJ #: --		SIZE: B	DRAWING NO: 50015514												
DOCUMENT TYPE: SALES		REL LEVEL: Released	REV: A												
		SHEET 1 OF 1													