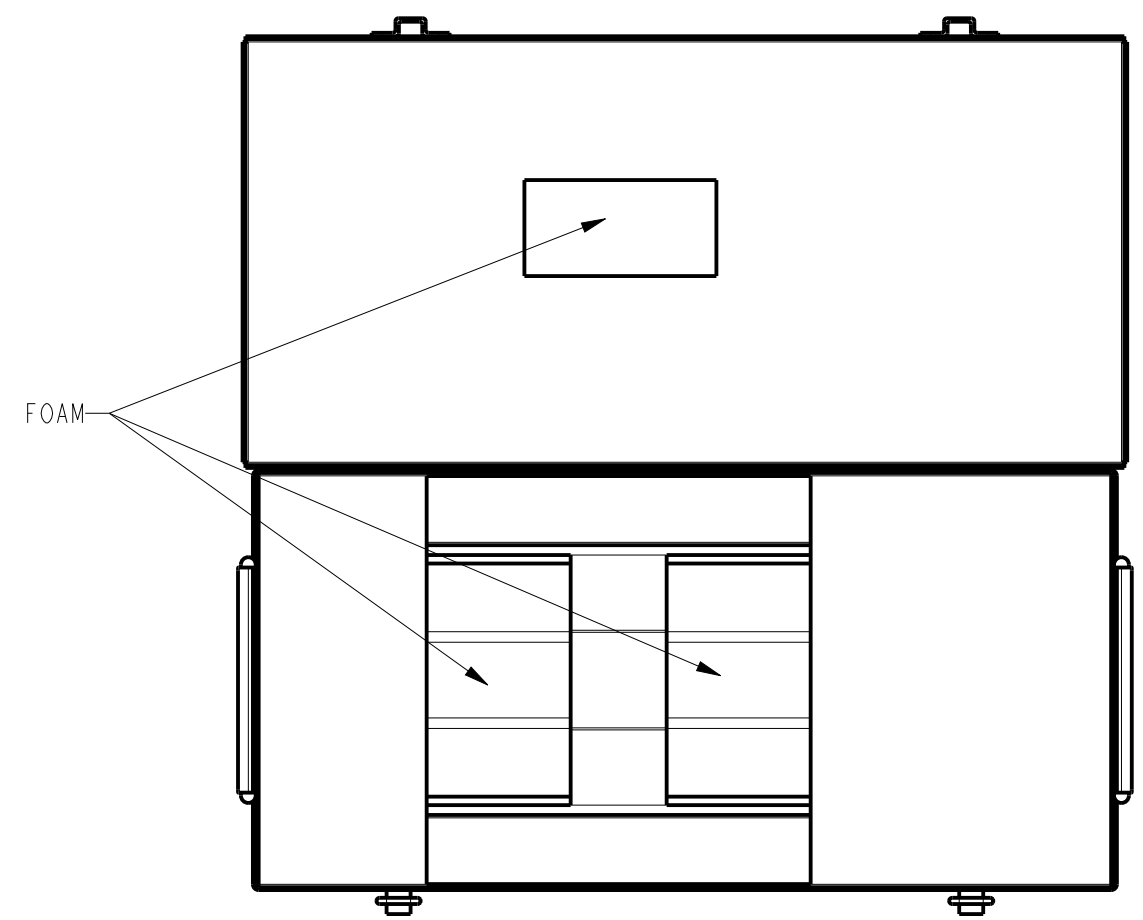
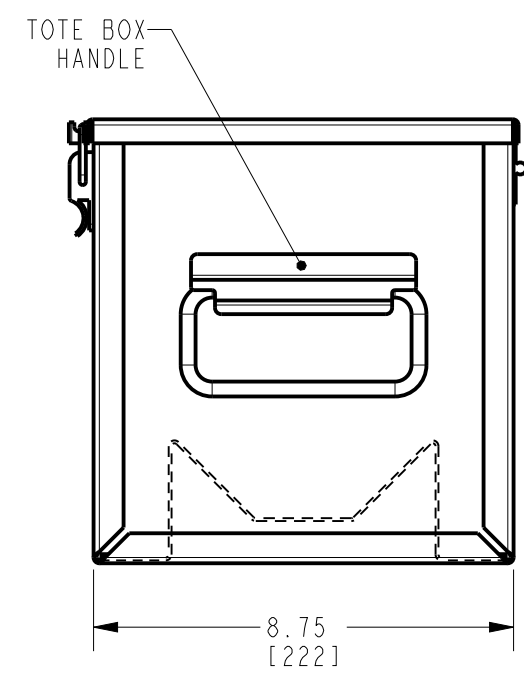
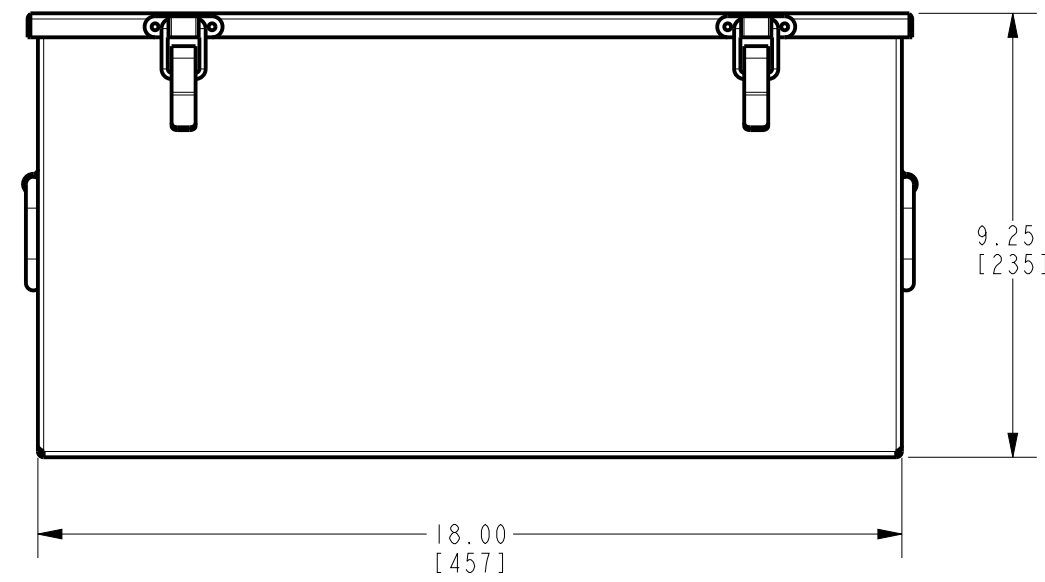
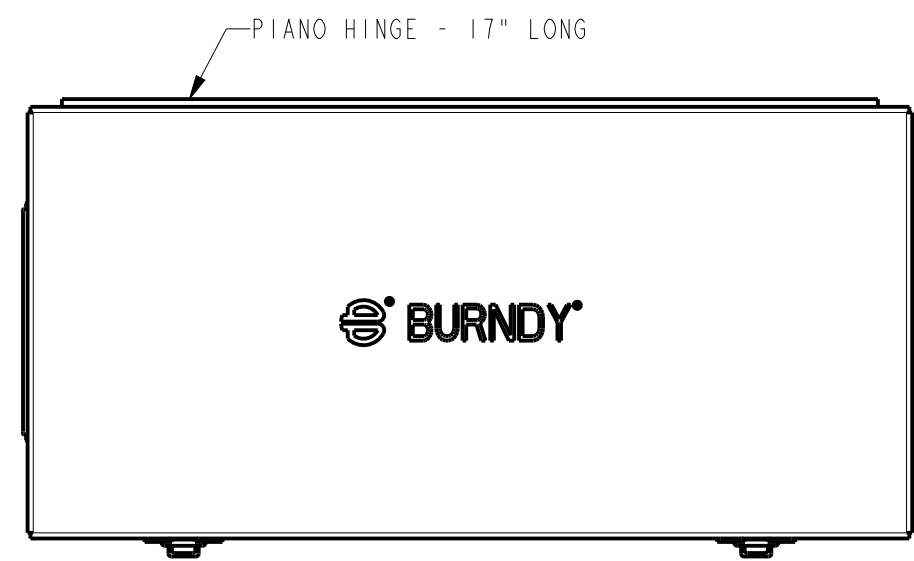


REV.	DATE	DESCRIPTION	ECO	BY	C'H'K.
A	09/10/2013 00:00:00 AM	NEW SALES SALES DRAWING CREATION	33227	AT	MB



VIEW WITH CASE OPEN

NOTES:

1. FINISH COLOR: RED
2. MATERIAL: 16 GA (.059) C.R.S.
3. DIMENSIONS IN BRACKETS [ ] ARE IN MILLIMETERS ROUNDED OFF TO THE NEAREST MILLIMETER, UNLESS OTHERWISE SPECIFIED AND ARE FOR REFERENCE ONLY.

TO ORDER BURNDY® PRODUCTS CALL  
 UNITED STATES:  
 1-800-346-4175 (LONDONDERRY, NH)  
 CANADA:  
 1-800-361-6975 (QUEBEC)  
 1-800-387-6487 (ALL OTHER PROVINCES)  
 FOR PRODUCT INFO: <http://www.burndy.com>

CASE, Y60LW PRESS		SCALE: 1:4	
ITEM NO: 50002710		DRAWING NO	
CAT. NO: Y60LWCASE		REV	
DRAWN BY: THIRU	11/27/2012	<b>BURNDY</b>	A
CHECKER: M CHIASSON	10/03/2013		
DSN APPVL: M CHIASSON	10/03/2013		
MFG APPVL: --	--		
QA APPVL: C KOWALCZYK	10/02/2013		
MKT APPVL: M RZASA	10/15/2013	SHEET 1 OF 1	
PROD FAM: TOOLS, HYDRAULIC	SIZE B	REL LEVEL: Released	

REV: PE0200