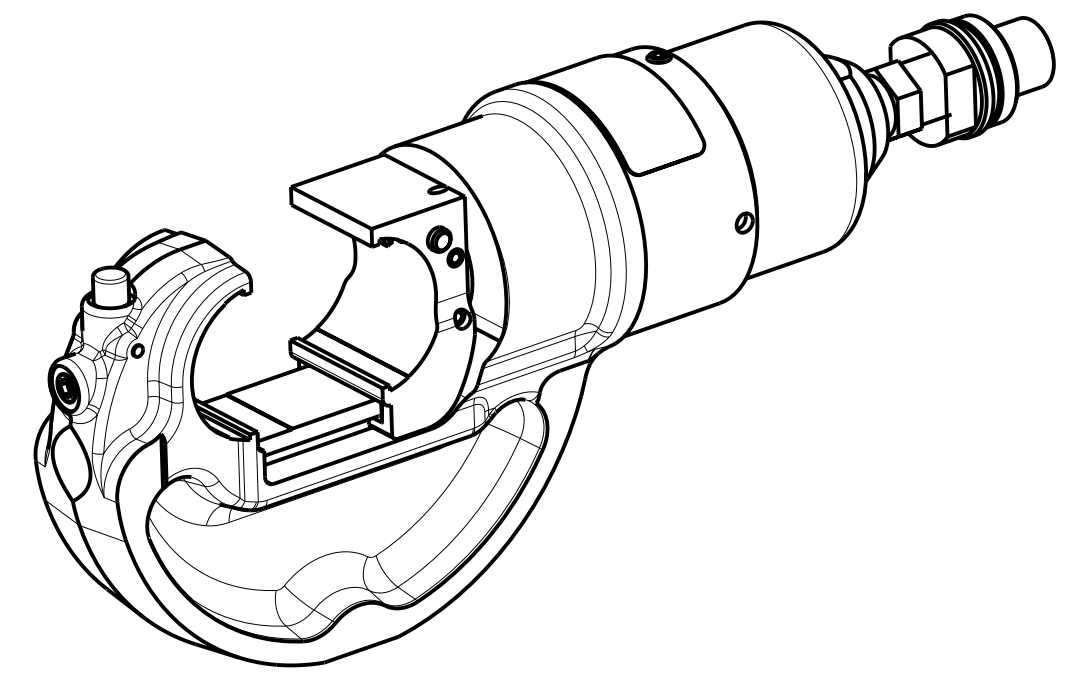
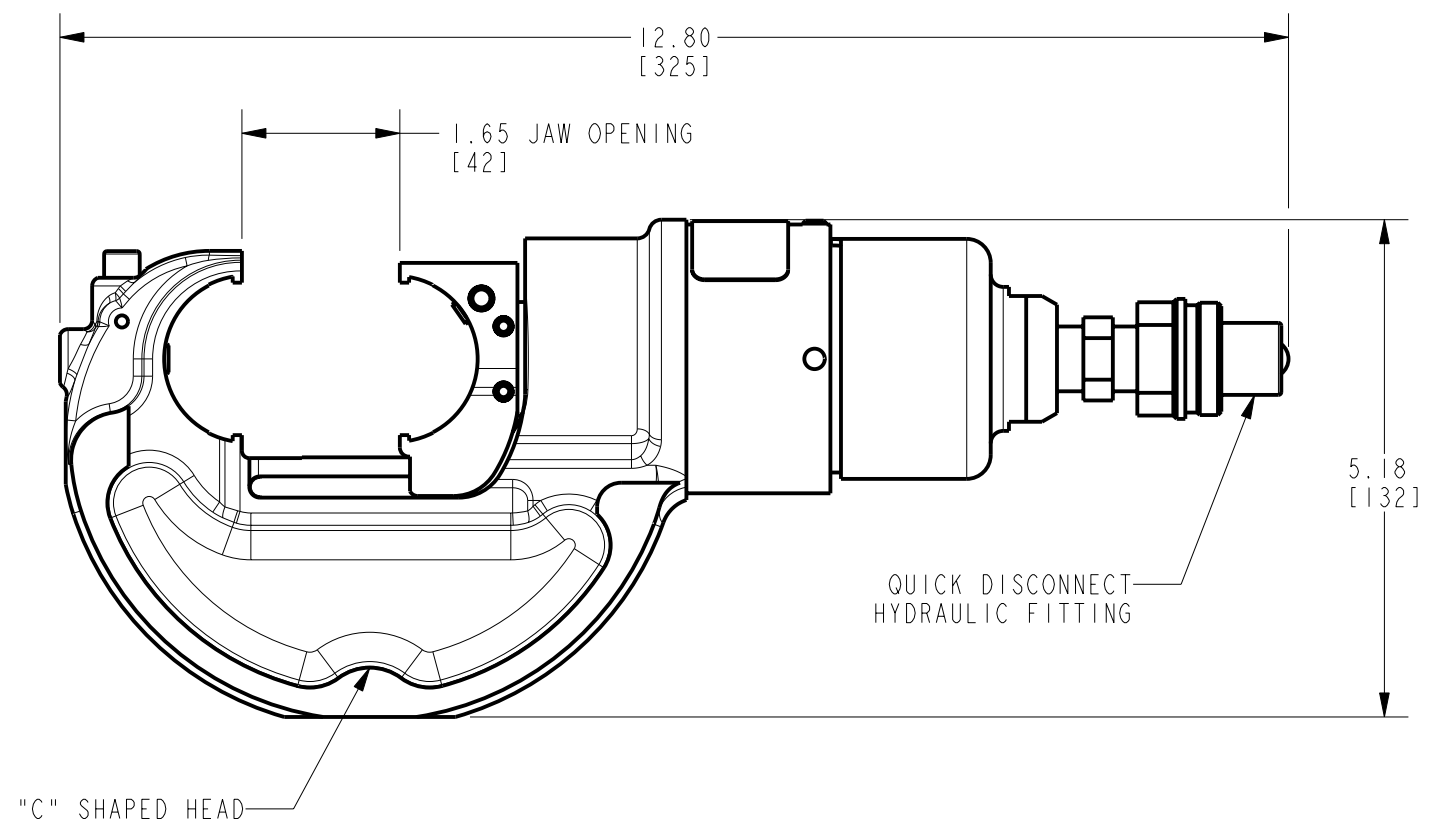


REV.	DATE	DESCRIPTION	ECO	BY	C.H.K.
A	11/28/2012 00:00:00 AM	CREATE SALES DRAWING FOR CAT. # Y750BH0D	29518	DD	MB



SPECIFICATIONS:

OPERATING PRESSURE: 10,000 PSI
 FORCE DEVELOPED: 12 TONS
 WEIGHT: 10.3 LBS. (4.7 Kg)

FOR USE ON:

- TENSION SLEEVES
 - COPPER #8 SOL. - 500 Kcmil
 - ALUMINUM #6 SOL. - 556.5 Kcmil
 - ACSR #4 - 556.5 Kcmil
- TAPS
 - COPPER #14 SOLID - 500 Kcmil
 - ALUMINUM #6 - 500 Kcmil
- AERIAL CABLE
 - COPPER #6 - 500 Kcmil
- TERMINALS AND SPLICES
 - COPPER #8 - 750 Kcmil
 - ALUMINUM #8 - 750 Kcmil
 - ACSR #4 - 556 Kcmil
- HYGROUND® (Compression Grounding)
 - COPPER #6 - 500 Kcmil (CABLE/GROUND ROD)
 - GROUND RODS 1/2" - 1" DIAMETER

BENIFITS:

- COVERS A WIDE RANGE OF APPLICATIONS AND PROVIDES EASY TOOL REMOVAL FROM CONTINUOUS CONDUCTORS WITH ITS C-SHAPED HEAD (1.65" OPENING)
- EASY DIE CHANGE OUT AND RETENTION WITH EXPOSED POSITIVE DIE LOCK BUTTONS.
- USES ALL STANDARD BURNDY® U-DIES.
- HOT STICK ADAPTOR SOLD SEPERATELY.
- INFINITELY ROTATABLE HEAD, SO HYDRAULIC COUPLERS WON'T EASILY LOOSEN.
- 5-YEAR LIMITED WARRANTY.

NOTE:

1. DIMENSIONS IN BRACKETS [] ARE IN MILLIMETERS, ROUNDED OFF TO THE NEAREST MILLIMETER, UNLESS OTHERWISE NOTED. METRIC DIMENSIONS ARE FOR REFERENCE ONLY.

TO ORDER BURNDY® PRODUCTS CALL		12 TON REMOTE POWER OPERATED HYDRAULIC TOOL	
UNITED STATES:		ITEM NO: 25003404	
1-800-346-4175 (LONDONDERRY, NH)		CAT. NO: Y750BH0D	
CANADA:		DRAWN BY: D.DHEENA 11/28/2012	
1-800-361-6975 (QUEBEC)		CHECKER: P.WASON 06/11/2013	
1-800-387-6487 (ALL OTHER PROVINCES)		DSN APPVL: M.CHIASSON 06/12/2013	
FOR PRODUCT INFO: http://www.burndy.com		MFG APPVL: -- --	
		QA APPVL: J.BRODEUR 06/12/2013	
		MKT APPVL: M.RZASA 06/19/2013	
		SCALE: 1:1	
		DRAWING NO	
		50015638	
		REV	
		A	
		SHEET 1 OF 1	

REV: PE0200