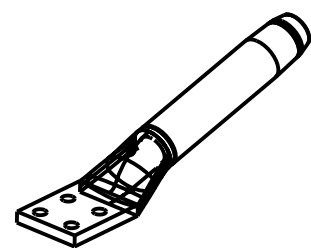
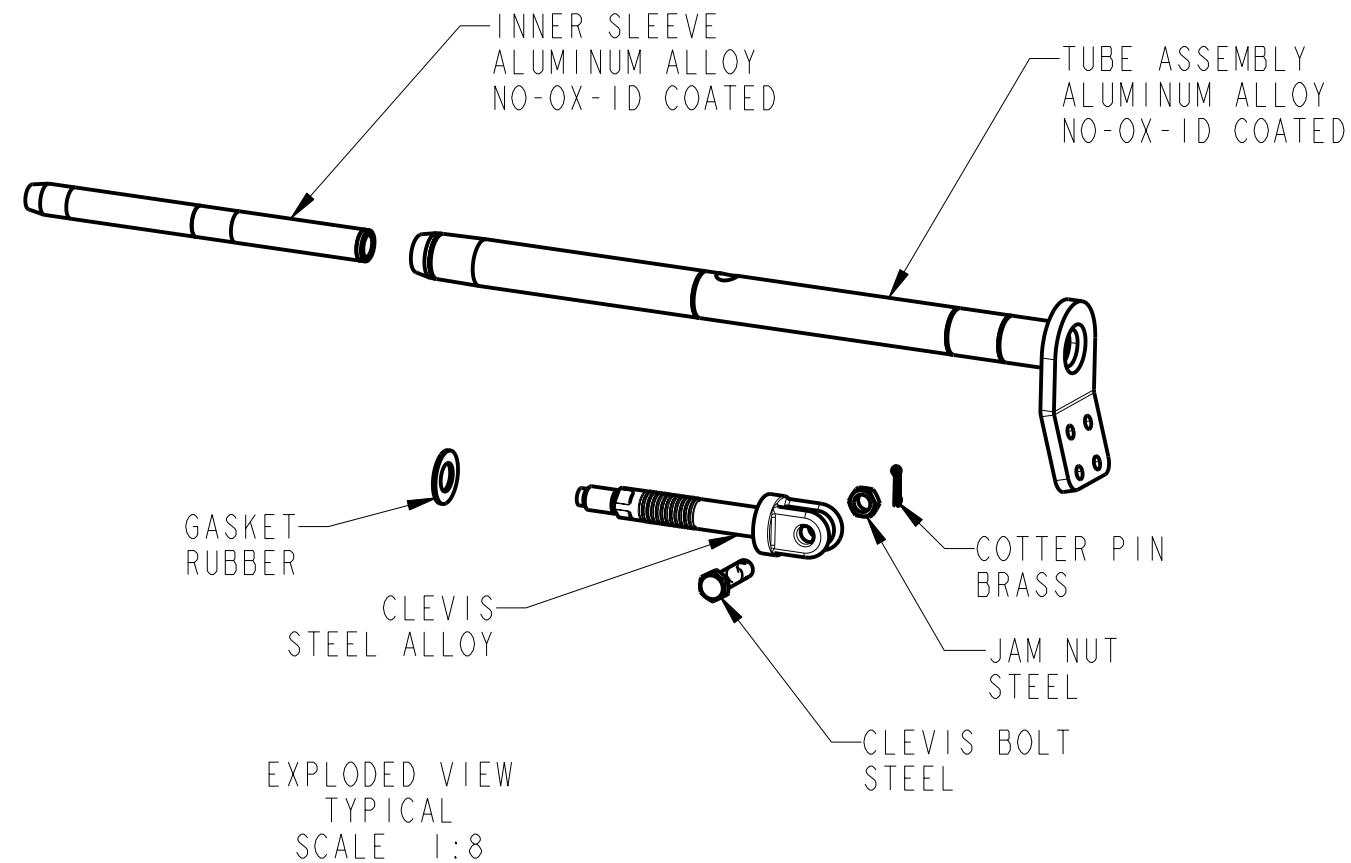


CROSS REFERENCE TABLE			
LS KITS OF CLEVIS DEADEND ASSEMBLY			
BURNDY		CTC	
ITEM NUMBER	CATALOG NUMBER	PART NO.	CONDUCTOR CODE NAME
			SMALL FAMILY
10105939	YTW245MRC15ACK6LS	5600-1044CS	GLASGOW
50009385	YTW325MRC15ACK6LS	5600-1032CS	LISBON
50009384	YTW430MRC15ACK6LS	5600-1052CS	BRUSSELS
		MEDIUM FAMILY	
10105938	YTW330MRC15ACK6LS	5600-2026CS	OSLO

REV.	DATE	DESCRIPTION	ECO	BY	C'H'K.
A	12/06/2012 00:00:00 AM	DRAWING RELEASED	29629	BD	MB



TERMINAL
SCALE 1:8



EXPLODED VIEW
TYPICAL
SCALE 1:8

NOTES:

1. K6 KITS FOR GLASGOW AND LISBON AND OSLO CONTAINS FORMED TERMINALS WITH INNER SLEEVE.
2. K6 KIT FOR BRUSSELS CONTAIN SPECIAL FORMED TERMINAL.
3. LS KITS DO NOT CONTAIN COLLET AND COLLET HOUSING.
4. LS KITS ARE SUB-ASSEMBLIES FOR CTC PART NUMBER.

(ACCC™) ALUMINUM CONDUCTOR COMPOSITE CORE

TO ORDER BURNDY® PRODUCTS CALL		LS KITS, DEADEND CLEVIS CROSS REFERENCE	
UNITED STATES:		ITEM NO: SEE TABLE	
1-800-346-4175 (LONDONDERRY, NH)		CAT. NO: SEE TABLE	
CANADA:		DRAWN BY: B. DURAI CHAMY 12/6/12	
1-800-361-6975 (QUEBEC)		CHECKER: P. Chan 12/5/12	
1-800-387-6487 (ALL OTHER PROVINCES)		DSN APPVL: P. Chan 12/5/12	
FOR PRODUCT INFO: http://www.burndy.com		MFG APPVL: J. HEAD 12/5/12	
		QA APPVL: T. WATTS 12/5/12	
		MKT APPVL: D. HAMILTON 12/5/12	
		SCALE: 3:20	
		PROD FAM: Transmission/Deadends	
		PROJECT #: 13827	
		DOCUMENT TYPE: Sales	
		REL LEVEL: Released	
		DRAWING NO: 50015705	
		SHEET 1 OF 1	
		REV: A	

REV: PE0200