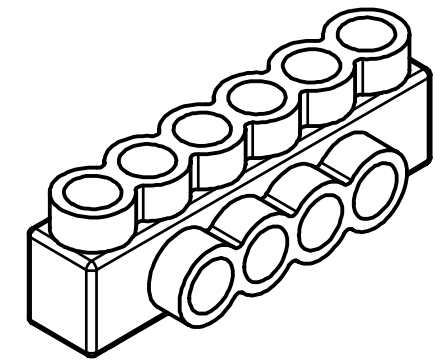
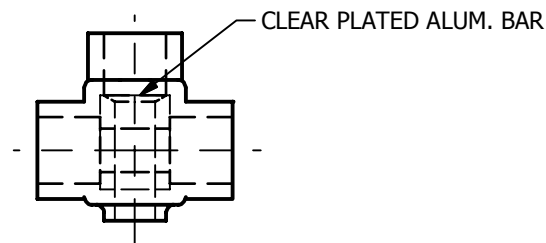
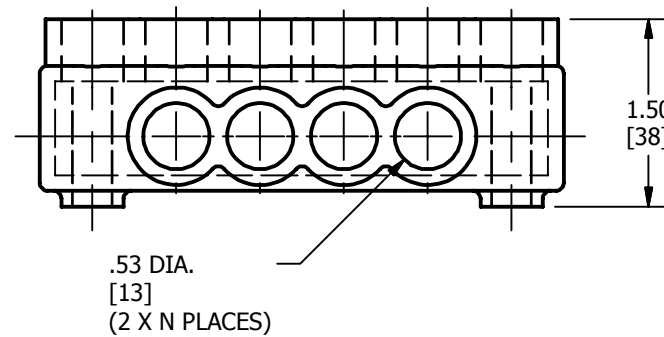
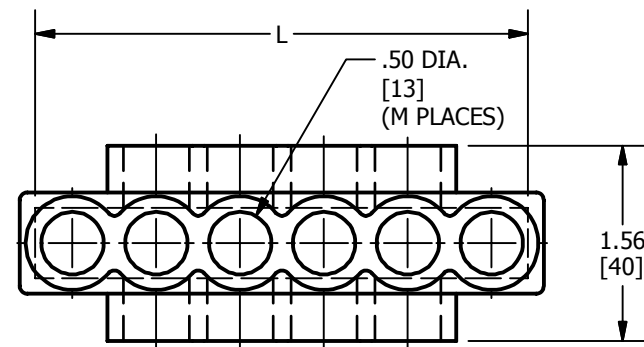


CATALOG NO.	L	N	M
1PLMD2/04	3.95 [100]	4	6
1PLMD2/06	5.29 [134]	6	8
1PLMD2/08	6.64 [169]	8	10
1PLMD2/010	7.98 [203]	10	12
1PLMD2/012	9.33 [237]	12	14

REV	DATE	DESCRIPTION	ECO	BY	C'H'K.
A	11/29/2012	NEW SALES DRAWING CREATION	29538	PS	MB



3D VIEW

**NOTES:**

1. DIMENSIONS IN BRACKETS [ ] ARE IN MILLIMETERS ROUNDED OFF TO THE NEAREST MILLIMETER, UNLESS OTHERWISE SPECIFIED AND ARE FOR REFERENCE ONLY.
2. ALL CONNECTORS ARE "UL" LISTED AND "CSA" CERTIFIED FOR AL9CU, 90°C APPLICATION.
3. RECOMMENDED MINIMUM CONDUCTOR TORQUE 120 IN/LB.

TO ORDER BURNDY® PRODUCTS CALL		UNITAP™, MOUNTED BLOCK															
UNITED STATES 1-800-346-4175 (LONDONDERRY, NH)		ITEM NO: --															
CANADA: 1-800-361-6975 (QUEBEC) 1-800-387-6487 (ALL OTHER PROVINCES)		CAT. NO: 1PLMD2/0--(TABLE)															
FOR PRODUCT INFO: <a href="http://www.burndy.com">http://www.burndy.com</a>		<table border="1"> <tr> <td>DRAWN BY: S.PRASANNA</td> <td>11/29/2012</td> <td rowspan="5"></td> </tr> <tr> <td>CHECKER: D.SPURRELL</td> <td>6/13/2013</td> </tr> <tr> <td>DSN APRVL: T.REYNOLDS</td> <td>7/11/2013</td> </tr> <tr> <td>MFG APRVL: D.SPURRELL</td> <td>6/13/2013</td> </tr> <tr> <td>QA APRVL: C.KOWALCZYK</td> <td>7/3/2013</td> </tr> <tr> <td>MKT APRVL: M.BAILLY</td> <td>6/17/2013</td> <td></td> </tr> </table>		DRAWN BY: S.PRASANNA	11/29/2012		CHECKER: D.SPURRELL	6/13/2013	DSN APRVL: T.REYNOLDS	7/11/2013	MFG APRVL: D.SPURRELL	6/13/2013	QA APRVL: C.KOWALCZYK	7/3/2013	MKT APRVL: M.BAILLY	6/17/2013	
DRAWN BY: S.PRASANNA	11/29/2012																
CHECKER: D.SPURRELL	6/13/2013																
DSN APRVL: T.REYNOLDS	7/11/2013																
MFG APRVL: D.SPURRELL	6/13/2013																
QA APRVL: C.KOWALCZYK	7/3/2013																
MKT APRVL: M.BAILLY	6/17/2013																
PROJ. #: --		SIZE: B	DRAWING NO: 50015715														
DOCUMENT TYPE: SALES		REL LEVEL: Released	REV: A														
			SHEET 1 OF 1														