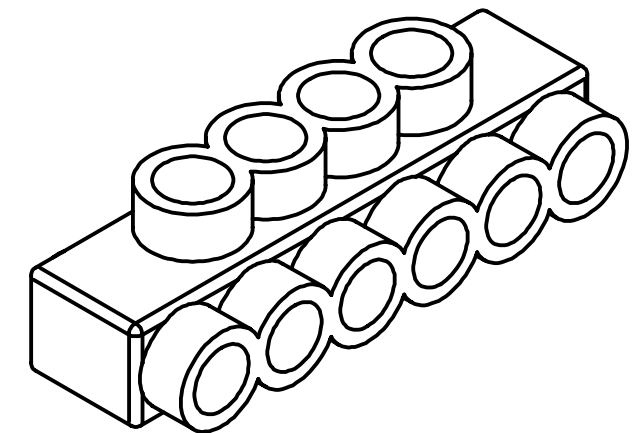
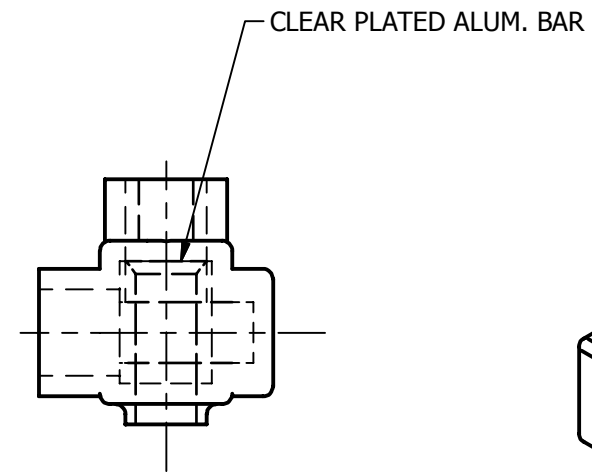
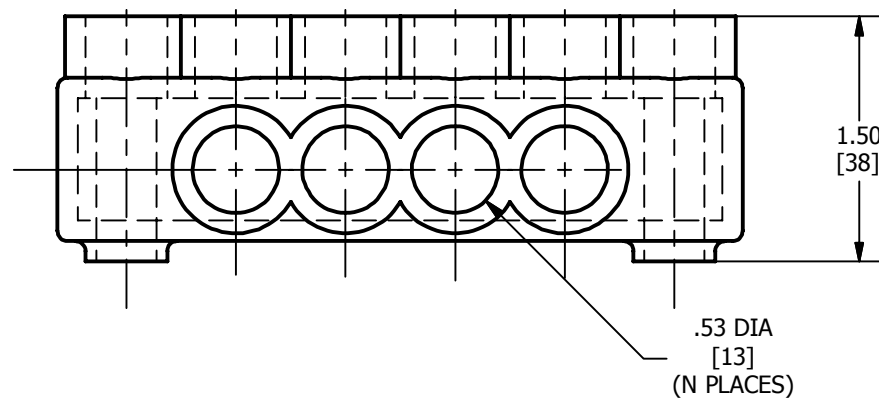
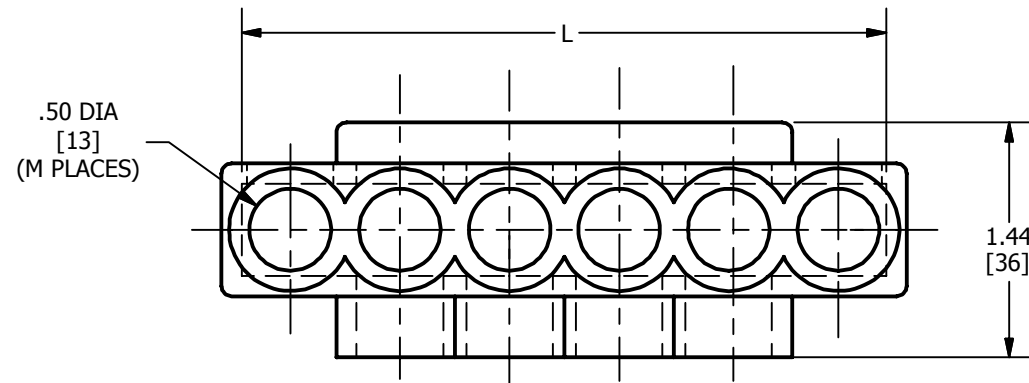


CATALOG NO.	L	N	M
1PLM2/04	3.95 [100]	4	6
1PLM2/06	5.29 [134]	6	8
1PLM2/08	6.64 [169]	8	10
1PLM2/010	7.98 [203]	10	12
1PLM2/012	9.33 [237]	12	14

REV	DATE	DESCRIPTION	ECO	BY	C'H'K.
A	11/29/2012	NEW SALES DRAWING CREATION	29538	PR	MB



3D VIEW

**NOTES:**

1. DIMENSIONS IN BRACKETS [ ] ARE IN MILLIMETERS ROUNDED OFF TO THE NEAREST MILLIMETER, UNLESS OTHERWISE SPECIFIED AND ARE FOR REFERENCE ONLY.
2. ALL CONNECTORS ARE "UL" LISTED AND "CSA" CERTIFIED FOR AL9CU, 90°C APPLICATION.
3. RECOMMENDED MINIMUM CONDUCTOR TORQUE 120 IN/LB.

TO ORDER BURNDY® PRODUCTS CALL		UNITAP™, MOUNTED BLOCK	
UNITED STATES 1-800-346-4175 (LONDONDERRY, NH)		ITEM NO: --	
CANADA: 1-800-361-6975 (QUEBEC) 1-800-387-6487 (ALL OTHER PROVINCES)		CAT. NO: 1PLM2/0--(SEE TABLE)	
FOR PRODUCT INFO: <a href="http://www.burndy.com">http://www.burndy.com</a>		DRAWN BY: YPADMARAJA 11/29/2012	
		CHECKER: D SPURRELL 6/13/2013	
		DSN APRVL: T REYNOLDS 7/11/2013	
		MFG APRVL: D SPURRELL 6/13/2013	
		QA APRVL: C KOWALCZYK 7/3/2013	
		MKT APRVL: M BAILLY 6/17/2013	
PROJ #:	SIZE	DRAWING NO	REV
PROJECT #:	B	50015718	A
DOCUMENT TYPE: SALES			
REL LEVEL: Released			
		SHEET 1 OF 1	