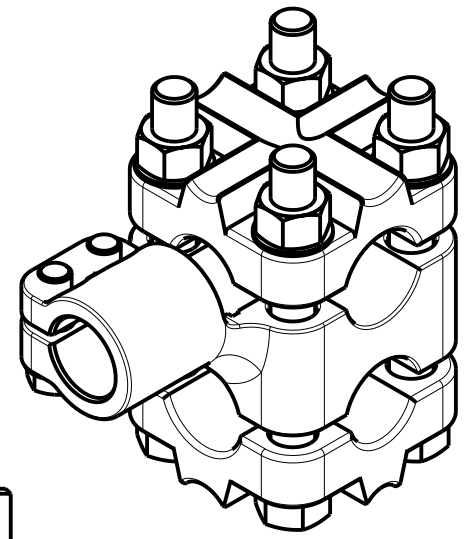


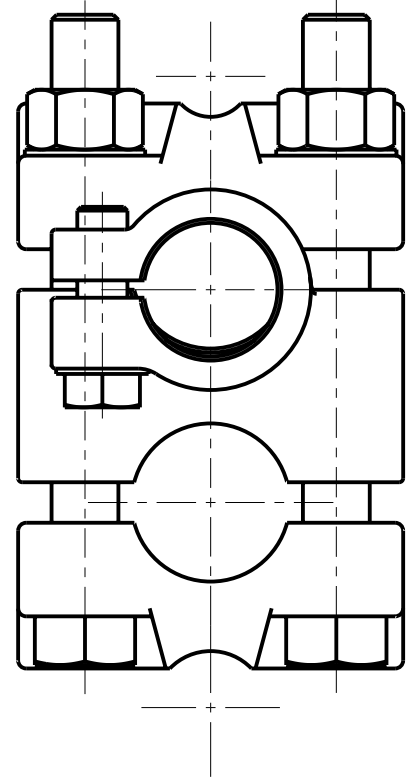
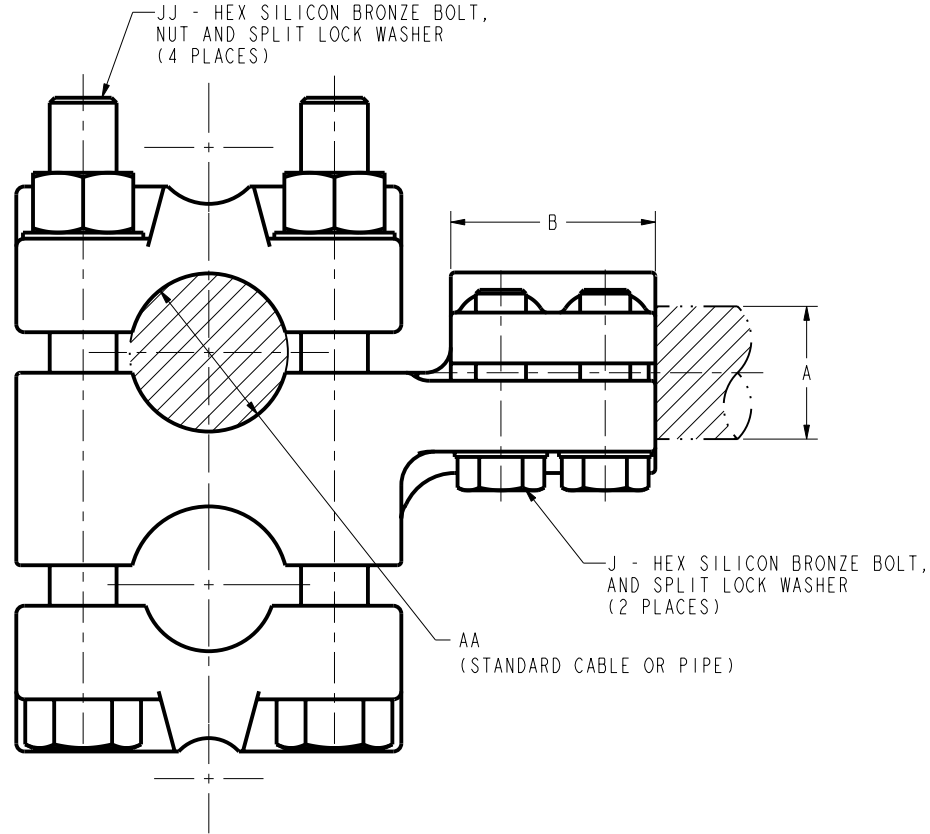
DRAWING NO.
50015769

CATALOG NO.	ITEM NO.	STUD A	THREADS PER INCH	AA STANDARD CABLE	AA PIPE	B	J	JJ
NIIDR6434T16	25006278	3/4	16	6 AWG - 500 Kcmil	3/8 IPS - 1/2 IPS	1.53 [39]	3/8	3/8
NIIDR6544T12	10054667	1	12	2 AWG - 1000 Kcmil	3/8 IPS - 3/4 IPS	1.53 [39]	3/8	1/2
NIIDR6534T14	25016042		14	6 AWG - 500 Kcmil	3/8 IPS - 1/2 IPS	1.53 [39]	3/8	3/8
NIIDR6744T12	296121	1-1/2	12	2 AWG - 1000 Kcmil	3/8 IPS - 3/4 IPS	2.03 [52]	1/2	1/2
NIIDR6744T0	000830		0	2 AWG - 1000 Kcmil		2.03 [52]	1/2	1/2
NIIDR6734T12	001974	1-3/4	12	6 AWG - 500 Kcmil	3/8 IPS - 1/2 IPS	2.03 [52]	1/2	3/4
NIIDR67544T12	25004450		12	2 AWG - 1000 Kcmil		2.03 [52]	1/2	1/2
NIIDR6844T12	296203	2	12	2 AWG - 1000 Kcmil	3/8 IPS - 3/4 IPS	2.03 [52]	1/2	1/2
NIIDR6848T12	25019995		12	4/0 AWG - 2000 Kcmil		2.50 [64]	1/2	1/2
NIIDR7048T12	25019998	3	12	4/0 AWG - 2000 Kcmil	3/8 IPS - 1 1/4 IPS	2.88 [73]	5/8	1/2

REV	DATE	DESCRIPTION	ECO	BY	C'H'K.
A	11/30/2012 00:00:00 AM	CREATED SALES DRAWING FOR CAT. # NIIDR----	29634	NG	NJS



3D MODEL VIEW



NOTES:

- MATERIAL: CAST COPPER ALLOY.
- ACCOMMODATES: SEE TABLE
- NOMINAL BOLT INSTALLATION TORQUE:
 3/8" SILICON BRONZE HARDWARE - 240 LB-IN [30 Nm]
 1/2" SILICON BRONZE HARDWARE - 480 LB-IN [55 Nm]
 5/8" SILICON BRONZE HARDWARE - 660 LB-IN [75 Nm]
 3/4" SILICON BRONZE HARDWARE - 1050 LB-IN [120 Nm]
- DIMENSIONS IN BRACKETS [] DENOTES METRIC UNITS [SI UNITS] AND ARE ROUNDED TO THE NEAREST WHOLE NUMBER. UNLESS OTHERWISE SPECIFIED THESE UNITS SHALL BE USED FOR REFERENCE ONLY.
- THE CONCEPT SHOWN INCORPORATES PRINCIPLES WHICH PERMIT OPERATION AT A VOLTAGE GRADIENT NORMALLY ASSOCIATED WITH 230 KV RMS OPERATION PHASE TO PHASE.

TO ORDER BURNDY® PRODUCTS CALL		STUD CONNECTOR	
UNITED STATES 1-800-346-4175 (LONDONDERRY, NH)		ITEM NO: SEE TABLE	CAT. NO: SEE TABLE
CANADA: 1-800-361-6975 (QUEBEC) 1-800-387-6487 (ALL OTHER PROVINCES)		DRAWN BY: N GOPINATH 11/30/12	CHECKER: NJ SUDHAKAR 12/03/12
FOR PRODUCT INFO: http://www.burndy.com		DSN APPVL: R LAVOIE 12/13/12	MFG APPVL: --
		QA APPVL: J HILLMAN 12/17/12	MKT APPVL: B MICHAUD 12/12/12
		PROJ #:	SIZE
		DOCUMENT TYPE: Sales	50015769
		REL LEVEL: Released	D
		SCALE: 1:1	SHEET 1 OF 1

REV: PE0200