

REV	DATE	DESCRIPTION	ECO	BY	C'H'K.
A	04/23/2013	REDRAWN IN INVENTOR	31331	GP	MB

**BURNDY**

CAT. NO.: PENHTGAL QTY.: 1 GAL. FILL DATE : XX/XX/XXXX

**PENETROX™ HT**  
ELECTRICAL JOINT COMPOUND

RECOMMENDED FOR USE ON ALUMINUM TO ALUMINUM AND ALUMINUM TO COPPER CONNECTORS, ON BARE CONDUCTORS, ON BUS BARS, AND ON INSULATED CONDUCTORS. ASSURES HIGH CONDUCTIVITY JOINT BY SEALING OUT AIR AND MOISTURE TO PREVENT CORROSION AND REFORMATION OF OXIDE FILM.

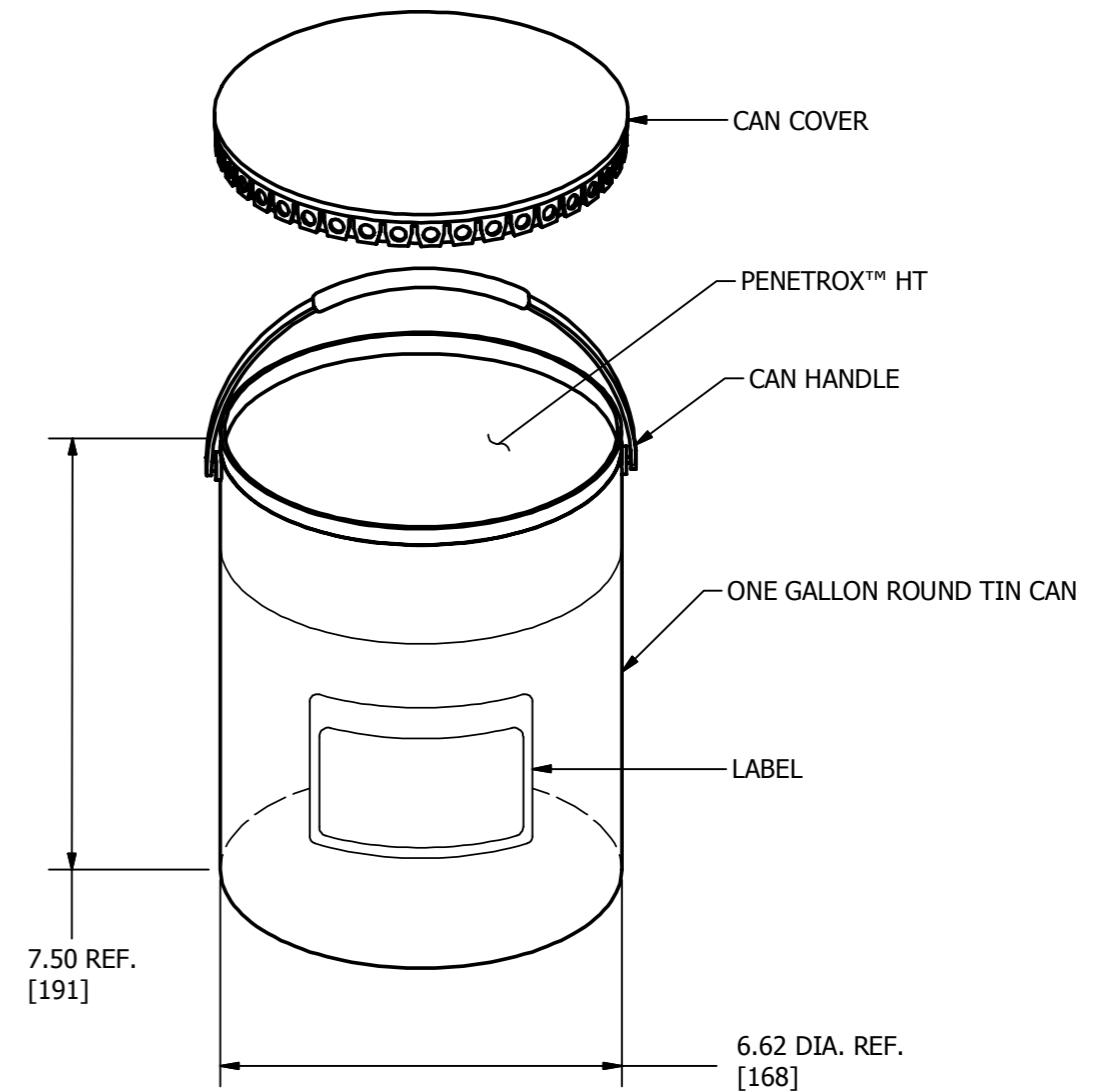
----- DIRECTIONS -----

1. ABRABE CONDUCTORS WITH WIRE BRUSH OR EMERY CLOTH.
2. ABRABE ALUMINUM CONNECTORS IF NOT PREFILLED WITH PENETROX™ HT. DO NOT ABRABE PLATED CONNECTORS.
3. MIX CONTENTS PRIOR TO USE.
4. APPLY PENETROX™ HT LIBERALLY TO BOTH CONNECTOR AND CONDUCTOR.
5. ASSEMBLE JOINT.
6. WIPE OFF EXCESS MATERIAL FROM INSULATION.

LISTED 824F STORE AT TEMPERATURE BELOW 110DEG.F (43 DEG. C). USE ABOVE -25 DEG. C.  
PENETROX™ HT ALSO LUBRICATES AND INSURES CONTINUITY OF GROUND ON ALUM. CONDUIT THREADS.

CONDUCTOR TERMINATION COMPOUNDS. DCI 781810-59283 STK 547305

7664 1985 BURNDY CORPORATION □ MANCHESTER, NH 03109



**NOTES:**

1. DIMENSIONS IN BRACKETS [ ] ARE IN MILLIMETERS ROUNDED OFF TO THE NEAREST MILLIMETER, UNLESS OTHERWISE SPECIFIED AND ARE FOR REFERENCE ONLY.
2. CAN: 1 GALLON ROUND TIN CAN WITH HANDLE, SHIPPED WITH COVER AND HANDLE PACKAGED SEPERATELY.
3. LABEL FULL SIZE : 5.00 [127] X 6.00 [152].

TO ORDER BURNDY® PRODUCTS CALL UNITED STATES 1-800-346-4175 (LONDONDERRY, NH)		PEN "HT" ONE GALLON CAN	
		ITEM NO: 10088953	
CANADA: 1-800-361-6975 (QUEBEC) 1-800-387-6487 (ALL OTHER PROVINCES)		CAT. NO: PENHTGAL	
		DRAWN BY: G PRASAD 03/12/2012	
FOR PRODUCT INFO: <a href="http://www.burndy.com">http://www.burndy.com</a>		CHECKER: K BOUTIN 08/29/2013	
		DSN APRVL: K BOUTIN 08/29/2013	
		MFG APRVL: --	
		QA APRVL: C ACKERMAN 08/22/2013	
		MKT APRVL: R CAVANAUGH 08/01/2013	
		PROJ #: --	
		DRAWING NO	
		50015844	
		REV	
		A	
		SHEET 1 OF 1	