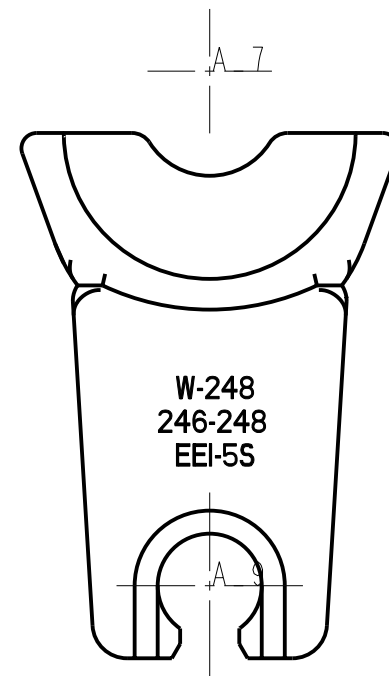
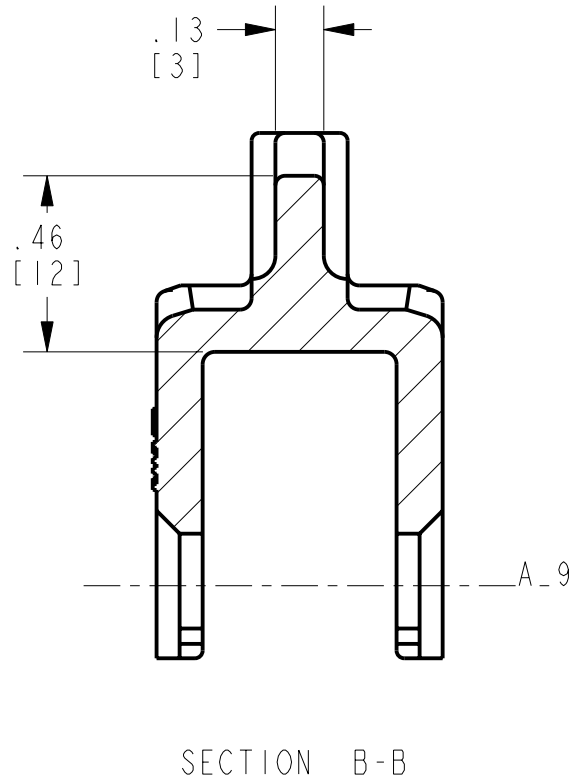
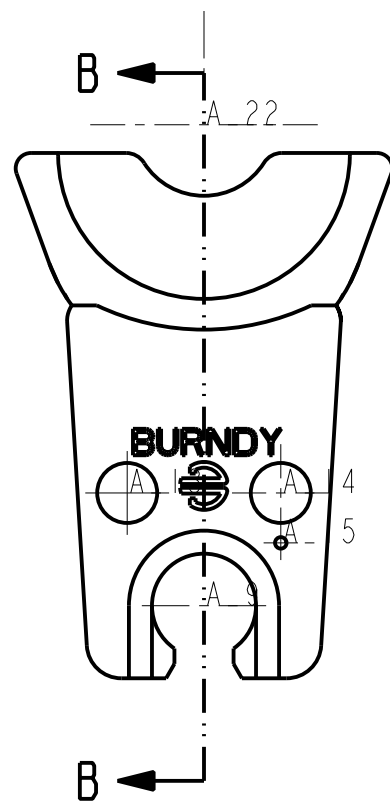
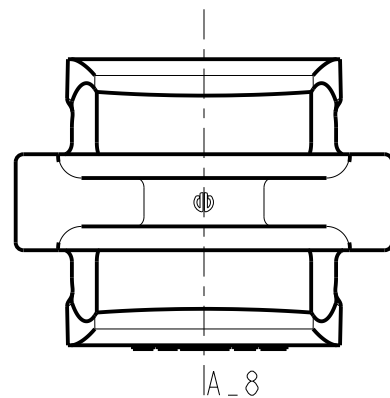


REV.	DATE	DESCRIPTION	ECO	BY	C'H'K.
B	01/23/2014 00:00:00 AM	UPDATED AS PER MARKUP	34285	MVP	MB



NOTES:

1. DIMENSIONS IN BRACKETS [] ARE IN MILLIMETERS ROUNDED OFF TO THE NEAREST MILLIMETER, UNLESS OTHERWISE NOTED, AND ARE FOR REFERENCE ONLY.
2. MATERIAL: STAINLESS STEEL
3. DIE GAGE CAT. NO. WPG248.

TO ORDER BURNDY® PRODUCTS CALL

UNITED STATES:
1-800-346-4175 (LONDONDERRY, NH)

CANADA:
1-800-361-6975 (QUEBEC)
1-800-387-6487 (ALL OTHER PROVINCES)

FOR PRODUCT INFO: <http://www.burndy.com>

W DIE 248,246 (MD6 HYTOOL™)

ITEM NO: 464424

CAT. NO: W248

DRAWN BY:	SAKTHI M	12/17/2012
CHECKER:	P. WASON	04/08/2013
DSN APPVL:	L. BROWN	05/21/2013
MFG APPVL:	S. HOPPS	04/11/2013
QA APPVL:	--	--
MKT APPVL:	M. RZASA	04/09/2013
PROD FAM:	--	--
PROJECT #:	--	--
DOCUMENT TYPE:	Sales	--
REL LEVEL:	Released	--



SCALE: 3:2

SIZE	DRAWING NO	REV
B	50015900	B
SHEET 1 OF 1		

REV: PE0200