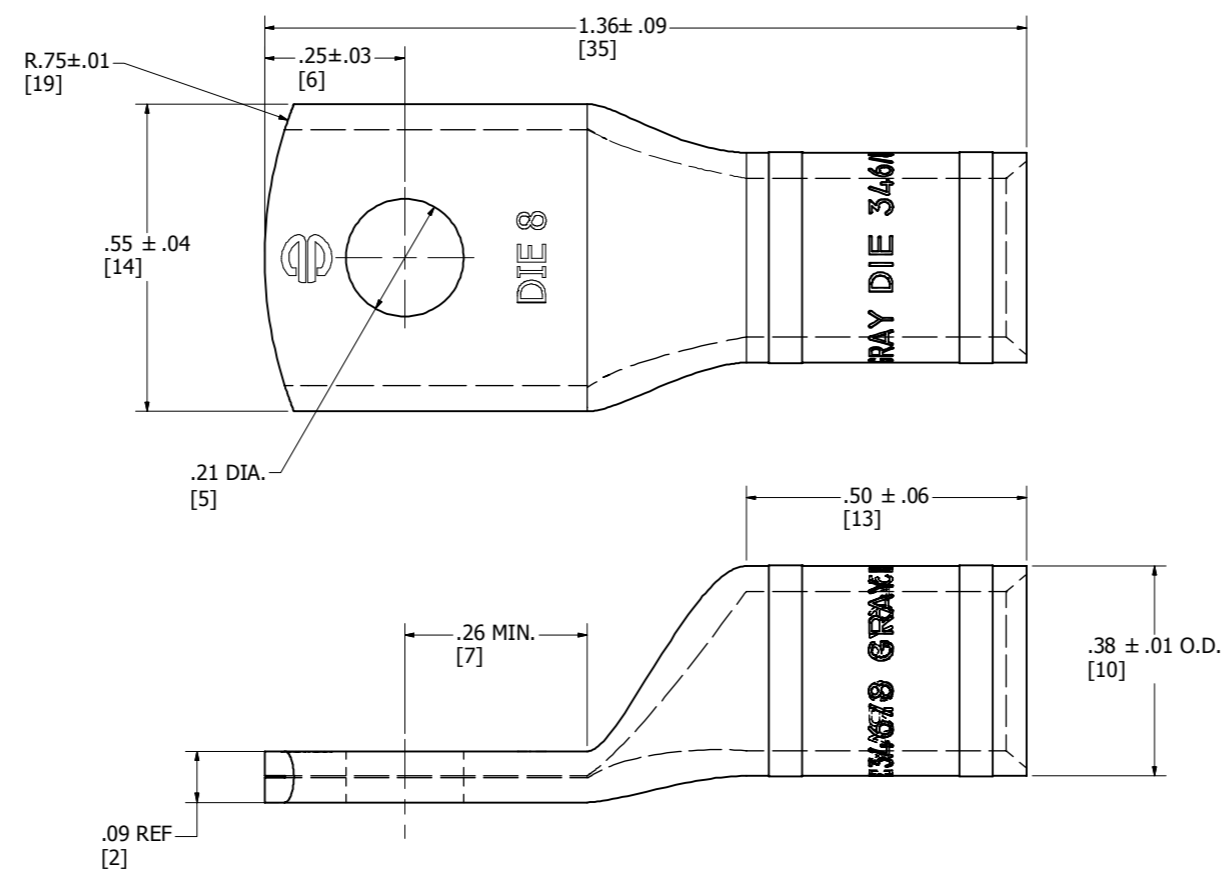
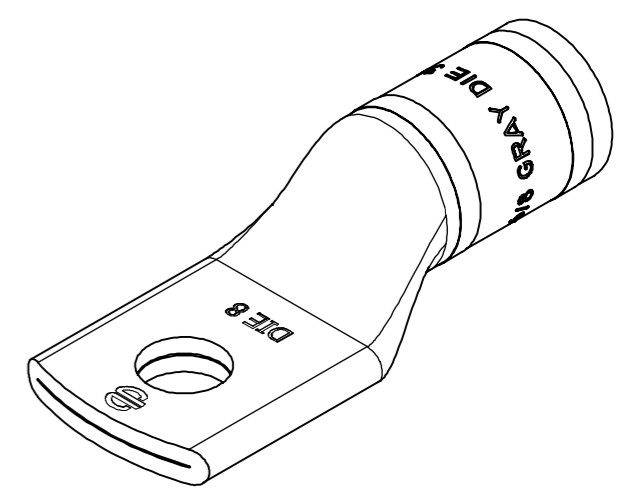


BURNDY CATALOG NUMBER	BURNDY ITEM NUMBER	BOX QTY	WIRE SIZE	STUD SIZE	CONNECTOR MARKING	STRIP LENGTH	BURNDY INSTALLATION TOOLING (# CRIMPS)					
							DIE INDEX	COLOR CODE	MECHANICAL		HYDRAULIC Y35, Y750, PAT 750	DIELESS (#CRIMPS)
									MD7-34R PATMD6	MRC840		
YAGB4CLTC10FX	50000978	20	# 4	10#	GRAY	9/16"	8	GRAY	W4CVT (1) W4CRT (1)	(1)	U4CRT (1)	HYDRAULIC PAT81KFT (1) PAT4PC834 (1) PAT644(1) MECHANICAL MY29-11 (1)

REV	DATE	DESCRIPTION	ECO	BY	CHK.
A	12/05/2012	NEW SALES DRAWING CREATED	29647	VK	MA



GRAY DIE 346/8
BARREL MARKING



- NOTES:**
- MATERIAL: COPPER TUBING
 - FINISH: TIN PLATED.
 - DIMENSIONS IN BRACKETS [] ARE IN MILLIMETERS ROUNDED OFF TO THE NEAREST MILLIMETER, UNLESS OTHERWISE NOTED, AND ARE FOR REFERENCE ONLY.
 - "W-RT" AND "U" DIE SETS ARE COLOR CODED.
 - ACCOMMODATES THE FOLLOWING BATTERY POST TYPES:
TYPE A - SAE
TYPE A1 - DIN
TYPE A2 - EN/JIS
TYPE A3 - JIS PENCIL POST
TYPE M - MARINE
TYPE M1 - MARINE.
 - TERMINAL : HEAVRY DUTY. ACCOMMODATES CLASS: B, C, G, H, I, K STRANDED COPPER CONDUCTOR.
 - QTY 20 TO BE PACKAGED IN A SUITABLE SIZE CARTON AND SEALED.

TO ORDER BURNDY® PRODUCTS CALL		HYLUG™	
UNITED STATES 1-800-346-4175 (LONDONDERRY, NH)		ITEM NO: 50000978	
CANADA: 1-800-361-6975 (QUEBEC) 1-800-387-6487 (ALL OTHER PROVINCES)		CAT. NO: YAGB4CLTC10FX	
FOR PRODUCT INFO: http://www.burndy.com		DRAWN BY: VKAMAL 12/05/12 CHECKER: J MICHAUD 12/11/12 DSN APRVL: J MICHAUD 12/11/12 MFG APRVL: M SMITH 12/11/12 QA APRVL: T WATTS 12/11/12 MKT APRVL: J SYLVIA 12/12/12	
		PROD FAM: CM&R COMPRESSION PROJECT #: -- DOCUMENT TYPE: SALES REL LEVEL: Released	