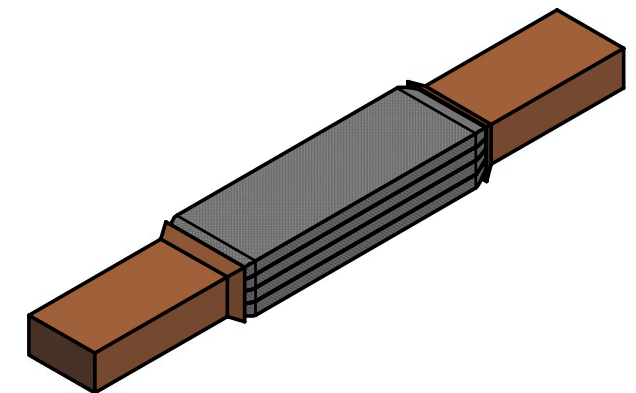
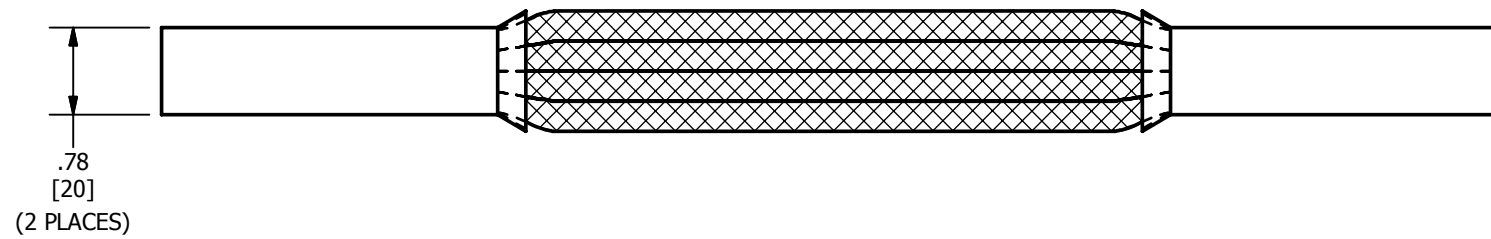
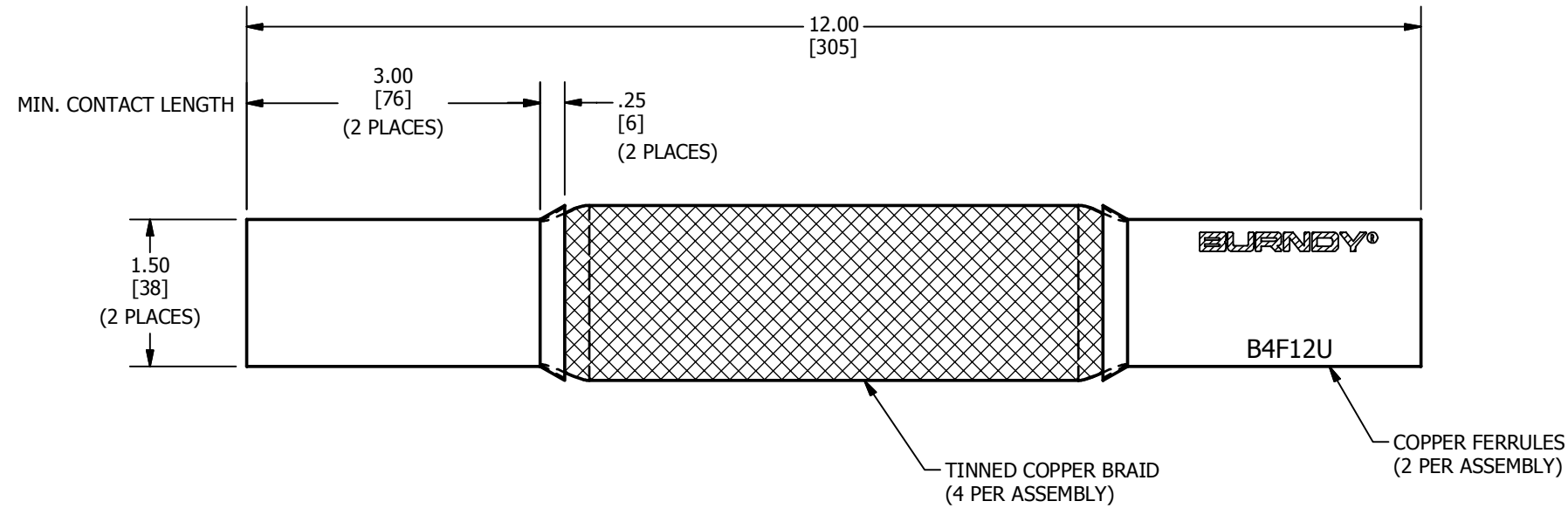


REV	DATE	DESCRIPTION	ECO	BY	C'H'K.
A	12/05/2012	SALES DRAWING CREATED	29684	PB	MB



NOTES:

1. APPROXIMATE AMP RATING: 1000 A INDOOR, 1200 A OUTDOOR. THIS RATING MAY VARY WITH AMBIENT CONDITIONS, ORIENTATION OF THE BRAID, AND OTHER SERVICE CONDITIONS.
2. DIMENSIONS IN BRACKETS [] ARE IN MILLIMETERS ROUNDED OFF TO THE NEAREST MILLIMETER, UNLESS OTHERWISE NOTED, AND ARE FOR REFERENCE ONLY.

TO ORDER BURNDY® PRODUCTS CALL		BRAID	
UNITED STATES 1-800-346-4175 (LONDONDERRY, NH)		ITEM NO: 26002381	
CANADA: 1-800-361-6975 (QUEBEC) 1-800-387-6487 (ALL OTHER PROVINCES)		CAT. NO: B4F12U	
FOR PRODUCT INFO: http://www.burndy.com		DRAWN BY: PARTHIBAN B 12/5/2012	
		CHECKER: E MARTIN 12/6/2012	
		DSN APRVL: E MARTIN 12/6/2012	
		MFG APRVL: --	
		QA APRVL: C ACKERMAN 12/12/2012	
		MKT APRVL: K ROBICHEAU 12/6/2012	
		PROD FAM: MECHANICAL GROUNDING	
		PROJECT #: --	
		SIZE	
		DRAWING NO	
		50015975	
		REV	
		A	
		SHEET 1 OF 1	
		REL LEVEL: Released	