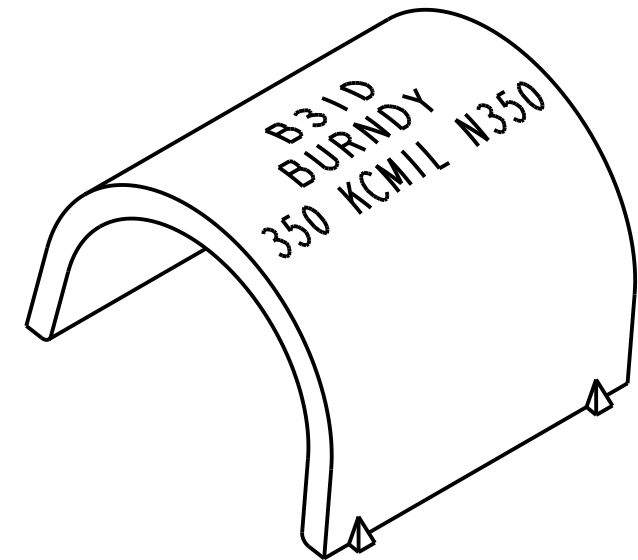
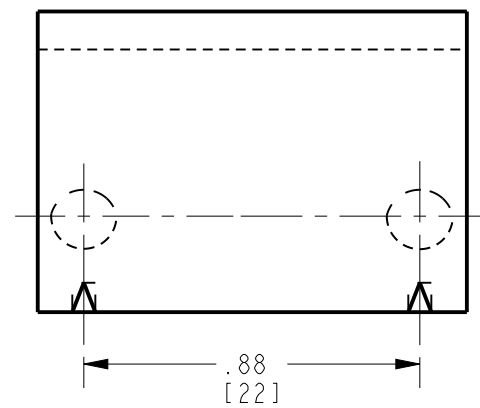
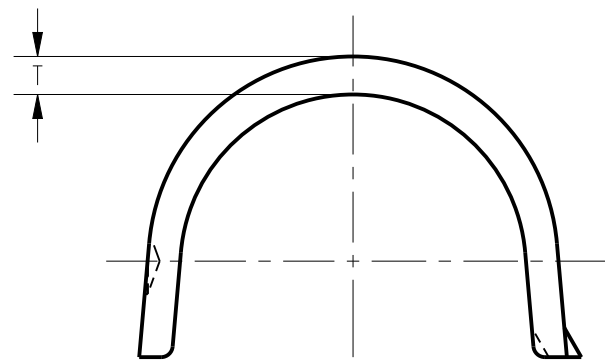
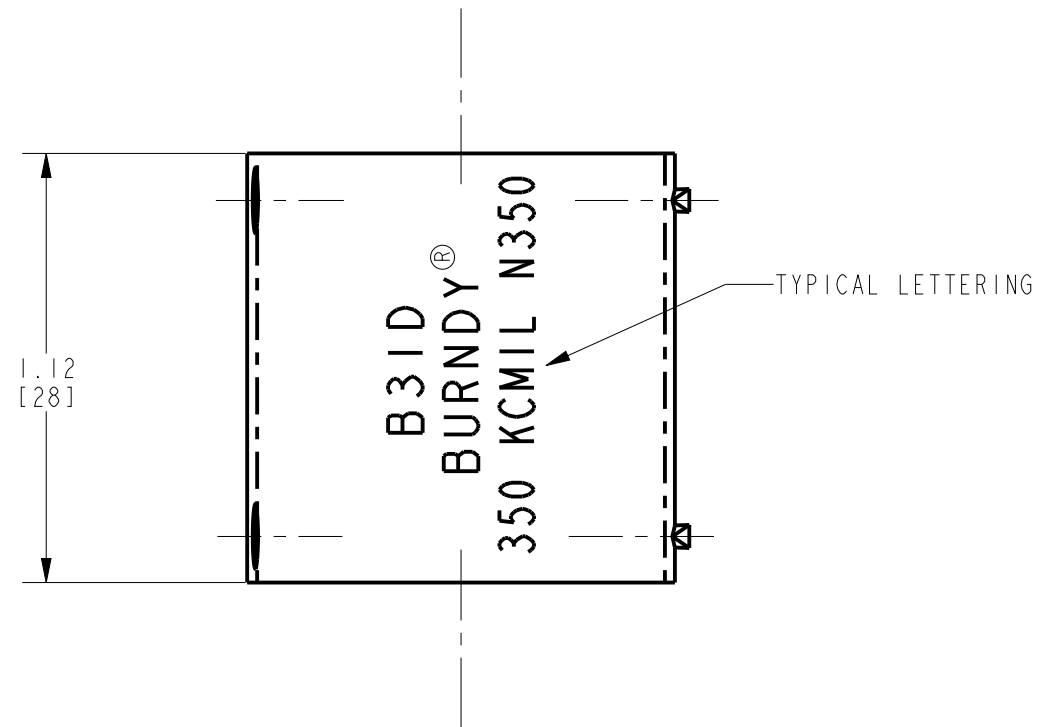


CATALOG NUMBER	ITEM NUMBER	T	INDEX
B31D	443039	.10 [3]	350
B32D	443045	.06 [2]	400

REV.	DATE	DESCRIPTION	ECO	BY	C'H'K.
A	12/21/2012	NEW SALES DRAWING CREATION	29685	PS	MB



NOTES:

- DIMENSIONS IN BRACKETS [ ] ARE IN MILLIMETERS AND ARE ROUNDED OFF TO THE NEAREST MILLIMETER, UNLESS OTHERWISE SPECIFIED AND ARE FOR REFERENCE ONLY.
- MATERIAL: STAINLESS STEEL.

TO ORDER BURNDY® PRODUCTS CALL

UNITED STATES:  
1-800-346-4175 (LONDONDERRY, NH)

CANADA:  
1-800-361-6975 (QUEBEC)  
1-800-387-6487 (ALL OTHER PROVINCES)

FOR PRODUCT INFO: <http://www.burndy.com>

HOLDING DIE (NAVY & COMMERCIAL)		SCALE: 1:1
ITEM NO: SEE TABLE		DRAWING NO
CAT. NO: SEE TABLE		
DRAWN BY: S. PRASANNA	12/21/2012	REV
CHECKER: --	--	50016009
DSN APPVL: --	--	
MFG APPVL: --	--	A
QA APPVL: JOE	05/21/2013	
MKT APPVL: DANIEL	05/16/2013	SHEET 1 OF 1
PROD FAM: --	--	
PROJECT #: --	SIZE	
DOCUMENT TYPE: Sales	B	
REL LEVEL: Released		



REV: PE0200