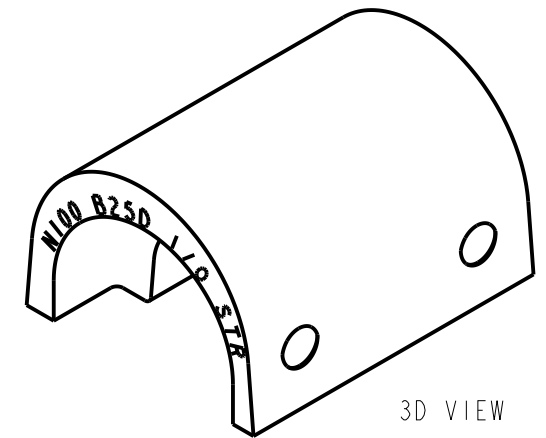
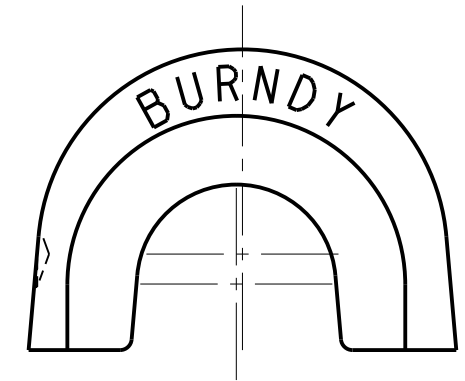
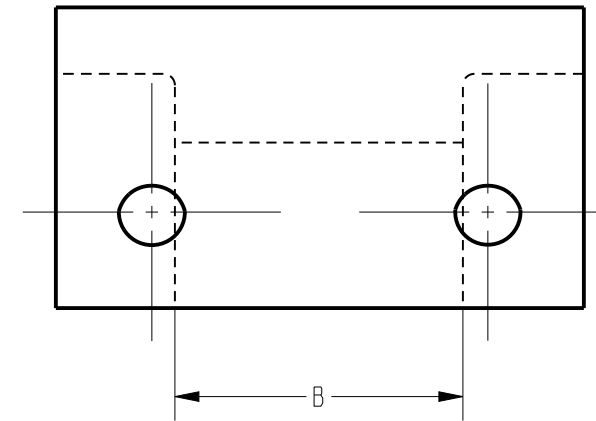
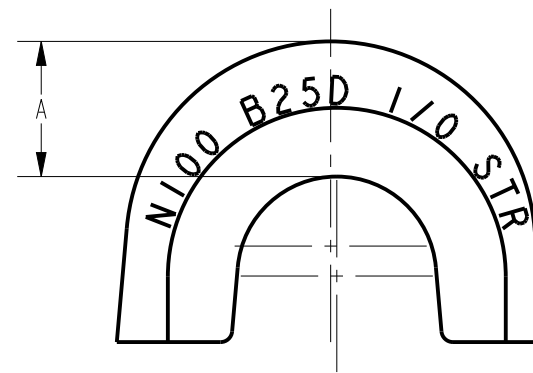


CATALOG NO.	ITEM NO.	A	B	DIE INDEX	CONDUCTOR
B25D	443190	.35 [9]	.75 [19]	100	1/0 STR
B26D	443037	.33 [8]		125	2/0 STR
B27D	443041	.29 [7]	.81 [21]	150	3/0 STR
B28D	443230	.23 [6]		200	4/0 STR
B1CD	443043	.38 [10]	.75 [19]	75	1 STR
B2CD	443044	.40 [10]		60	2 STR
B4CD	443042	.44 [11]	.69 [18]	40	4 STR
B6CD	443048	.46 [12]	.56 [14]	30	6 STR

REV.	DATE	DESCRIPTION	ECO	BY	C'H'K.
A	12/21/2012	NEW SALES DRAWING CREATION	29685	PS	MB



NOTES:

1. MATERIAL: CHROME VANADIUM STEEL.
2. DIMENSIONS IN BRACKETS [ ] ARE IN MILLIMETERS ROUNDED OFF TO THE NEAREST MILLIMETER, UNLESS OTHERWISE SPECIFIED AND ARE FOR REFERENCE ONLY.

TO ORDER BURNDY® PRODUCTS CALL

UNITED STATES:  
1-800-346-4175 (LONDONDERRY, NH)

CANADA:  
1-800-361-6975 (QUEBEC)  
1-800-387-6487 (ALL OTHER PROVINCES)

FOR PRODUCT INFO: <http://www.burndy.com>

HOLDING DIE (NAVY & COMMERCIAL)

ITEM NO: SEE TABLE

CAT. NO: B--D (SEE TABLE)

DRAWN BY: S.PRASANNA 12/21/2012

CHECKER: --

DSN APPVL: --

MFG APPVL: --

QA APPVL: JOE 05/21/2013

MKT APPVL: DANIEL 05/16/2013

PROD FAM: --

PROJECT #: --

DOCUMENT TYPE: SALES

REL LEVEL: Released



SCALE: 1:1

DRAWING NO

50016050

REV

A

SHEET 1 OF 1