

REV	DATE	DESCRIPTION	ECO	BY	CHK.
A	04/18/2013	SALES DRAWING FOR CAT# PENA55GAL	31331	PM	MB

BURNDY®

CAT. NO.: PENA55GAL QTY.: 55 GAL. FILL DATE : XX/XX/XXXX

PENETROX™ A

ELECTRICAL JOINT COMPOUND

RECOMMENDED FOR USE ON ALUMINUM TO ALUMINUM AND ALUMINUM TO COPPER CONNECTORS, ON BARE CONDUCTORS, ON BUS BARS. ASSURES HIGH CONDUCTIVITY JOINT BY SEALING OUT AIR AND MOISTURE TO PREVENT CORROSION AND REFORMATION OF OXIDE FILM.

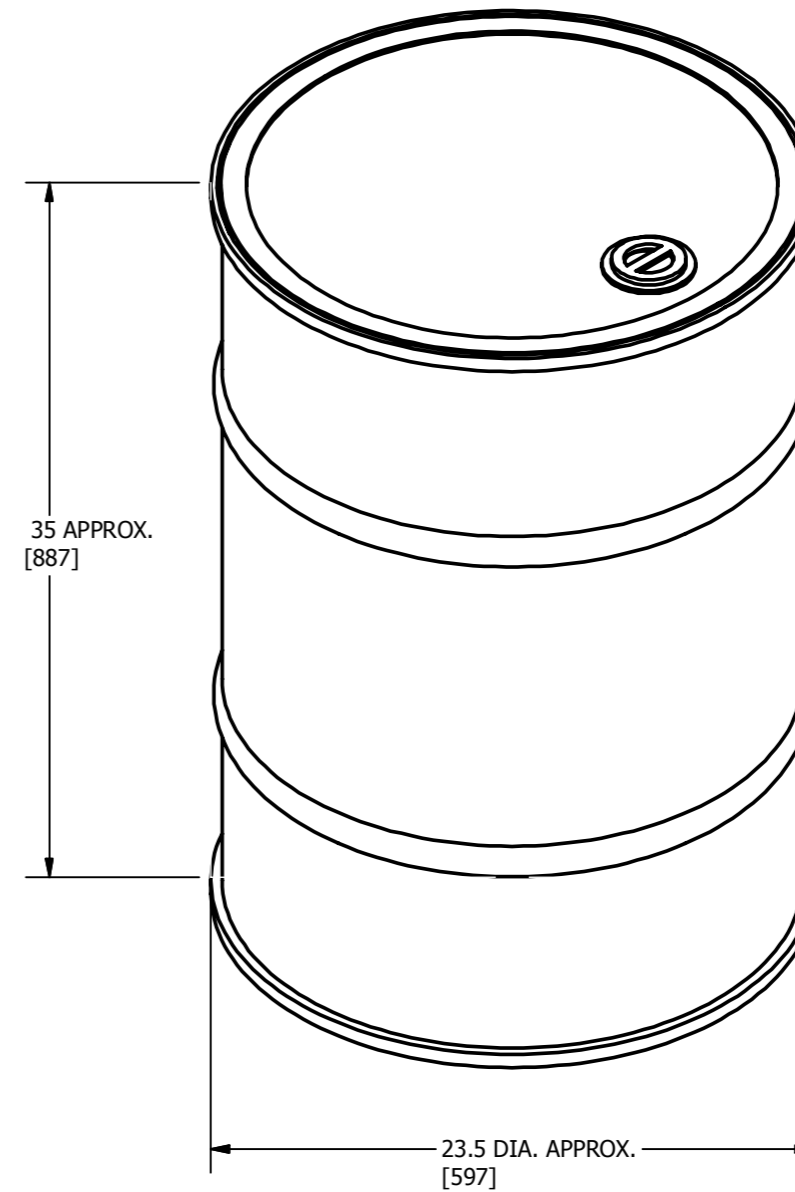
----- DIRECTIONS -----

1. ABRABE CONDUCTORS WITH WIRE BRUSH OR EMERY CLOTH.
2. ABRABE ALUMINUM CONNECTORS IF NOT PREFILLED WITH PENETROX™ A. DO NOT ABRABE PLATED CONNECTORS.
3. MIX CONTENTS PRIOR TO USE.
4. APPLY PENETROX™ A LIBERALLY TO BOTH CONNECTOR AND CONDUCTOR.
5. ASSEMBLE JOINT.
6. WIPE OFF EXCESS MATERIAL FROM INSULATION.

LISTED 824F

STORE AT TEMPERATURE BELOW 110DEG.F (43 DEG. C). USE ABOVE -25 DEG. C.
PENETROX A™ ALSO LUBRICATES AND INSURES CONTINUITY OF GROUND ON ALUM. CONDUIT THREADS.
CONDUCTOR TERMINATION COMPOUNDS. DCI 781810-59283 STK 547305

7664 1985 BURNDY CORPORATION | MANCHESTER, NH 03109



NOTES:

1. DIMENSIONS IN BRACKETS [] ARE IN MILLIMETERS ROUNDED OFF TO THE NEAREST MILLIMETER, UNLESS OTHERWISE SPECIFIED AND ARE FOR REFERENCE ONLY.
2. CONTAIN : PENETROX™ 'A' CATALOG NUMBER PENABLLB

TO ORDER BURNDY® PRODUCTS CALL		PENETROX 55 GALLON DRUM	
UNITED STATES 1-800-346-4175 (LONDONDERRY, NH)		ITEM NO: 547011	
CANADA: 1-800-361-6975 (QUEBEC) 1-800-387-6487 (ALL OTHER PROVINCES)		CAT. NO: PENA55GAL	
FOR PRODUCT INFO: http://www.burndy.com		DRAWN BY: PALANI M 12/07/2012	
		CHECKER: K BOUTIN 08/29/2013	
		DSN APRVL: K BOUTIN 08/29/2013	
		MFG APRVL: --	
		QA APRVL: C ACKERMAN 08/22/2013	
		MKT APRVL: R CAVANAUGH 08/01/2013	
		PROJ #: --	
		DRAWING NO: 50016092	
		REV: A	
		SHEET 1 OF 1	
		REL LEVEL: Released	