


REV	DATE	DESCRIPTION	ECO	BY	C'H'K.
A	12/07/2012	SALES DRAWING FOR CAT# PENA13GAL	29581	PM	MB



CAT. NO.: PENA13GAL    QTY.: 1 GAL.    FILL DATE : XX/XX/XXXX

## PENETROX™ A13

ELECTRICAL JOINT COMPOUND


RECOMMENDED FOR USE ON ALUMINUM TO ALUMINUM AND ALUMINUM TO COPPER CONNECTORS, ON BARE CONDUCTORS, ON BUS BARS, AND ON INSULATED CONDUCTORS.

**GOOD FOR ALL VOLTAGES. ASSURES HIGH CONDUCTIVITY JOINT BY SEALING OUT AIR AND MOISTURE TO PREVENT CORROSION AND REFORMATION OF OXIDE FILM.**

----- DIRECTIONS -----

1. ABRASE CONDUCTORS WITH WIRE BRUSH OR EMERY CLOTH.
2. ABRASE ALUMINUM CONNECTORS IF NOT PREFILLED WITH PENETROX™ A13. DO NOT ABRASE PLATED CONNECTORS.
3. MIX CONTENTS PRIOR TO USE.
4. APPLY PENETROX™ A13 LIBERALLY TO BOTH CONNECTOR AND CONDUCTOR.
5. ASSEMBLE JOINT.
6. WIPE OFF EXCESS MATERIAL FROM INSULATION.

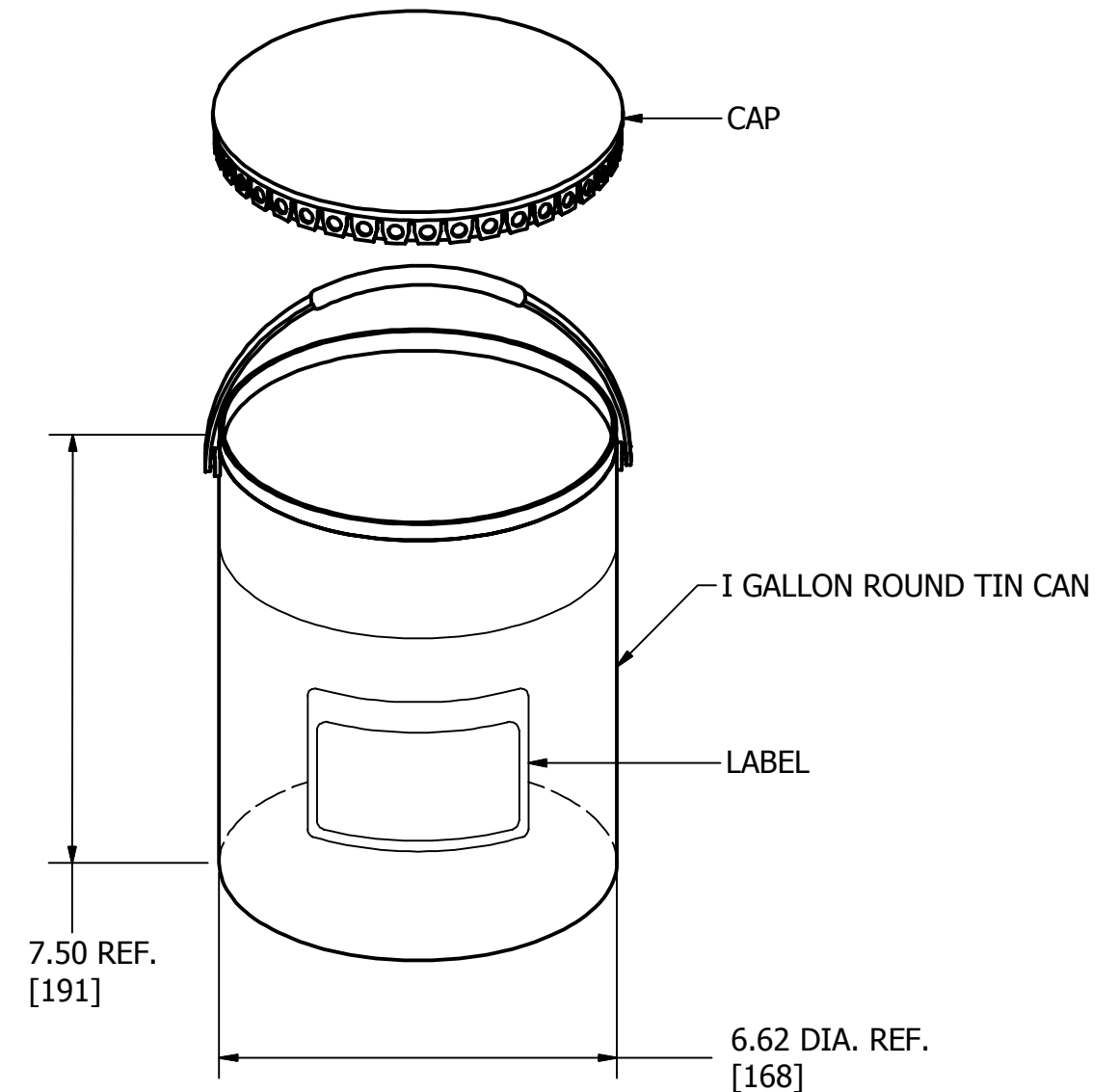
LISTED 824F



STORE AT TEMPERATURE BELOW 110DEG.F (43 DEG. C). USE ABOVE -25 DEG. C.  
PENETROX A™ ALSO LUBRICATES AND INSURES CONTINUITY OF GROUND ON ALUM. CONDUIT THREADS.

CONDUCTOR TERMINATION COMPOUNDS.    DCI 781810-59283    STK 547305

7664 1985 BURNDY CORPORATION □ MANCHESTER, NH 03103



**NOTES:**

1. MINIMUM SHELF LIFE : 7 YEARS (WHEN STORED IN SEALED CONTAINER AT TEMPERATURE WITHIN THE SPECIFIED SERVICE TEMPERATURE RANGE).
2. DIMENSIONS IN BRACKETS [ ] ARE IN MILLIMETERS ROUNDED OFF TO THE NEAREST MILLIMETER, UNLESS OTHERWISE SPECIFIED AND ARE FOR REFERENCE ONLY.
3. LABEL FULL SIZE : 4.94 [125] x 5.90 [150].

TO ORDER BURNDY® PRODUCTS CALL		PEN 'A13' GAL CAN	
UNITED STATES 1-800-346-4175 (LONDONDERRY, NH)		ITEM NO: 547398	
CANADA: 1-800-361-6975 (QUEBEC) 1-800-387-6487 (ALL OTHER PROVINCES)		CAT. NO: PENA13GAL	
FOR PRODUCT INFO: <a href="http://www.burndy.com">http://www.burndy.com</a>		DRAWN BY: PALANI M    12/07/2012	
		CHECKER: --	
		DSN APRVL: --	
		MFG APRVL: FRED    07/24/2013	
		QA APRVL: --	
		MKT APRVL: ROBBIN    07/23/2013	
		PROD FAM: --	
		DRAWING NO	
		50016093	
		REV	
		A	
		SHEET 1 OF 1	