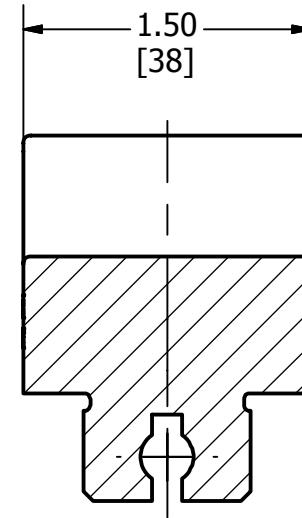
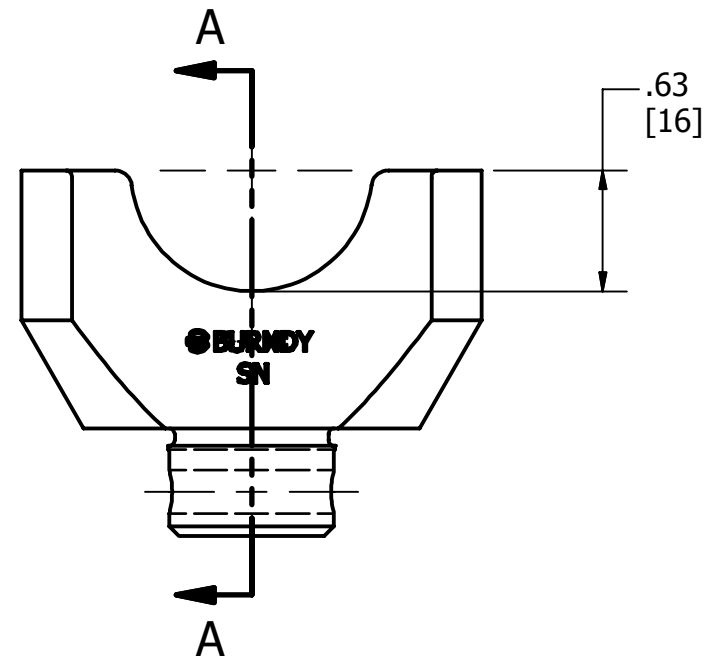
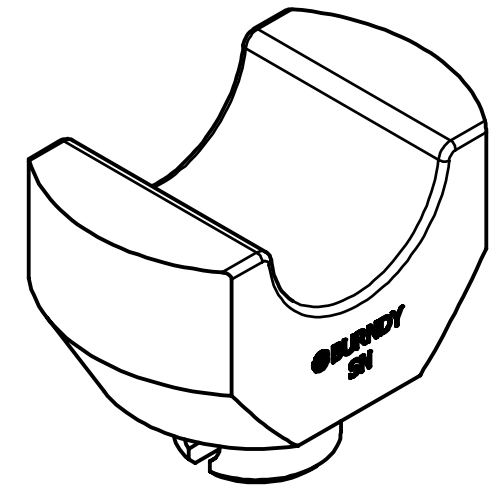
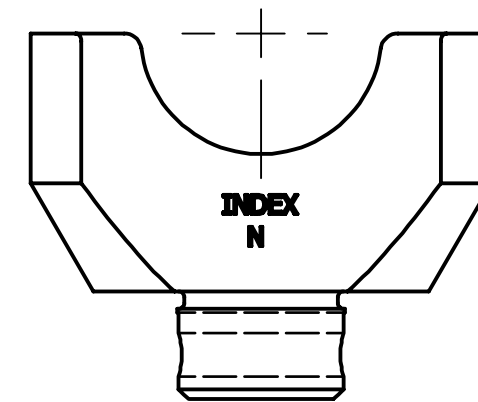


REV	DATE	DESCRIPTION	ECO	BY	C'H'K.
A	12/07/2012	DRAWING RELEASED	29635	YM	MB



SECTION A-A



NOTES:

- DIMENSIONS IN BRACKETS [] ARE IN MILLIMETERS ROUNDED OFF TO THE NEAREST MILLIMETER, UNLESS OTHERWISE SPECIFIED AND ARE FOR REFERENCE ONLY.
- MATERIAL: STAINLESS STEEL.

TO ORDER BURNDY® PRODUCTS CALL		CIRCULAR TWIN DIE (Y45L)	
UNITED STATES 1-800-346-4175 (LONDONDERRY, NH)		ITEM NO: 413005	
CANADA: 1-800-361-6975 (QUEBEC) 1-800-387-6487 (ALL OTHER PROVINCES)		CAT. NO: SN	
FOR PRODUCT INFO: http://www.burndy.com		DRAWN BY: YUNARAJ.M 12/07/2012	
		CHECKER: --	
		DSN APRVL: P.WASON 09/10/2013	
		MFG APRVL: --	
		QA APRVL: CHERYL 09/20/2013	
		MKT APRVL: MIKE 09/07/2013	
		PROD FAM: --	
		DRAWING NO	
		50016098	
		REV	
		A	
		SHEET 1 OF 1	