

| REV | DATE | DESCRIPTION | ECO | BY | CHK. |
|-----|------------|---------------------------------|-------|----|------|
| A | 04/18/2013 | SALES DRAWING FOR CAT# PENE5GAL | 31331 | PM | MB |



CAT. NO.: PENE5GAL QTY.: 5 GAL. FILL DATE : XX/XX/XXXX

PENETROX™ E
ELECTRICAL JOINT COMPOUND

RECOMMENDED FOR ALL CU/CU APPLICATIONS, GROUNDING AND FOR USE ON COPPER CONDUIT THREADS. ASSURES HIGH CONDUCTIVITY JOINT BY SEALING OUT AIR AND MOISTURE TO PREVENT CORROSION AND REFORMATION OF OXIDE FILM.

----- DIRECTIONS -----

1. ABRABE CONDUCTORS WITH WIRE BRUSH OR EMERY CLOTH.
2. ABRABE ALUMINUM CONNECTORS IF NOT PREFILLED WITH PENETROX™ E. DO NOT ABRABE PLATED CONNECTORS.
3. MIX CONTENTS PRIOR TO USE.
4. APPLY PENETROX™ E LIBERALLY TO BOTH CONNECTOR AND CONDUCTOR.
5. ASSEMBLE JOINT.
6. WIPE OFF EXCESS MATERIAL FROM INSULATION.

LISTED 824F



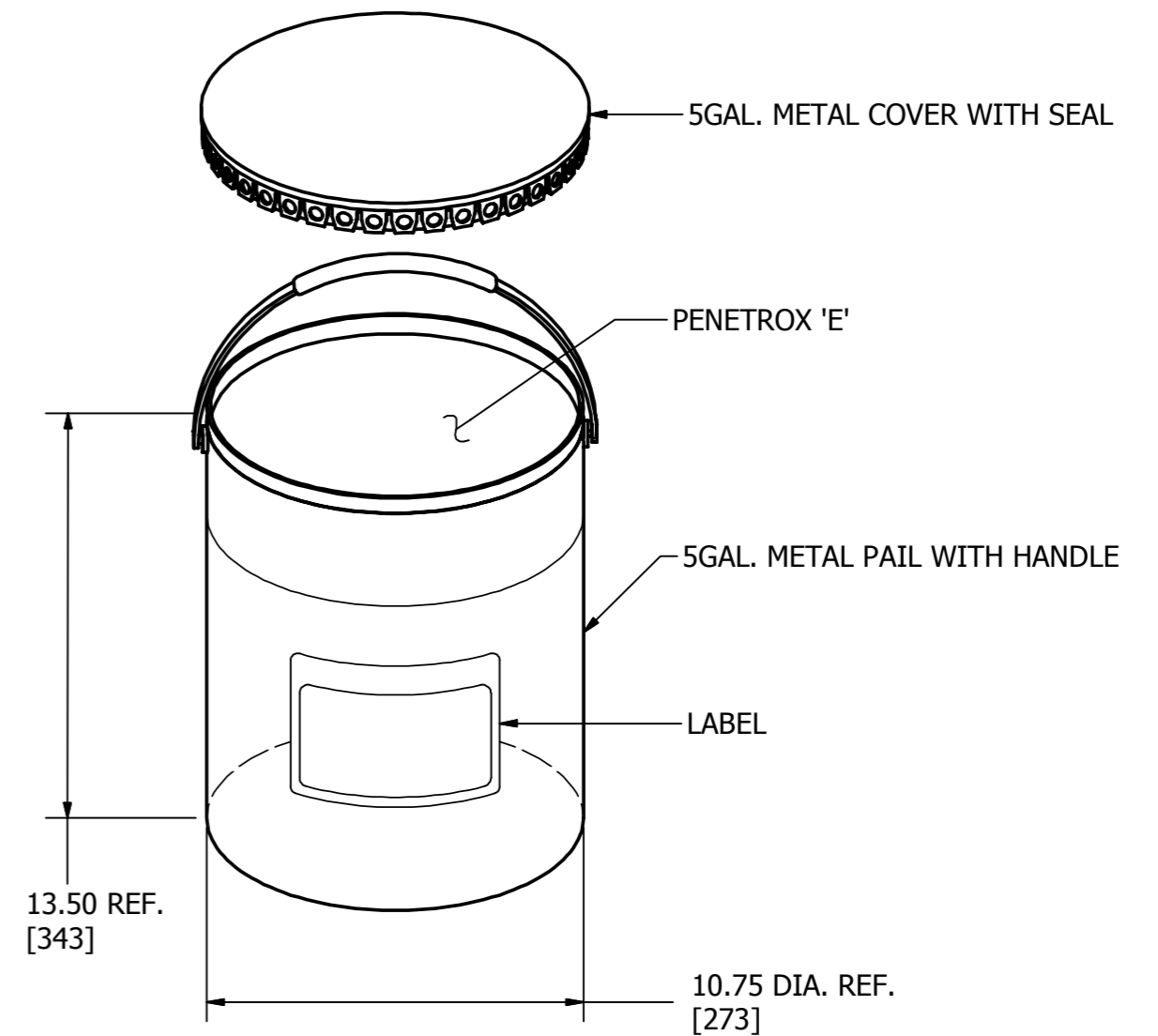
CONDUCTOR TERMINATION COMPOUNDS.

STORE AT TEMPERATURE BELOW 110DEG.F (43 DEG. C). USE ABOVE -25 DEG. C.

PENETROX™ E ALSO LUBRICATES AND INSURES CONTINUITY OF GROUND ON ALUM. CONDUIT THREADS.

DCI 781810-59283 STK 547305

7664 1985 BURNDY CORPORATION □ MANCHESTER, NH 03109



NOTES:

1. DIMENSIONS IN BRACKETS [] ARE IN MILLIMETERS ROUNDED OFF TO THE NEAREST MILLIMETER, UNLESS OTHERWISE SPECIFIED AND ARE FOR REFERENCE ONLY.
2. PAIL : 5 GALLON STEEL PAIL WITH HANDLE, 28/26 GAUGE - BLACK, WITH SEPERATE LUG COVER AND GASKET.
3. LABEL FULL SIZE: 5.00 [127] X 6.00 [152]

| | | | |
|---|--|-----------------------------------|--|
| TO ORDER BURNDY® PRODUCTS CALL | | 5 GAL. OF PENETROX™ E | |
| UNITED STATES 1-800-346-4175 (LONDONDERRY, NH) | | ITEM NO: 547098 | |
| CANADA: 1-800-361-6975 (QUEBEC) 1-800-387-6487 (ALL OTHER PROVINCES) | | CAT. NO: PENE5GAL | |
| FOR PRODUCT INFO: http://www.burndy.com | | DRAWN BY: PALANI M 12/10/2012 | |
| | | CHECKER: K BOUTIN 08/29/2013 | |
| | | DSN APRVL: K BOUTIN 08/29/2013 | |
| | | MFG APRVL: -- | |
| | | QA APRVL: C ACKERMAN 08/22/2013 | |
| | | MKT APRVL: R CAVANAUGH 08/01/2013 | |
| | | PROJ #: -- | |
| | | DRAWING NO | |
| | | 50016181 | |
| | | REV | |
| | | A | |
| | | SHEET 1 OF 1 | |