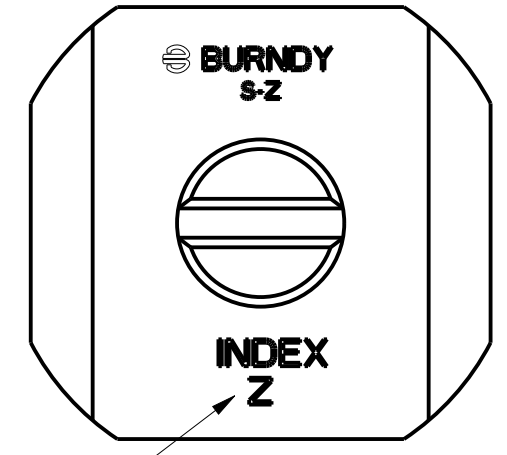
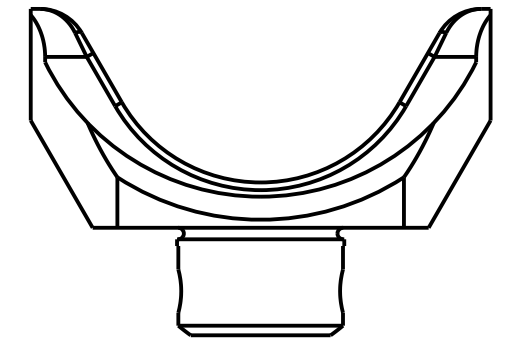
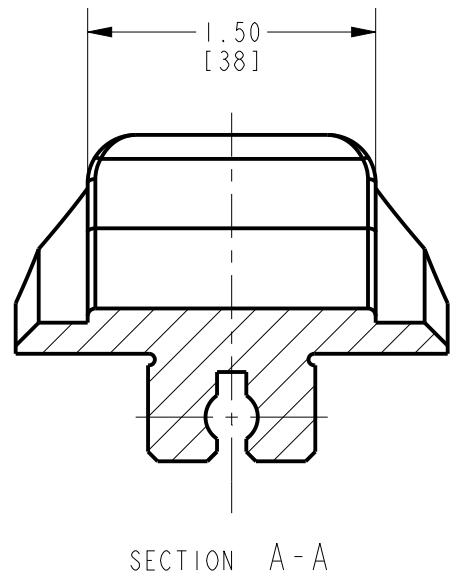
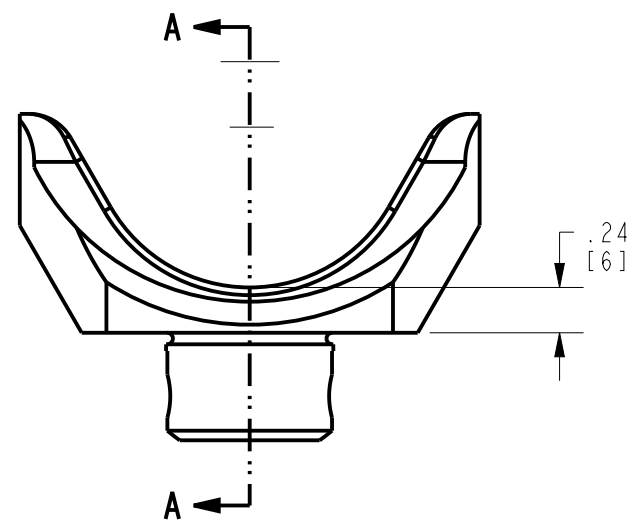
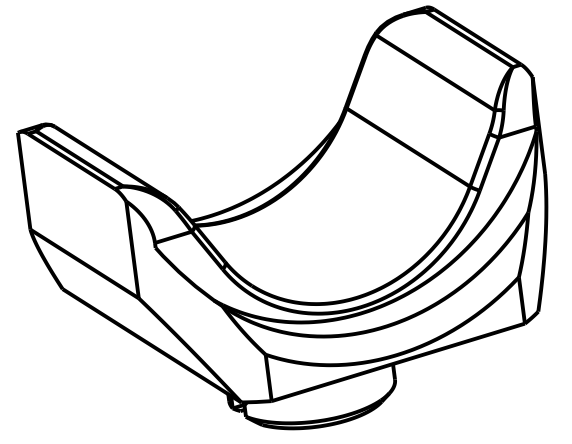


REV.	DATE	DESCRIPTION	ECO	BY	C'H'K.
A	12/11/2012 00:00:00 AM	DRAWING RELEASED	29635	YM	MB



STAMPED LETTERING



NOTES:

1. DIMENSIONS IN BRACKETS [] ARE IN MILLIMETERS ROUNDED OFF TO THE NEAREST MILLIMETER, UNLESS OTHERWISE SPECIFIED AND ARE FOR REFERENCE ONLY.

2. MATERIAL: STAINLESS STEEL.

3. TWIN DIE SET SZ CONSISTS OF TWO SZPI SINGLE DIES AS SHOWN.

TO ORDER BURNDY® PRODUCTS CALL
 UNITED STATES:
 1-800-346-4175 (LONDONDERRY, NH)
 CANADA:
 1-800-361-6975 (QUEBEC)
 1-800-387-6487 (ALL OTHER PROVINCES)
 FOR PRODUCT INFO: <http://www.burndy.com>

CIRCULAR TWIN DIE (Y45L)		SCALE: 1:1	
ITEM NO:	413009	DRAWING NO	
CAT. NO:	SZ		50016188
DRAWN BY:	YUVARAJ.M	12/11/12	REV
CHECKER:	--	--	
DSN APPVL:	P.WASON	09/10/13	SHEET 1 OF 1
MFG APPVL:	--	--	
QA APPVL:	CHERYL	09/20/13	
MKT APPVL:	MIKE	09/07/13	
PROD FAM:	Product/Tools		
PROJECT #:	--	SIZE	
DOCUMENT TYPE:	Sales	B	
REL LEVEL:	Released		

REV: PE0200