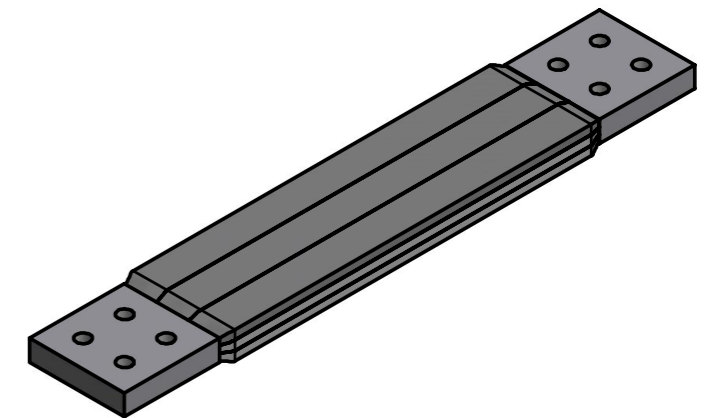
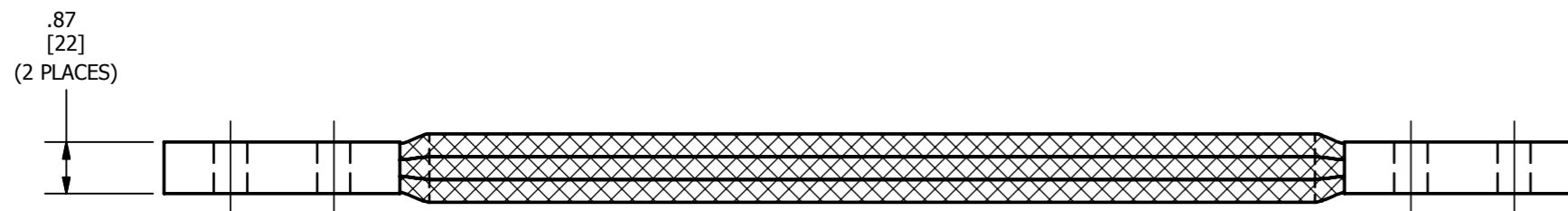
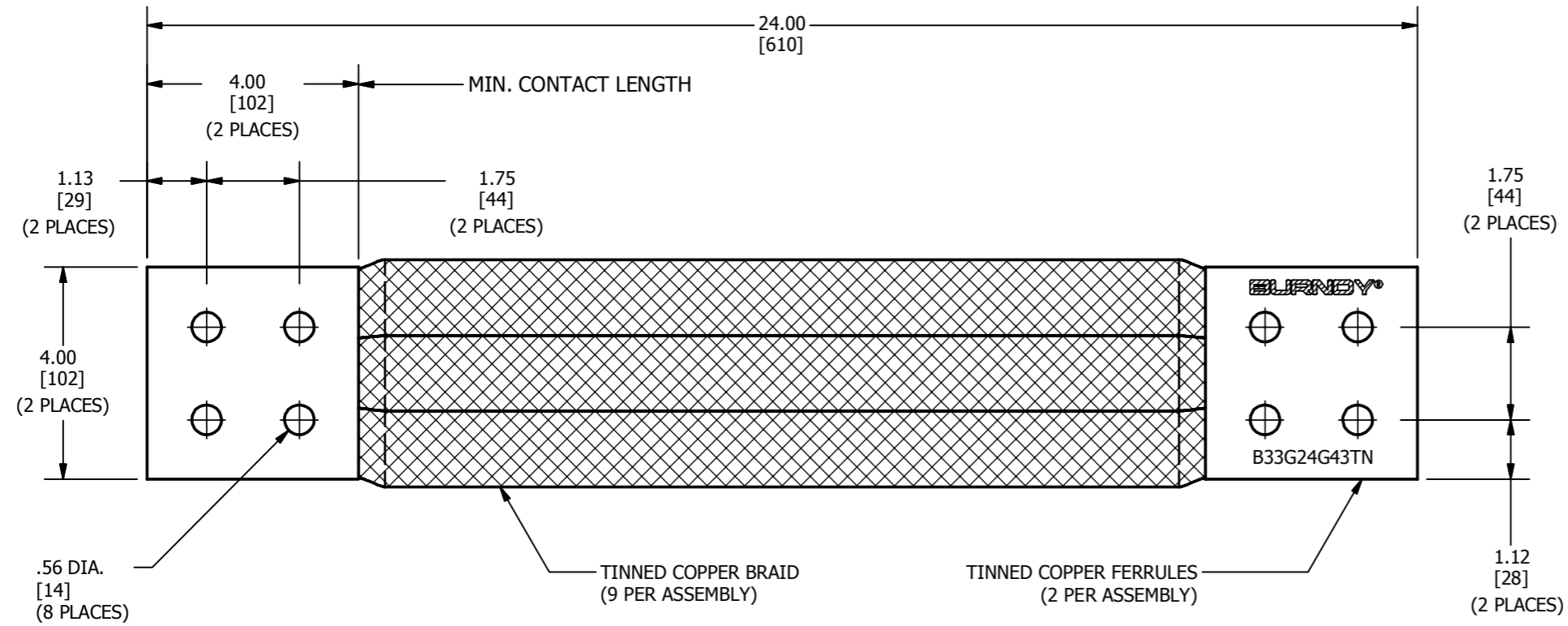


REV	DATE	DESCRIPTION	ECO	BY	CHK.
A	03/11/2013	DRAWING UPDATED AS PER THE MARKUP	30823	DK	MA



3D VIEW

**NOTES:**

1. APPROXIMATE AMP RATING: 3,000A. THIS RATING MAY VARY WITH AMBIENT CONDITIONS, ORIENTATION OF THE BRAID, AND OTHER SERVICE CONDITIONS.
2. DIMENSIONS IN BRACKETS [ ] ARE IN MILLIMETERS ROUNDED OFF TO THE NEAREST MILLIMETER, UNLESS OTHERWISE SPECIFIED AND ARE FOR REFERENCE ONLY.

TO ORDER BURNDY® PRODUCTS CALL		BRAID	
UNITED STATES		ITEM NO: 50016246	
1-800-346-4175 (LONDONDERRY, NH)		CAT. NO: B33G24G43TN	
CANADA:		DRAWN BY: SRAMESH 12-13-2012	
1-800-361-6975 (QUEBEC)		CHECKER: T REYNOLDS 12/14/2012	
1-800-387-6487 (ALL OTHER PROVINCES)		DSN APRVL: T REYNOLDS 12/14/2012	
FOR PRODUCT INFO: <a href="http://www.burndy.com">http://www.burndy.com</a>		MFG APRVL: --	
		QA APRVL: --	
		MKT APRVL: --	
		PROD FAM: MECHANICAL GROUNDING	
		PROJECT #: --	
		SIZE: B	
		DRAWING NO: 50016247	
		REV: A	
		DOCUMENT TYPE: SALES	
		REL LEVEL: Released	
		SHEET 1 OF 1	