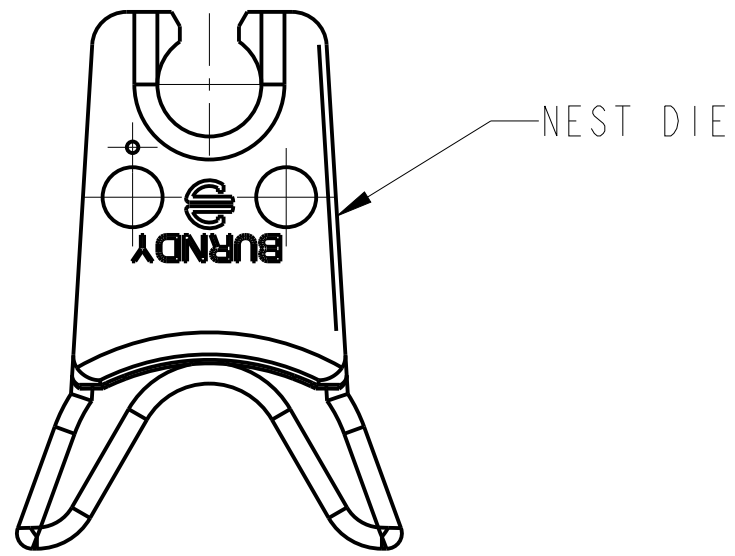
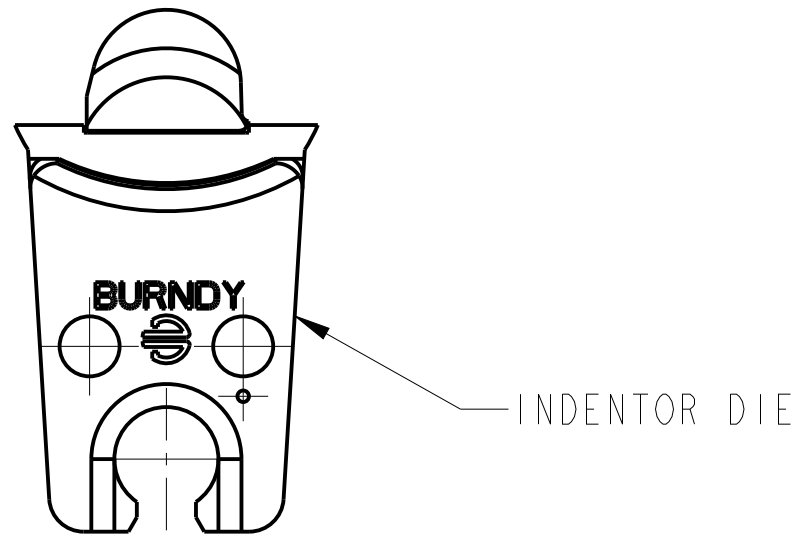


REV.	DATE	DESCRIPTION	ECO	BY	C'H'K.
A	12/12/2012 00:00:00 AM	CREATE SALES DRAWING ( IDW PROJCT)	29656	MS	MB



NEST DIE



INDENTOR DIE

NOTES:

1. DIMENSIONS IN BRACKETS [ ] ARE IN MILLIMETERS ROUNDED OFF TO THE NEAREST MILLIMETER, UNLESS OTHERWISE NOTED, AND ARE FOR REFERENCE ONLY.

REV: PE0200

TO ORDER BURNDY® PRODUCTS CALL		XOH25 DIE SET	
UNITED STATES:		ITEM NO: 50016264,472015	
1-800-346-4175 (LONDONDERRY, NH)		CAT. NO: XOH25	
CANADA:		DRAWN BY: SAKTHI M 12/12/2012	
1-800-361-6975 (QUEBEC)		CHECKER: P WASON 04/08/2013	
1-800-387-6487 (ALL OTHER PROVINCES)		DSN APPVL: L BROWN 05/21/2013	
FOR PRODUCT INFO: <a href="http://www.burndy.com">http://www.burndy.com</a>		MFG APPVL: S HOPPS 04/11/2013	
		QA APPVL: --	
		MKT APPVL: M RZASA 04/09/2013	
		PROJ FAM: --	
		PROJECT #: --	
		DOCUMENT TYPE: Sales	
		REL LEVEL: Released	
		SIZE	DRAWING NO
		B	50016265
			REV
			A
		SCALE: 1.000	SHEET 1 OF 1

