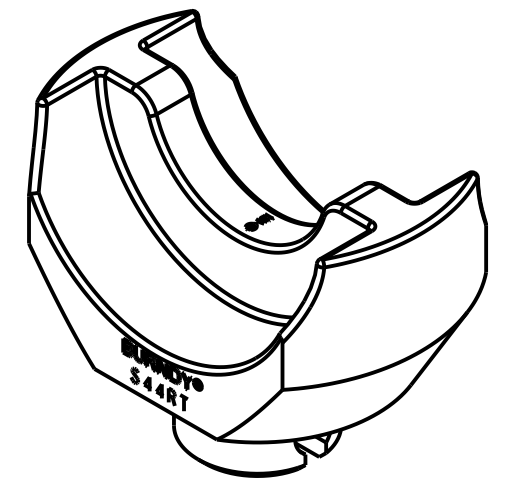
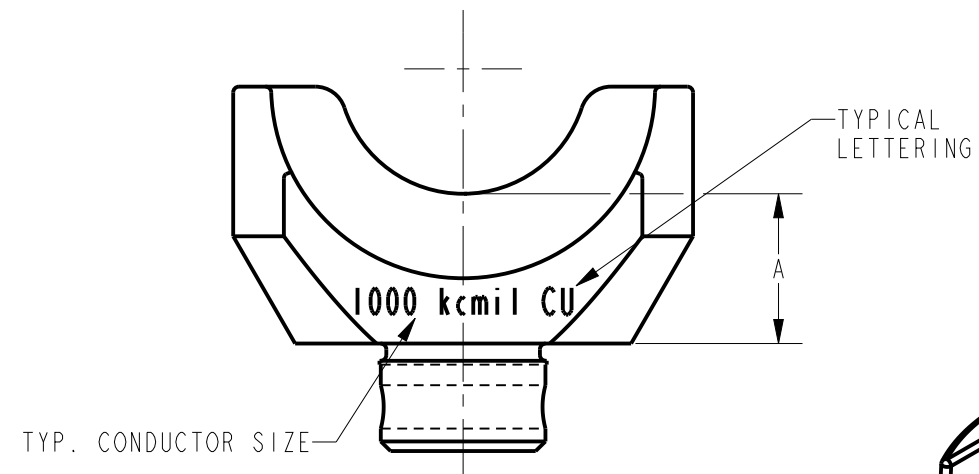
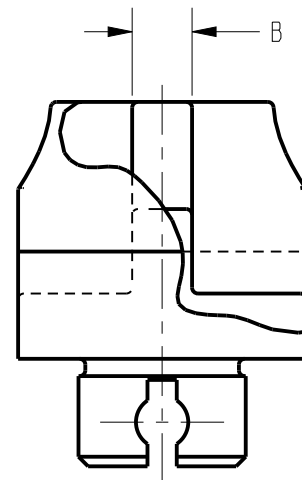
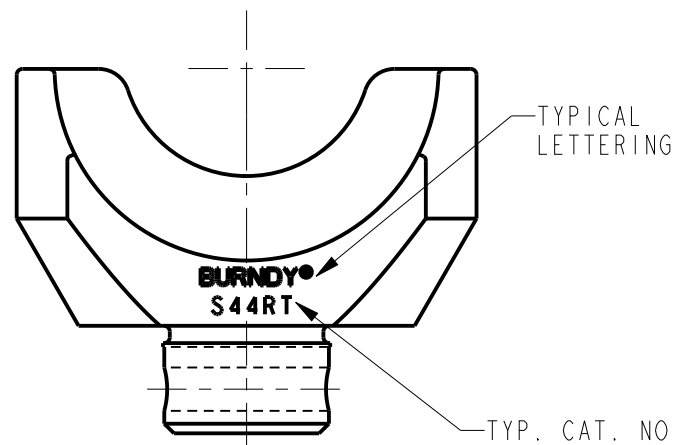


ITEM NUMBER	CATALOG NUMBER	A	B	INDEX NO.	CONDUCTOR (CU.)	
					Kcmil	STR.
413105	S39RT	.87 [22]	.35 [9]	24	750	37, 61
413115	S40RT	.85 [22]	.33 [8]	25	800	37, 61
413125	S44RT	.78 [20]	.31 [8]	27	1000	37, 61
413135	S46RT	.63 [16]	.25 [6]	31	1500	61, 91
413047	S998	.74 [19]	1.50 [38]	998	---	---
434111	S1011	.50 [13]	.20 [5]	1011	---	---

REV.	DATE	DESCRIPTION	ECO	BY	C'H'K.
A	12/12/2012 00:00:00 AM	DRAWING RELEASED	29635	YM	MB



NOTES:

- DIMENSIONS IN BRACKETS [] ARE IN MILLIMETERS ROUNDED OFF TO THE NEAREST MILLIMETER, UNLESS OTHERWISE SPECIFIED AND ARE FOR REFERENCE ONLY.
- MATERIAL: STAINLESS STEEL.

TO ORDER BURNDY® PRODUCTS CALL
 UNITED STATES:
 1-800-346-4175 (LONDONDERRY, NH)
 CANADA:
 1-800-361-6975 (QUEBEC)
 1-800-387-6487 (ALL OTHER PROVINCES)
 FOR PRODUCT INFO: <http://www.burndy.com>

CIRCULAR TWIN DIE (Y45L)	
ITEM NO:	SEE TABLE
CAT. NO:	SEE TABLE
DRAWN BY:	YUVARAJ.M 12/12/12
CHECKER:	--
DSN APPVL:	P.WASON 09/10/13
MFG APPVL:	--
QA APPVL:	CHERYL 09/20/13
MKT APPVL:	MIKE 09/07/13
PROD FAM:	--
PROJECT #:	--
DOCUMENT TYPE:	Sales
REL LEVEL:	Released
SCALE:	1:1
DRAWING NO:	50016330
REV:	A
SIZE:	B
SHEET 1 OF 1	

REV: PE0200