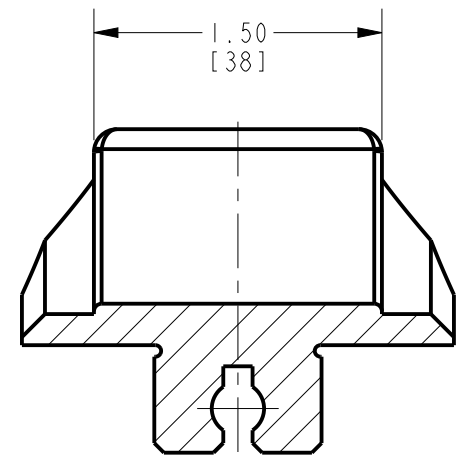
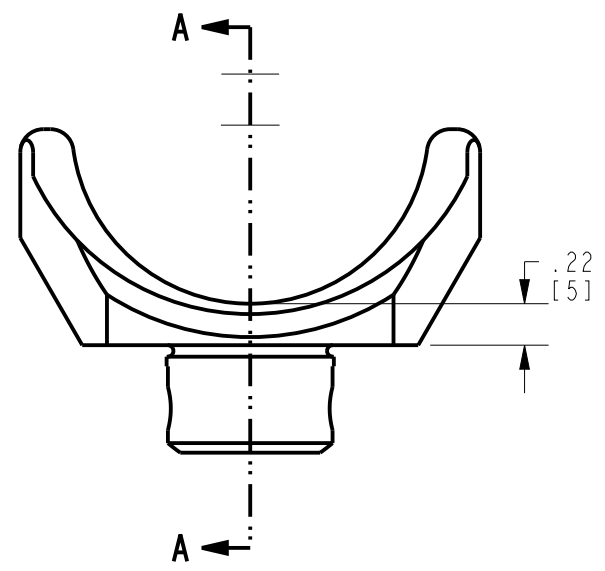
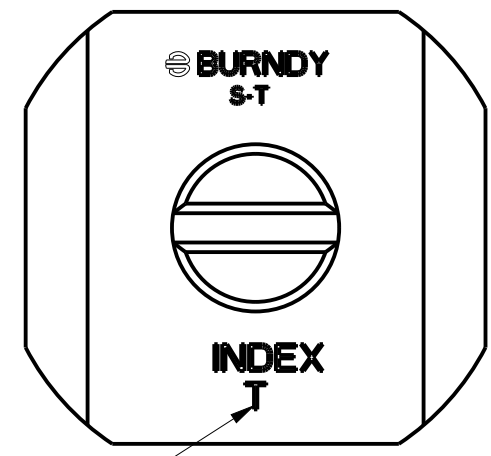
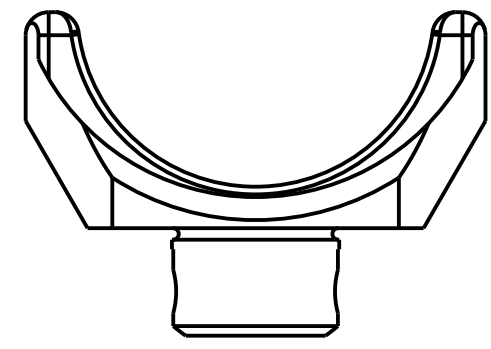


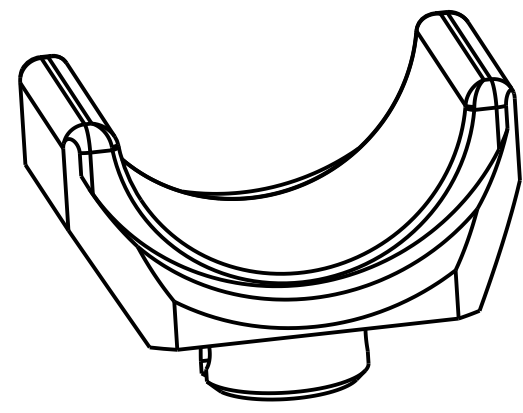
REV.	DATE	DESCRIPTION	ECO	BY	C'H'K.
A	12/12/2012 00:00:00 AM	DRAWING RELEASED	29635	YM	MB



SECTION A-A



STAMPED LETTERING



NOTES:

1. DIMENSIONS IN BRACKETS [] ARE IN MILLIMETERS ROUNDED OFF TO THE NEAREST MILLIMETER, UNLESS OTHERWISE SPECIFIED AND ARE FOR REFERENCE ONLY.
2. MATERIAL: STAINLESS STEEL.
3. TWIN DIE SET ST CONSISTS OF TWO STPI SINGLE DIES AS SHOWN.

TO ORDER BURNDY® PRODUCTS CALL
 UNITED STATES:
 1-800-346-4175 (LONDONDERRY, NH)
 CANADA:
 1-800-361-6975 (QUEBEC)
 1-800-387-6487 (ALL OTHER PROVINCES)
 FOR PRODUCT INFO: <http://www.burndy.com>

CIRCULAR TWIN DIE (Y45L)		SCALE: 1:1
ITEM NO:	413008	DRAWING NO: 50016331
CAT. NO:	ST	
DRAWN BY:	YUVARAJ.M	REV: A
CHECKER:	--	
DSN APPVL:	P.WASON	
MFG APPVL:	--	
QA APPVL:	CHERYL	
MKT APPVL:	MIKE	
PROD FAM:	Product/Tools	
PROJECT #:	--	
DOCUMENT TYPE:	Sales	
REL LEVEL:	Released	

REV: PE0200